

Job Name: 25-4731 - Mantra Journey Dispensary
 Job Location: Bardstown, KY 40004
 Contractor: Hale Contracting

Plant: 100

5/15/2026 12:11:24 PM

Tech: Jared - A

PC: T. Ryan



Structure ID: ST-2 (3)

P1 MH048BAVF

MH BASE Custom Ht F/n

- P3) 18" x 36" - CASTING HEIGHT - 5.5"
- P2) 48" - MH FLAT TOP w/18"x36" Hole F/F - 6"
- P1) 48" - MH BASE Custom Ht F/n - 22"
- 1) CASTING - HOE 580-LV F/G
- 1) 48" - Conseal CS-102 1.00"
- 1) 18" x 36" - Conseal CS-102 1.00"
- 1) DOGHOUSE INVRTD - 24"x23"
- 1) Hole - 16

0 lb
 1004 lb
 2613 lb
 514 lb
 0 lb
 0 lb
 0 lb
 0 lb
 0 lb
 Structure Total: 4131 lb

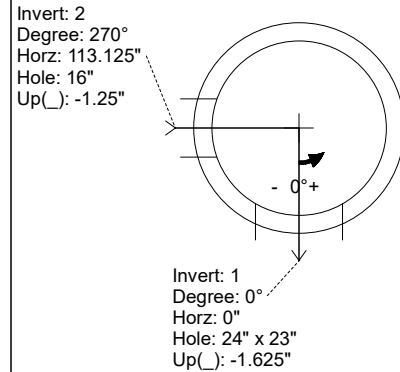
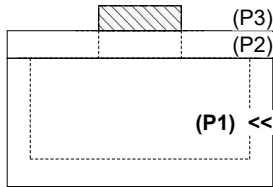
- Structure Notes:
1. PER ASTM C-478 SPECIFICATIONS
 2. CONCRETE: 4,000 PSI AT 28 DAYS
 3. REINFORCEMENT: PER ASTM A615
 4. NO STORM INVERT
 5. NO STEPS
 6. HOE 580-LV FRAME & L-VANE GRATES SUPPLIED BY ICAST

Rim: 695.8' Rim to Invert: 2.8' Slack: 0.1" Sump: 0" Step Position:

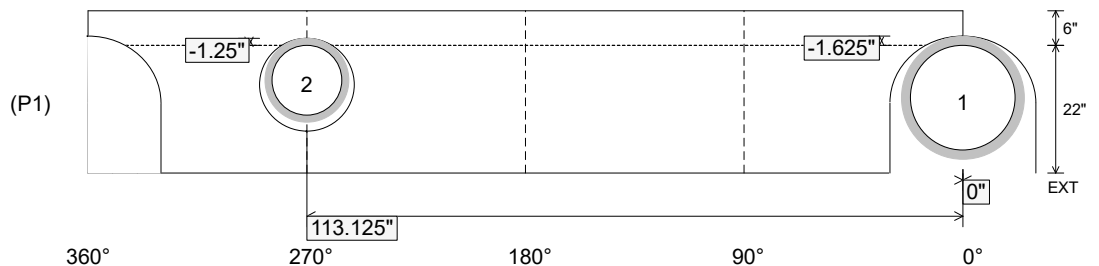
Position	Elev	Angle	Ext. (cw)	Pipe	Pipe OD	Connector	Hole	Horz Size	Up ()	Offset
Invert 1	693'	0°	0"	18" HDPE	21.2"	DOGHOUSE INVRTD 24"x23"	24" x 23"	25.133"	-1.625"	0"
Invert 2	693'	270°	136.625"	12" HDPE	14.5"	Hole 16	16"	16.312"	-1.25"	0"
Invert 3										
Invert 4										
Invert 5										
Invert 6										
Invert 7										
Invert 8										

RIGHT-SIDE UP VIEW (int. dimensions)

UPSIDE-DOWN VIEW (int. dimensions)



INSIDE WALL DIMENSIONS



Coating (Int):
 Coating (Ext):

Seam Up: Flat
 Seam Dn: n/a

Wall Thickness: 5"
 Floor Height: 6"

Height (Int): 22"
 Height (Ext): 28"

Weight (Net): 2613 lb
 Volume (Net): 0.67cu.yd