

Job Name: 25-4279 - KYTC Christian Co (251031)
 Job Location: Hopkinsville, KY
 Contractor: CITCO Water

Plant: 100
 5/8/2026 11:22:11 AM

Tech: Jared-F
 PC: C. Goff



Structure ID: VV

P1 MH060BA54CDARED

MH BASE w/ConBlock-CDA Red T/n

- P2) 60" - MH FLAT TOP w/36"x42" Hatch w/ConBlock-CDA Red F/G - 13"
- P1) 60" - MH BASE w/ConBlock-CDA Red T/n - 54"
- 1) JOINT WRAP - 0.065"x6"x50' CONSEAL CS212
- 1) JOINT WRAP PRIMER - CONSEAL CS-75 (1 gal.)
- 1) ADMIXTURE CONBLOCK CDA RED
- 1) 60" - Conseal CS-102 1.00" (Double)
- 4) Hole - 8
- 1) Hole - 4

1993 lb
 8259 lb
 0 lb
 0 lb
 0 lb
 0 lb
 0 lb
 0 lb
 0 lb
 0 lb
 Structure Total: 10251 lb

Structure Notes:
 1. PER ASCTM C478 SPECIFICATIONS.
 2. CONCRETE = 4,500 PSI AT 28 DAYS.
 3. NO STEPS.
 4. ADMIXTURE = CONBLOCK CDA RED.
 5. ALUMINUM HATCH SUPPLIED BY OTHERS & CAST IN TOP SLAB BY ICAST. CENTERED LOCATION TO BE VERIFIED.

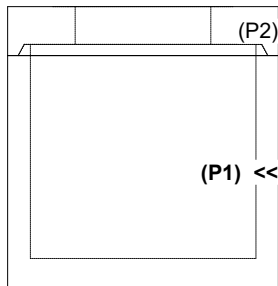
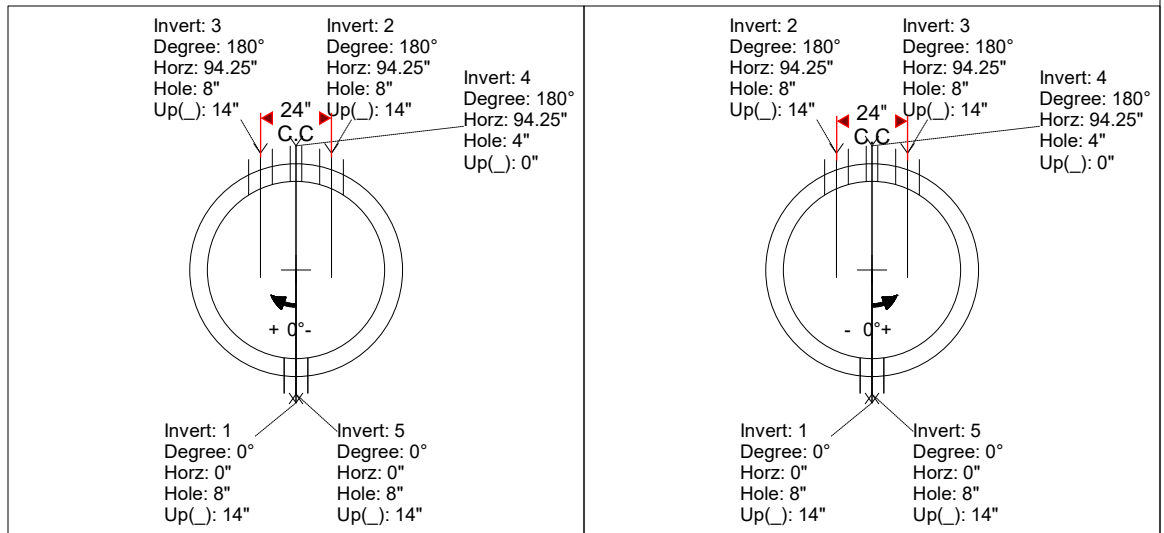
REINFORCING PER ASTM A615 (GRADE 60)
 - TOP SLAB (As .62) #5 BARS AT 6" C.C.E.W.
 - RISER/WALLS (As .18)
 - FLOOR (As .31) #5 BARS AT 12" C.C.E.W.

Rim: 565' Rim to Invert: 5.917' Slack: 5.004" Sump: 1" Step Position:

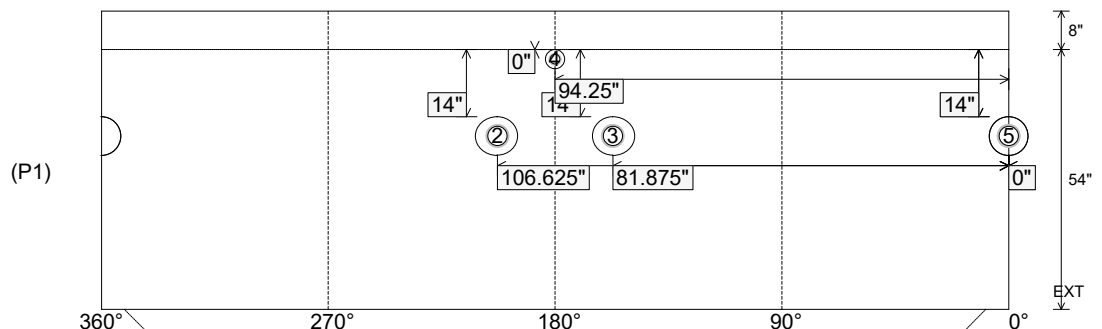
Position	Elev	Angle	Ext. (cw)	Pipe	Pipe OD	Connector	Hole	Horz Size	Up ()	Offset
Invert 1	560.33'	0°	0"	4" DI	4.75"	Hole 8	8"	8.024"	14"	0"
Invert 2	560.33'	180°	125.375"	4" DI	4.75"	Hole 8	8"	8.778"	14"	12"
Invert 3	560.33'	180°	100.875"	4" DI	4.75"	Hole 8	8"	8.778"	14"	-12"
Invert 4	559.083'	180°	113.125"	2" DI	2.5"	Hole 4	4"	4.003"	0"	0"
Invert 5	560.33'	0°	0"	4" DI	4.75"	Hole 8	8"	8.024"	14"	0"
Invert 6										
Invert 7										
Invert 8										

RIGHT-SIDE UP VIEW (int. dimensions)

UPSIDE-DOWN VIEW (int. dimensions)



INSIDE WALL DIMENSIONS



Coating (Int):
 Coating (Ext):

Seam Up: Tongue
 Seam Dn: n/a

Wall Thickness: 6"
 Floor Height: 8"

Height (Int): 54"
 Height (Ext): 62"

Weight (Net): 8259 lb
 Volume (Net): 2.11cu.yd