

Job Name: 25-3600 Signet FCU
 Job Location: Paducah, KY
 Contractor: Ainsworth Land Development, LLC

Plant: Beaver Dam
 5/8/2026 12:16:34 PM

Tech: S. Felletter
 PC: T. Lewis



Structure ID: DB4

P2 BX024024-08LD08-14

CB FLAT TOP 8"W (HOE KY-215 F&G) F/F

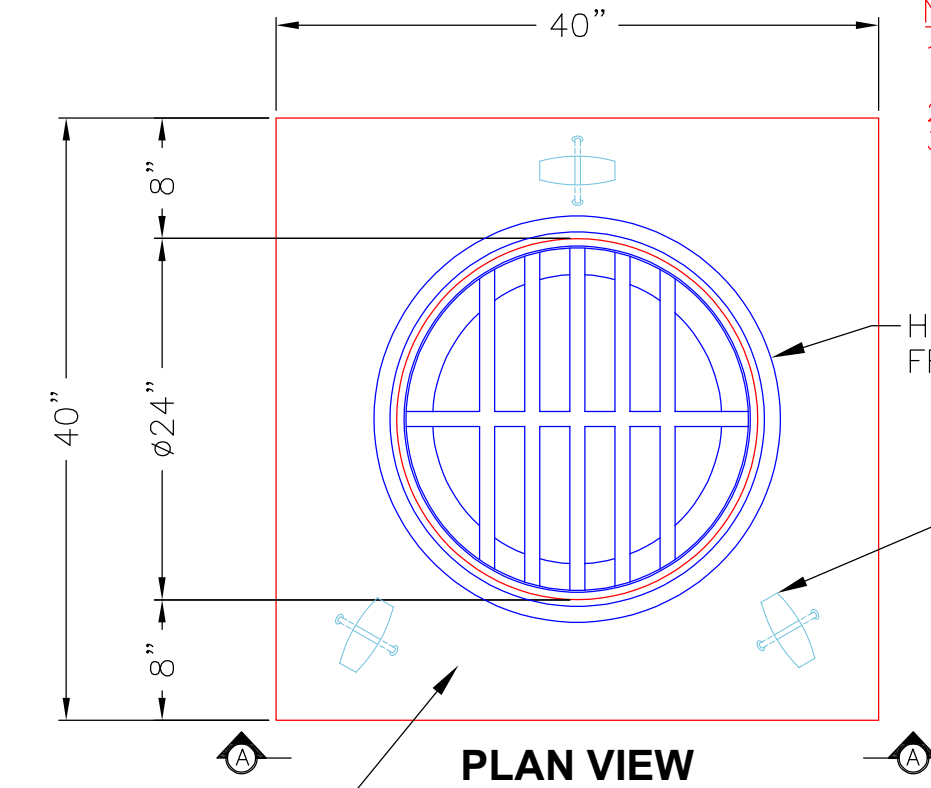
- P2) 24" x 24" - CB FLAT TOP 8"W (HOE KY-215 F&G) F/F - 8"
 P1) 24" x 24" - BOX BASE 8inW, 8inF, Variable Ht F/n - 29"
 1) This Structure Includes a Cast-in Item
 1) CASTING - HOE KY-215 F/BEEHIVE (DBI 15)
 1) 24" x 24" - Conseal CS-102 1.00"
 2) Hole - 20
 1) Hole - 8

770 lb
 3137 lb
 0 lb
 317 lb
 0 lb
 0 lb
 0 lb
 0 lb

Structure Total: 4224 lb

- Structure Notes:**
 1. KYTC DBI TYPE 15 / ASTM C913 SPECIFICATIONS
 2. CONCRETE = 4,000 PSI AT 28 DAYS.
 3. NO INVERT CHANNEL.
 4. DBI-15 F/G CAST INTO TOP SLAB (HOE KY-215 F/G BEEHIVE).

REINFORCING PER ASTM A615 (GRADE 60).
 - TOP SLAB (As .62) #5 BARS AT 6" C.C.E.W.
 - WALLS (As .31) #5 BARS AT 12" C.C.E.W.
 - FLOOR (As .31) #5 BARS AT 12" C.C.E.W.



PLAN VIEW

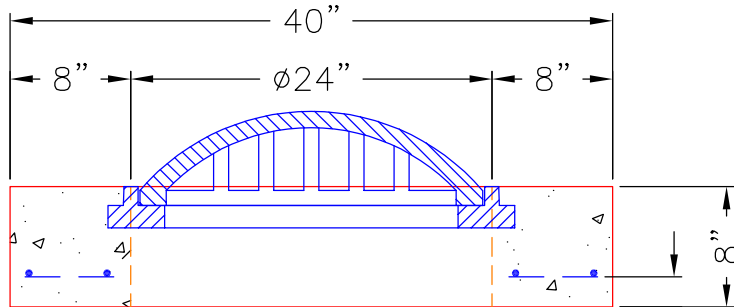
BRUSHED FINISH

NOTES:

1. MANUFACTURED TO ASTM C-913 (LATEST REVISION).
2. CONCRETE: 4,000 PSI AT 28 DAYS.
3. REINFORCING: #5 BAR @ 6" C.C. E.W. (GRADE 60).

HOE KY-215 BH $\phi 24$ "
 FRAME CAST-IN AS SHOWN

3 EA. CONAC 5CA14
 A-ANCHORS FOR HANDLING.



TOP VIEW

2" CLR. MIN.

Coating (Int):
 Coating (Ext):

Seam Up: Flat
 Seam Dn: Flat

Wall Thickness: 8"

Height (Ext): 8"

Weight (Net): 770 lb
 Volume (Net): 0.2cu.yd