

Job Name: 25-3600 Signet FCU  
 Job Location: Paducah, KY  
 Contractor: Ainsworth Land Development, LLC

Plant: Beaver Dam  
 5/8/2026 8:06:41 AM

Tech: S. Felletter  
 PC: T. Lewis



**Structure ID: DB3**

**P2 BX024024-08LD08-14**

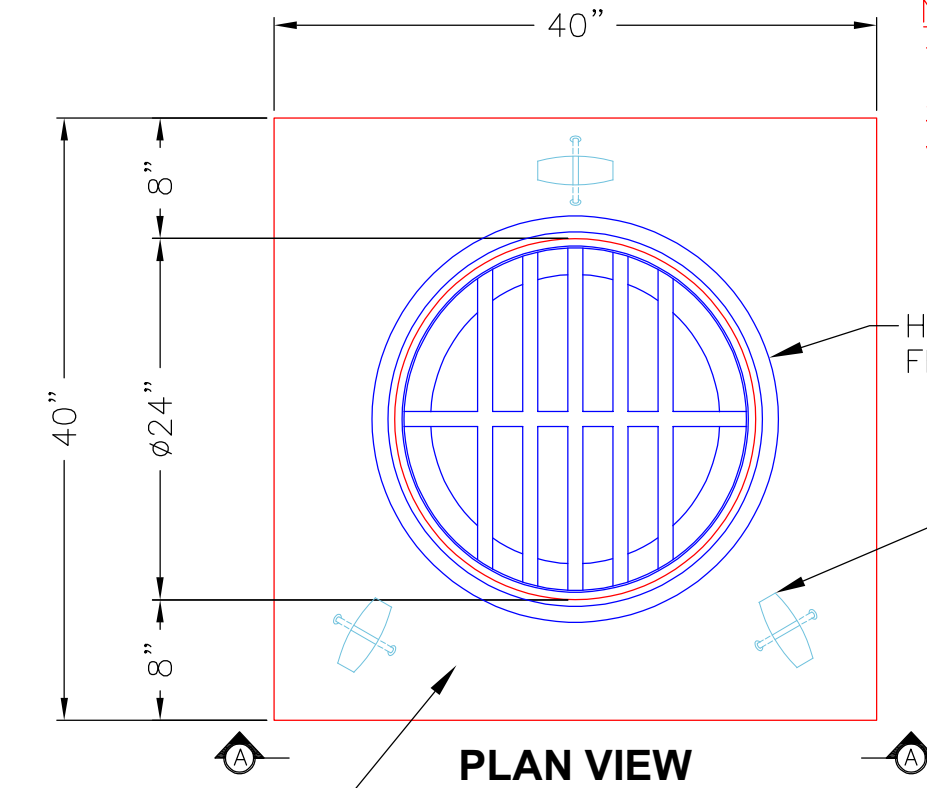
**CB FLAT TOP 8"W (HOE KY-215 F&G) F/F**

P2) 24" x 24" - CB FLAT TOP 8"W (HOE KY-215 F&G) F/F - 8"  
 P1) 24" x 24" - BOX BASE 8inW, 8inF, Variable Ht F/n - 31"  
 1) This Structure Includes a Cast-in Item  
 1) CASTING - HOE KY-215 F/BEEHIVE (DBI 15)  
 1) 24" x 24" - Conseal CS-102 1.00"  
 2) Hole - 20

770 lb  
 3316 lb  
 0 lb  
 317 lb  
 0 lb  
 0 lb  
 -----  
 Structure Total: 4403 lb

**Structure Notes:**  
 1. KYTC DBI TYPE 15 / ASTM C913 SPECIFICATIONS  
 2. CONCRETE = 4,000 PSI AT 28 DAYS.  
 3. NO INVERT CHANNEL.  
 4. DBI-15 F/G CAST INTO TOP SLAB (HOE KY-215 F/G BEEHIVE).

REINFORCING PER ASTM A615 (GRADE 60).  
 - TOP SLAB (As .62) #5 BARS AT 6" C.C.E.W.  
 - WALLS (As .31) #5 BARS AT 12" C.C.E.W.  
 - FLOOR (As .31) #5 BARS AT 12" C.C.E.W.



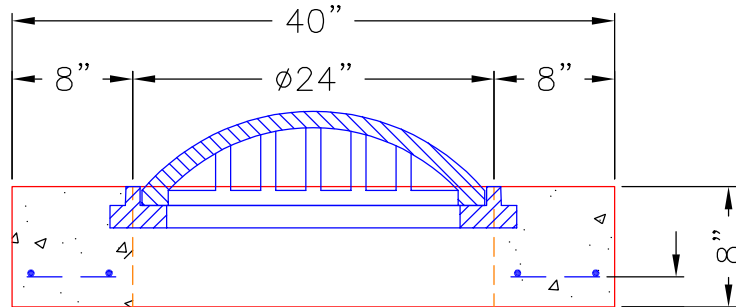
**NOTES:**

1. MANUFACTURED TO ASTM C-913 (LATEST REVISION).
2. CONCRETE: 4,000 PSI AT 28 DAYS.
3. REINFORCING: #5 BAR @ 6" C.C. E.W. (GRADE 60).

HOE KY-215 BH  $\phi 24$ "  
 FRAME CAST-IN AS SHOWN

3 EA. CONAC 5CA14  
 A-ANCHORS FOR HANDLING.

BRUSHED FINISH



**TOP VIEW**

Coating (Int):  
 Coating (Ext):

Seam Up: Flat  
 Seam Dn: Flat

Wall Thickness: 8"

Height (Ext): 8"

Weight (Net): 770 lb  
 Volume (Net): 0.2cu.yd