

Structure ID: 123

P1 MH048BAVF

MH BASE Custom Ht T/n

P3) 24" - CASTING HEIGHT - 4" P2) 48" - MH FLAT LID w/24in ECC Hole F/G - 12" P1) 48" - MH BASE Custom Ht T/n - 44" 1) 48" - Conseal CS-102 1.00" 2) Hole - 20 1) Hole - 18 3) MH Step ML-10-TDS-NCR - 10"	0 lb 1561 lb 4024 lb 0 lb 0 lb 0 lb 0 lb ----- 5585 lb	Structure Notes: **KYTC STATE PROJECT** 1. PER KYTC MANHOLE TYPE A / ASTM C-478 SPECS 2. CONCRETE: 4,000 PSI AT 28 DAYS 3. REINFORCEMENT: PER ASTM A615 4. NO STORM INVERT 5. STEPS AT 90 DEGREES 6. HOE KY-206 FRAME & COVER "STORM" SUPPLIED BY OTHERS
--	--	---

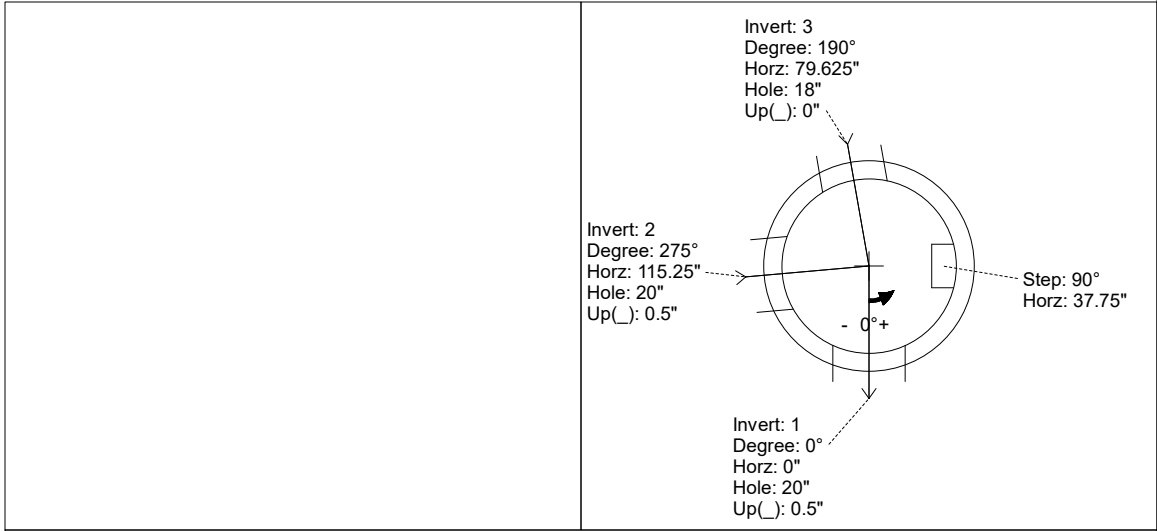
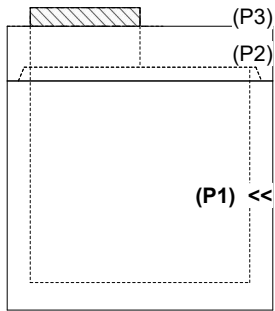
Structure Total: 5585 lb

Rim: 566.52' Rim to Invert: 4.75' Slack: 0" Sump: 3" Step Position: 0°

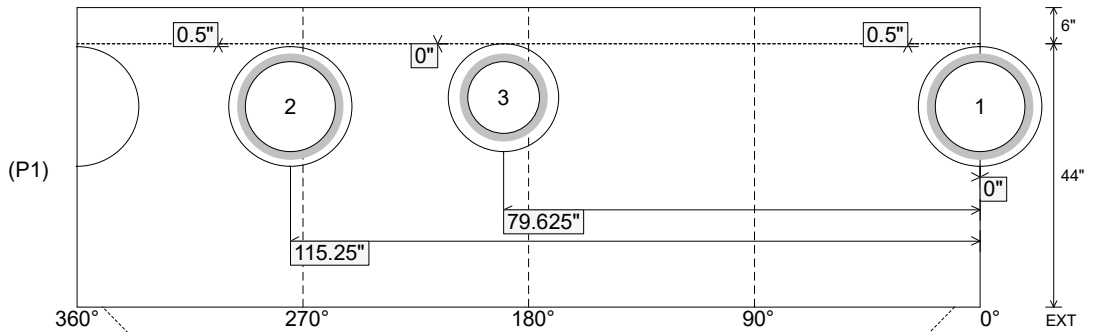
Position	Elev	Angle	Ext. (cw)	Pipe	Pipe OD	Connector	Hole	Horz Size	Up ()	Offset
Invert 1	561.77'	0°	0"	15" HDPE	17.6"	Hole 20	20"	20.629"	0.5"	0"
Invert 2	561.77'	275°	139.25"	15" HDPE	17.6"	Hole 20	20"	20.629"	0.5"	0"
Invert 3	561.77'	190°	96.125"	12" HDPE	14.5"	Hole 18	18"	18.451"	0"	0"
Invert 4										
Invert 5										
Invert 6										
Invert 7										
Invert 8										

RIGHT-SIDE UP VIEW (int. dimensions)

UPSIDE-DOWN VIEW (int. dimensions)



INSIDE WALL DIMENSIONS



Coating (Int): Coating (Ext):	Seam Up: Tongue Seam Dn: n/a	Wall Thickness: 5" Floor Height: 6"	Height (Int): 44" Height (Ext): 50"	Weight (Net): 4024 lb Volume (Net): 1.03cu.yd
----------------------------------	---------------------------------	--	--	--