

Structure ID: CB11 - add 48in HT Riser

P2 BX2864-06R48

BOX RISER 6inW F/F

P3) 28" x 64" - CASTING HEIGHT - 6" P2) 28" x 64" - BOX RISER 6inW F/F - 48" P1) 28" x 64" - BOX BASE 6inW, 6inF, Variable Ht, No tongue F/n - 25" 1) CASTING - JBS 3101 Double Set (F/G/H) 2) 28" x 64" - Conseal CS-102 1.00" 1) Hole - 22 2) LINTEL BAR SLOT n/n - 7"x1"	0 lb 5020 lb 3957 lb 1238 lb 0 lb 0 lb 0 lb ----- Structure Total: 10215 lb
---	---

Structure Notes:

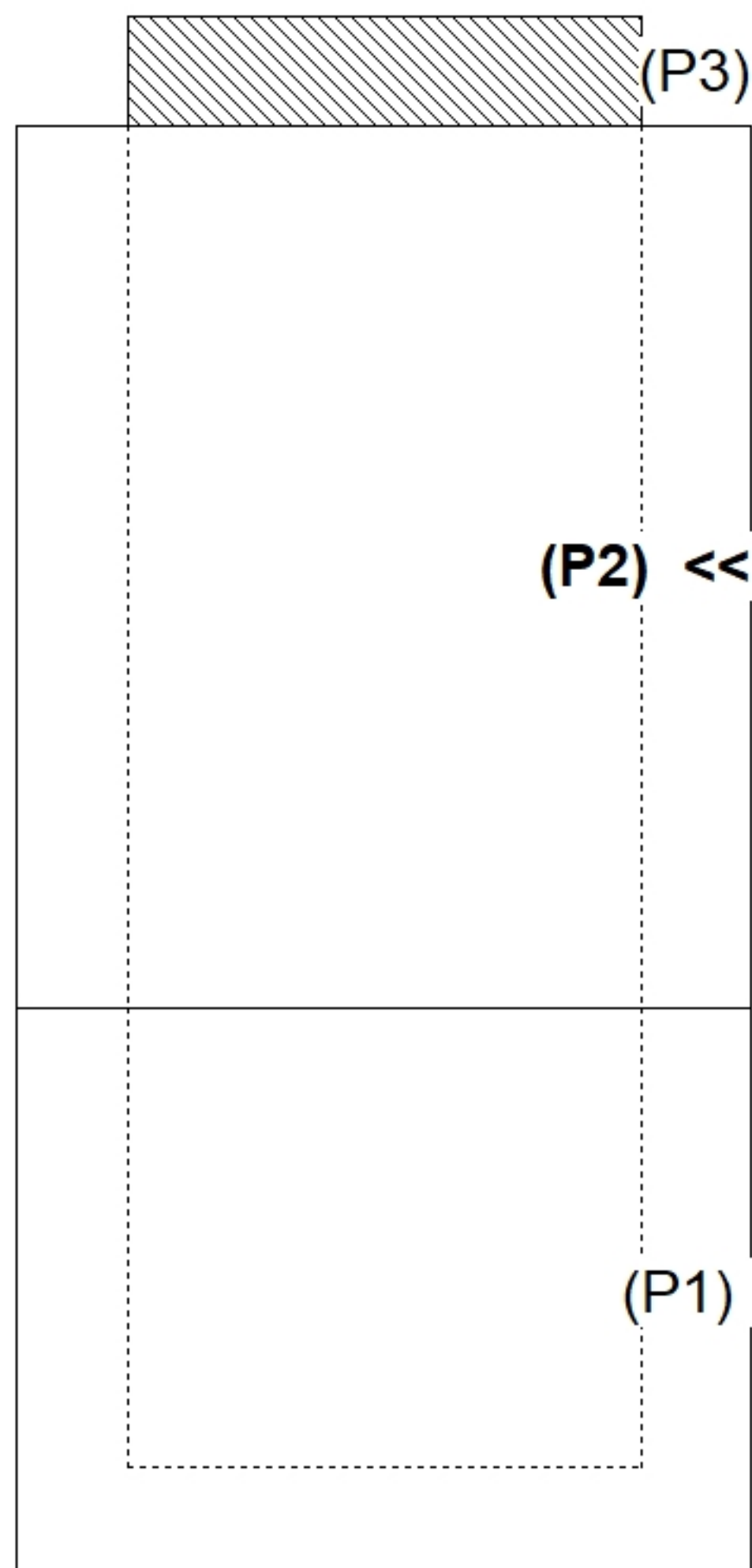
1. PER ASTM C913 SPECIFICATIONS.
2. CONCRETE = 4,000 PSI AT 28 DAYS.
3. NO INVERT CHANNEL.
4. CASTING BY ICAST (2ea. JBS 3101 F/G/H)

REINFORCING PER ASTM A615 (GRADE 60).
 - WALLS (As .31) #5 BARS AT 12" C.C.E.W.
 - FLOOR (As .31) #5 BARS AT 12" C.C.E.W.

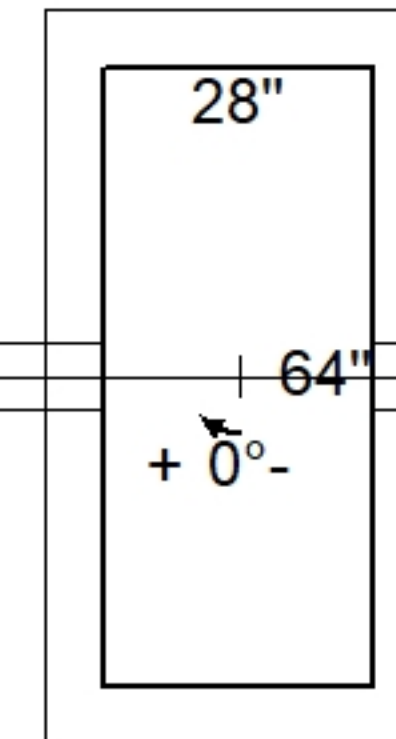
Rim: 571.83' Rim to Invert: 6.43' Slack: 0.416" Sump: 2.256" Step Position:

Position	Elev	Angle	Ext. (cw)	Pipe	Pipe OD	Connector	Hole	Horz Size	Up ()	Offset
Invert 1										
Invert 2										
Invert 3	571.21'	90°	38"	7" x 1" LINTEL BAR SLOT	7" x 1"	LINTEL BAR SLOT 7"x1"	7" x 1"	7"	47"	0"
Invert 4	571.21'	270°	38"	7" x 1" LINTEL BAR SLOT	7" x 1"	LINTEL BAR SLOT 7"x1"	7" x 1"	7"	47"	0"
Invert 5										
Invert 6										
Invert 7										
Invert 8										

RIGHT-SIDE UP VIEW (int. dimensions)

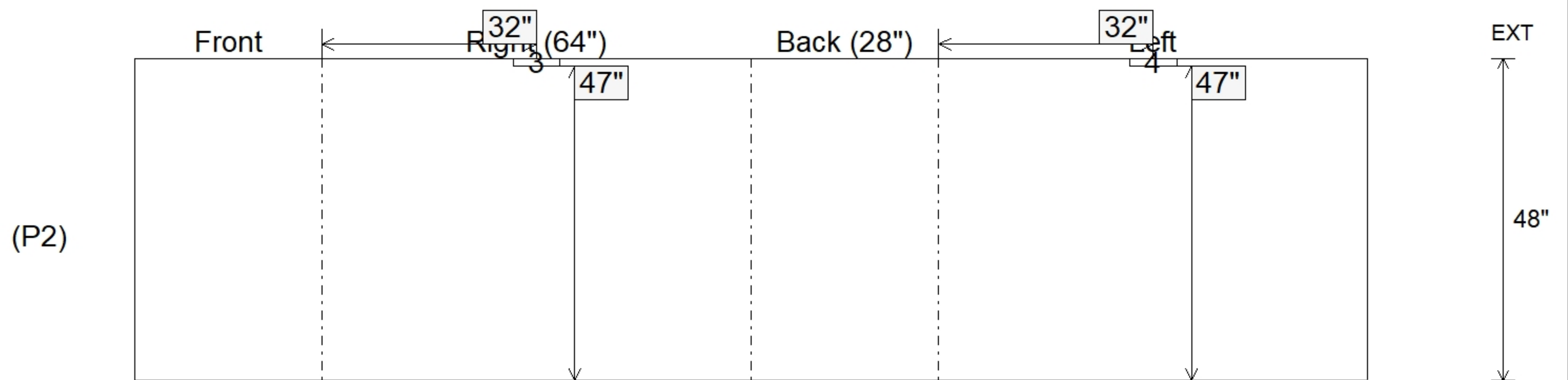


Invert: 3
 Degree: 90°
 Horz: 32"
 Hole: 7" x 1"
 Up(): 47"



Invert: 4
 Degree: 270°
 Horz: 32"
 Hole: 7" x 1"
 Up(): 47"

INSIDE WALL DIMENSIONS



Coating (Int):	Seam Up: Flat Seam Dn: Flat	Wall Thickness: 6" Floor Height: 0"	Height (Int): 48" Height (Ext): 48"
Coating (Ext):			Weight (Net): 5020 lb Volume (Net): 1.28cu.yd