

Job Name: 26-2274 900555 Little Caesar Pizza Harrisonville
 Job Location: Harrisonville, MO
 Contractor: Contech Engineering Solutions

Plant: Beaver Dam

Tech: S. Felletter

5/8/2026 10:35:24 AM

PC: C. Goff



Structure ID: 10-CS-4

P2 MH048RSVF

MH RISER Custom Ht T/G

- P4) 24" x 24" - CASTING HEIGHT - 4"
- P3) 48" - MH FLAT TOP w/24"x24" Hole F/G - 12"
- P2) 48" - MH RISER Custom Ht T/G - 59"
- P1) 48" - MH BASE T/n - 36"
- 1) ASSEMBLY REQUIRED
- 1) CVSTENCILING
- 2) 48" - Conseal CS-102 1.00"
- 1) 24" x 24" - Conseal CS-102 1.00"
- 1) Hole - 24"

- 0 lb
- 1500 lb
- 3924 lb
- 3845 lb
- 0 lb
- 0 lb
- 0 lb
- 0 lb
- 0 lb
- 0 lb

Structure Total: 9270 lb

Structure Notes:
 4" CASTING BY OTHERS

 LIFTING ANCHORS TO BE INSTALLED ON THE OUTSIDE OF THE STRUCTURE

 ICAST TO INSTALL THE INTERNALS

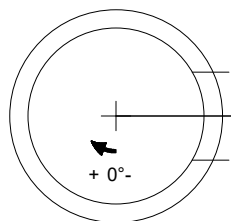
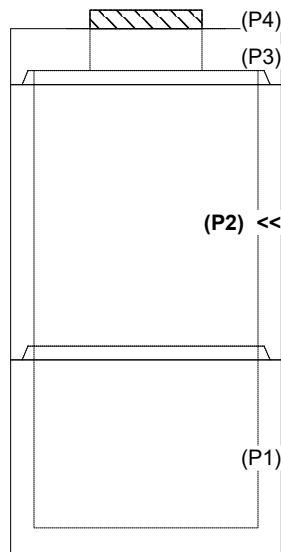
 CONTECH'S LOGO AS WELL AS THE INLET AND OUTLET MUST BE STENCILED ONTO THE STRUCTURE

 BASE AND RISER TO BE MECHANICALLY ATTACHED PRIOR TO INSTALL OF INTERNALS

Rim: 943.81' Rim to Invert: 5.31' Slack: 0.72" Sump: 48" Step Position:

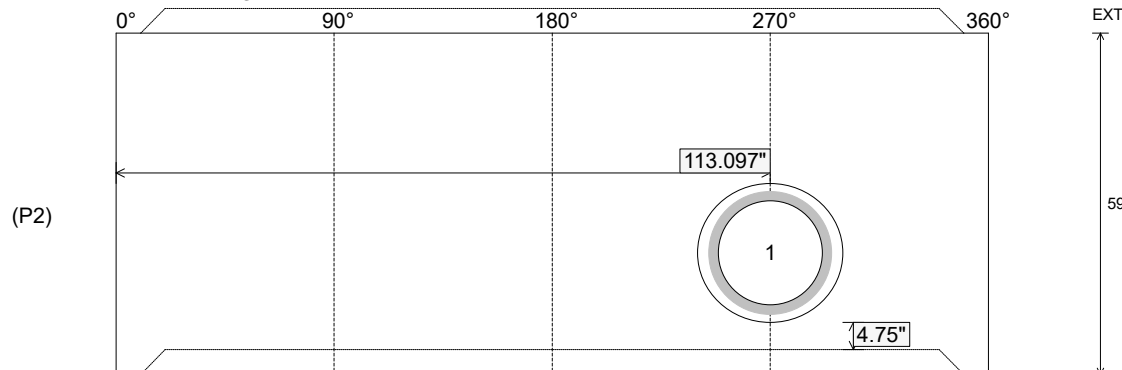
Position	Elev	Angle	Ext. (cw)	Pipe	Pipe OD	Connector	Hole	Horz Size	Up ()	Offset
Invert 1	938.5'	270°	136.659"	18" HDPE	21.2"	Hole 24	24"	25.133"	4.75"	0"
Invert 2										
Invert 3										
Invert 4										
Invert 5										
Invert 6										
Invert 7										
Invert 8										

RIGHT-SIDE UP VIEW (int. dimensions)



Invert: 1
 Degree: 270°
 Horz: 113.097"
 Hole: 24"
 Up(): 4.75"

INSIDE WALL DIMENSIONS



Coating (Int):
 Coating (Ext):

Seam Up: Tongue
 Seam Dn: Groove

Wall Thickness: 5"
 Floor Height: 0"

Height (Int): 59"
 Height (Ext): 59"

Weight (Net): 3924 lb
 Volume (Net): 1cu.yd