

Job Name: 26-1232 - Mustang Village Apartments Ph.1  
 Job Location: Paducah, KY  
 Contractor: Wood Brothers

Plant: 100  
 4/21/2026 8:03:23 PM

Tech: Jared - F  
 PC: T. Lewis



**Structure ID: S36-36 ST-DBI**

**P1 BX2424-08BA30**

**BOX BASE 8inW, 8inF F/n**

- P2) 24" x 24" - CASTING HEIGHT - 0"
- P1) 24" x 24" - BOX BASE 8inW, 8inF F/n - 30"
- 1) CASTING - HOE HOE-315 ANGLE F/G
- 1) 24" x 24" - Conseal CS-102 1.00"
- 1) Hole - 14

0 lb  
 3506 lb  
 258 lb  
 0 lb  
 0 lb  
 -----  
 0 lb  
 Structure Total: 3764 lb

- Structure Notes:
1. PER ASTM C913 SPECIFICATIONS.
  2. CONCRETE = 4,000 PSI AT 28 DAYS.
  3. NO STEPS AND NO INVERT CHANNEL.
  4. CASTING BY ICAST (HOE-315 ANGLE F/G)

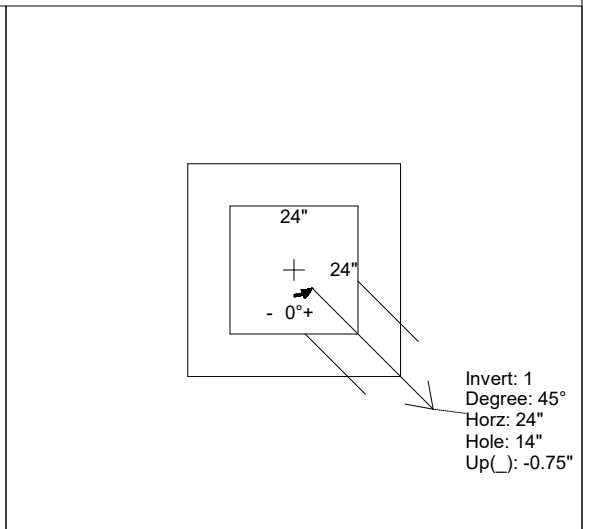
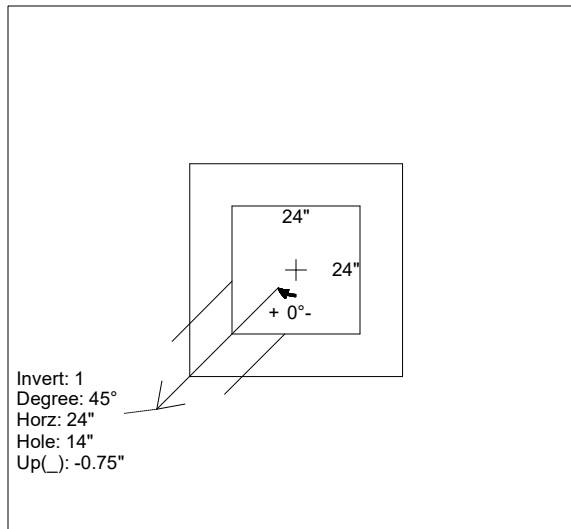
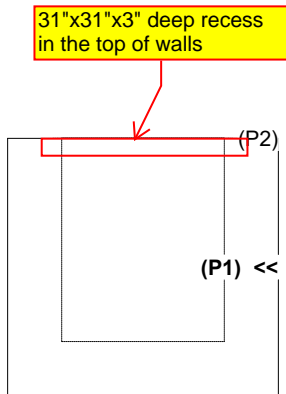
REINFORCING PER ASTM A615 (GRADE 60).  
 - WALLS (As .12) #5 BARS AT 12" C.C.E.W.  
 - FLOOR (As .12) #5 BARS AT 12" C.C.E.W.

Rim: 383.7' Rim to Invert: 2.5' Slack: 0" Sump: 0" Step Position:

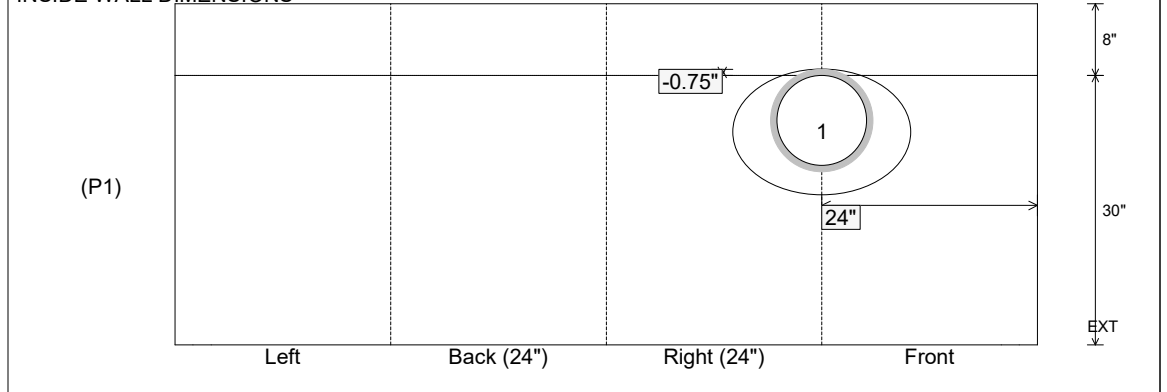
Position	Elev	Angle	Ext. (cw)	Pipe	Pipe OD	Connector	Hole	Horz Size	Up ( )	Offset
Invert 1	381.2'	45°	40"	10" HDPE	11.4"	Hole 14	14"	9.899", 9.899"	-0.75"	0"
Invert 2										
Invert 3										
Invert 4										
Invert 5										
Invert 6										
Invert 7										
Invert 8										

RIGHT-SIDE UP VIEW (int. dimensions)

UPSIDE-DOWN VIEW (int. dimenions)



INSIDE WALL DIMENSIONS



Coating (Int):  
 Coating (Ext):

Seam Up: Flat  
 Seam Dn: n/a

Wall Thickness: 8"  
 Floor Height: 8"

Height (Int): 30"  
 Height (Ext): 38"

Weight (Net): 3506 lb  
 Volume (Net): 0.9cu.yd