


Job Name: 25-3579 - Lebanon Rd Clarks Run Trunk Sewer Ph 2	Plant: 100	Tech: J. Horsley	
Job Location: Danville, KY Contractor: Hubert Excavating & Contracting	6/3/2026 3:01:27 PM	PC: C. Goff	

Structure ID: MH A8

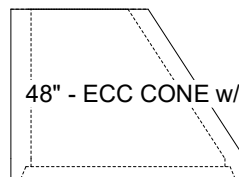
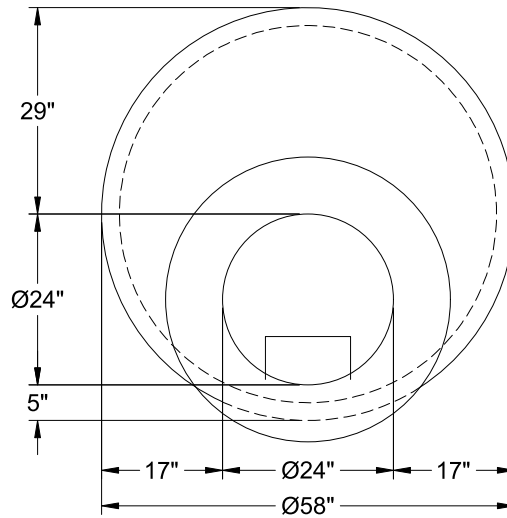
P4 MH048CN42SP

ECC CONE w/ 24" HOLE, w/Coating F/G

P5) 24" - CASTING HEIGHT - 7"	0 lb
P4) 48" - ECC CONE w/ 24" HOLE, w/Coating F/G - 42"	3116 lb
P3) 48" - MH RISER w/COATING T/G - 72"	5030 lb
P2) 60" - MH Trans. Slab - 48" Hole ECC, w/Coating T/G - 13"	1928 lb
P1) 60" - MH BASE w/FLANGE (08F/07EF) w/Coating T/n - 70"	10274 lb
1) JOINT WRAP - 12" WD x 060" MAC WRAP	0 lb
1) 60" - MH INVERT CHANNEL - FULL HEIGHT	2692 lb
1) SPECIAL EXTERNAL COATING - Carboline 300M	0 lb
1) SECONDARY POUR - Extended Flange	0 lb
2) JOINT WRAP - 12" WD x 048" MAC WRAP	0 lb
1) 60" - Conseal CS-102 1.00" (Double)	0 lb
2) 48" - Conseal CS-102 1.00" (Double)	0 lb
1) 24" - Conseal CS-102 1.00" (Double)	0 lb
2) A-Lok - 1040	2 lb
16) MH Step ML-10-TDS-NCR - 10"	0 lb
308.6 SqFt) Carboline Bitumastic 300M [EXT]	0 lb
Structure Total:	23043 lb

Structure Notes:

1. PER ASTM C-478 SPECIFICATIONS
2. CONCRETE: 4,000 PSI AT 28 DAYS
3. REINFORCEMENT: PER ASTM A615
4. CARBOLINE 300M EXTERIOR COATING REQUIRED
5. STEPS REQUIRED
6. HOE MC-375 FRAME & COVER "SANITARY" SUPPLIED BY OTHERS



48" - ECC CONE w/ 24" HOLE, w/Coating F/G - 42" - (P4)

Coating (Int): Coating (Ext): Carboline Bitumastic 300M	Seam Up: Flat Seam Dn: Groove	Wall Thickness: 5"	Height (Ext): 42"	Weight (Net): 3116 lb Volume (Net): 0.8cu.yd
--	----------------------------------	--------------------	-------------------	---

Job Number:

25-3579

Job Name:

Lebanon Rd Clarks Run Trunk Sewer
Ph 2

Structure:

MH A8

Note:

This Structure Is To Receive An
External Coating of Carboline 300M
(Supplied By iCast)