

Job Name: 25-2898 - Hunter's Ridge Ph.1	Plant: 100	Tech: Jared - A	
Job Location: Owensboro, KY	5/29/2026 8:44:07 AM	PC: A. Chambers	
Contractor: Ernie Davis & Sons Mechanical, Inc.			

**Structure ID: AC-2**

**P1 BX2436-08BVF**

**BOX BASE 8inW, 8inF, Variable Ht F/n**

P2) 24" x 36" - CASTING HEIGHT - 6"  
P1) 24" x 36" - BOX BASE 8inW, 8inF, Variable Ht F/n - 32"  
1) 24" x 36" - Conseal CS-102 1.00"  
1) Hole - 22

0 lb  
4406 lb  
0 lb  
0 lb  
-----  
Structure Total: 4406 lb

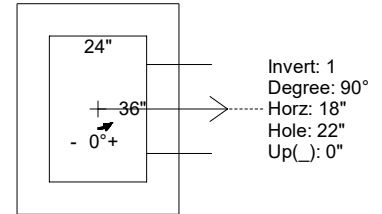
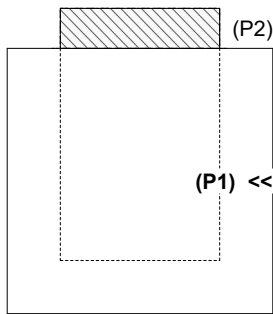
- Structures Notes:**
1. PER ASTM C-913 SPECIFICATIONS
  2. CONCRETE: 4,000 PSI AT 28 DAYS
  3. REINFORCEMENT: #5 BAR @ 12" C.C. E.W. (GRADE 60) - 2" MIN. REBAR CLEARANCE (TYP)
  4. NO STORM INVERT
  5. NO STEPS
  6. HOE-525 FRAME, GRATE, & CURB HOOD SUPPLIED BY OTHERS

Rim: 442.42' Rim to Invert: 3' Slack: 0.25" Sump: 2.25" Step Position:

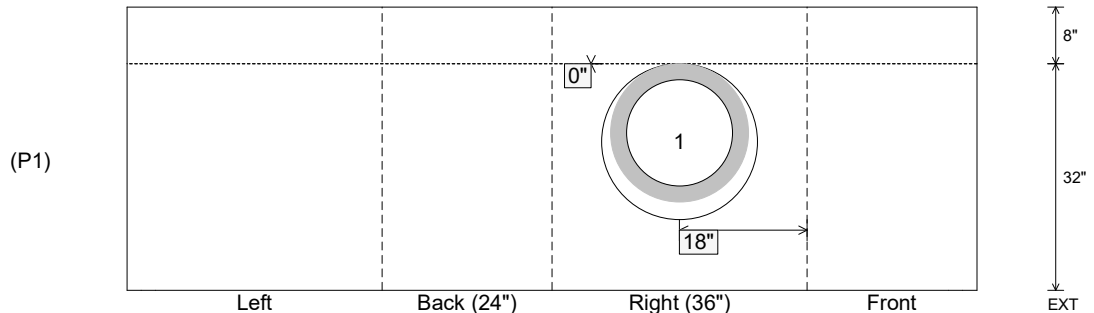
Position	Elev	Angle	Ext. (cw)	Pipe	Pipe OD	Connector	Hole	Horz Size	Up ( )	Offset
Invert 1	439.42'	90°	26"	15" RCP B WALL	19.5"	Hole 22	22"	22"	0"	0"
Invert 2										
Invert 3										
Invert 4										
Invert 5										
Invert 6										
Invert 7										
Invert 8										

RIGHT-SIDE UP VIEW (int. dimensions)

UPSIDE-DOWN VIEW (int. dimenions)



INSIDE WALL DIMENSIONS



Coating (Int): Coating (Ext):	Seam Up: Flat Seam Dn: n/a	Wall Thickness: 8" Floor Height: 8"	Height (Int): 32" Height (Ext): 40"	Weight (Net): 4406 lb Volume (Net): 1.12cu.yd
----------------------------------	-------------------------------	--	--	--