

Job Name: 26-2324 880717 Shepper & Converse Ave
 Job Location: Plain City, OH
 Contractor: Contech Engineering Solutions

Plant: Beaver Dam

Tech: S. Felletter

5/13/2026 11:55:20 AM

PC: C. Goff



Structure ID: 10-CS-8

P4 MH096LD17SP

MH FLAT TOP SPEC. (2 - 24"Ø HOLES) F/G

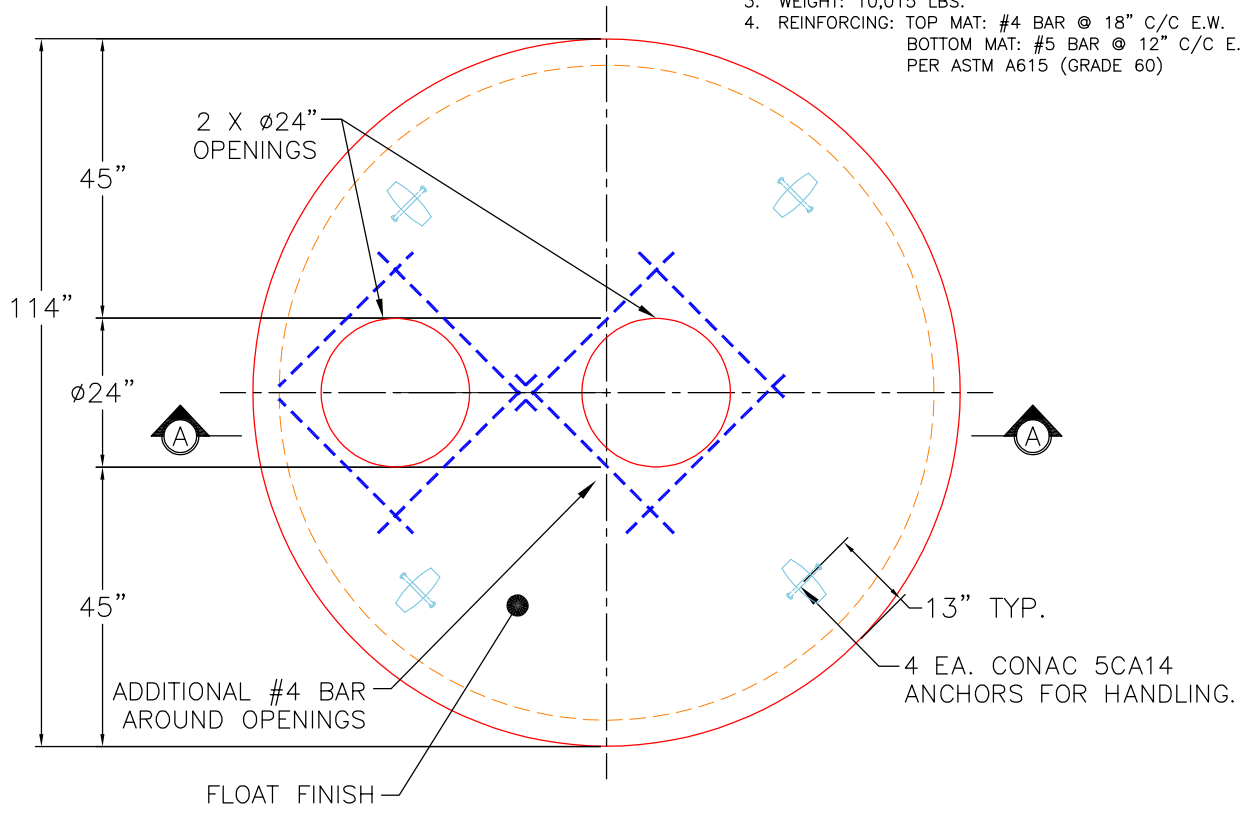
- P5) 24" - CASTING HEIGHT - 4"
- P4) 96" - MH FLAT TOP SPEC. (2 - 24"Ø HOLES) F/G - 17"
- P3) 96" - MH RISER T/G - 36"
- P2) 96" - MH RISER T/G - 72"
- P1) 96" - MH MONOBASE 13F, Custom Ht T/n - 24"
- 1) CVSTENCILING
- 1) ASSEMBLY REQUIRED
- 3) 96" - Conseal CS-102 1.00"
- 2) Hole - 36

Structure Notes:
 4" CASTING BY OTHERS
 LIFTING ANCHORS TO BE INSTALLED ON THE OUTSIDE OF THE STRUCTURE
 ICAST TO INSTALL INTERNALS
 CONTECH'S LOGO AS WELL AS THE INLET AND OUTLET MUST BE STENCILED ONTO THE STRUCTURE
 P2 & P3 RISERS TO BE MECHANICALLY ATTACHED PRIOR TO INSTALL

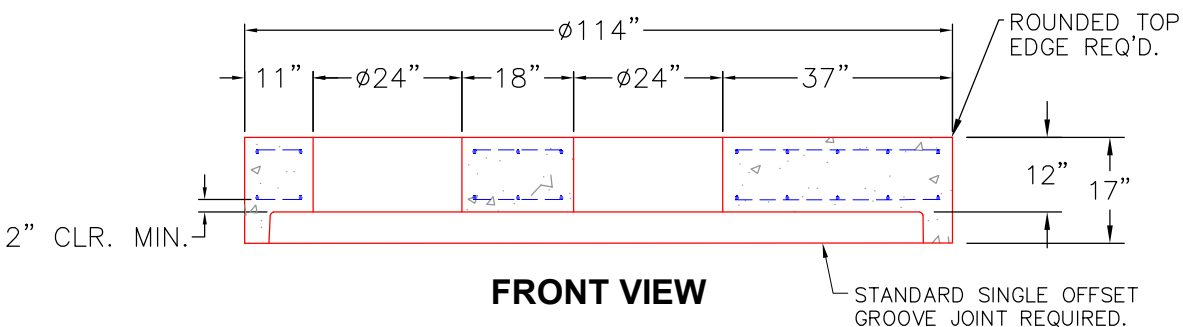
Structure Total: 52463 lb

GENERAL NOTES:

1. MANUFACTURED TO ASTM C-478 (LATEST REVISION).
2. CONCRETE 5,000 PSI AT 28 DAYS.
3. WEIGHT: 10,015 LBS.
4. REINFORCING: TOP MAT: #4 BAR @ 18" C/C E.W.
 BOTTOM MAT: #5 BAR @ 12" C/C E.W.
 PER ASTM A615 (GRADE 60)



PLAN VIEW



FRONT VIEW

Coating (Int): Coating (Ext):	Seam Up: Flat Seam Dn: Groove	Wall Thickness: 9"	Height (Ext): 17"	Weight (Net): 10015 lb Volume (Net): 2.56cu.yd
----------------------------------	----------------------------------	--------------------	-------------------	---