

Job Name: 26-1487 - Ford LAP
 Job Location: Louisville, KY
 Contractor: Barton Malow Company

Plant: 100

5/6/2026 8:48:28 AM

Tech: J. Horsley

PC: E. Bradley



Structure ID: TY 1 DHMH WEST SIDE

P3 MH060LD13

MH FLAT TOP w/ 24" ECC Hole F/G

- P4) 24" - CASTING HEIGHT - 7"
- P3) 60" - MH FLAT TOP w/ 24" ECC Hole F/G - 13"
- P2) 60" - MH RISER T/G - 60"
- P1) 60" - MH DH RISER Custom Ht T/F - 59"
- 1) JOINT WRAP - 0.065"x6"x50" CONSEAL CS212
- 1) JOINT WRAP PRIMER - CONSEAL CS-75 (1 gal.)
- 1) CASTING - HOE WT-420-MSD F/C Storm
- 2) 60" - Conseal CS-102 1.00" (Double)
- 2) DOGHOUSE - 34"x35"
- 1) PSX - 16Y NYLO
- 9) MH Step ML-10-TDS-NCR - 10"

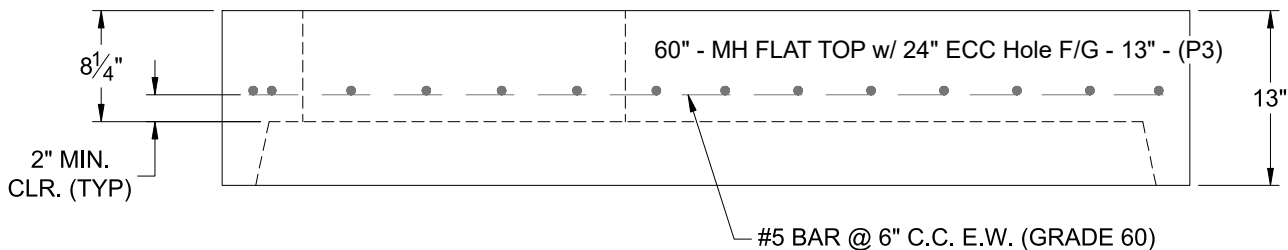
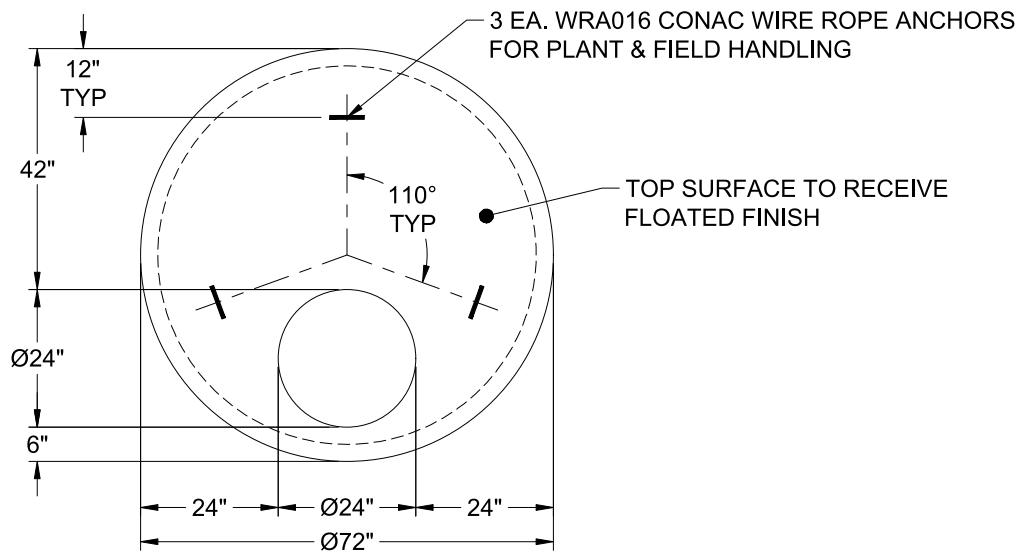
0 lb
 2869 lb
 6264 lb
 4927 lb
 0 lb
 0 lb
 340 lb
 0 lb
 0 lb
 8 lb
 0 lb

 14408 lb

Structure Total:

Structure Notes:

1. PER ASTM C-478 SPECIFICATIONS
2. CONCRETE: 4,000 PSI AT 28 DAYS
3. REINFORCEMENT: #5 BAR @ 6" C.C. E.W. (GRADE 60) - 2" MIN. REBAR CLEARANCE (TYP)
4. HOE WT-420-MSD WATERTIGHT FRAME & COVER "STORM MSD" SUPPLIED BY ICAST
5. LIFTERS: 3 EA. WRA016 CONAC WIRE ROPE ANCHORS FOR PLANT & FIELD HANDLING
6. TOP SURFACE TO RECEIVE FLOATED FINISH



Coating (Int):
 Coating (Ext):

Seam Up: Flat
 Seam Dn: Groove

Wall Thickness: 6"

Height (Ext): 13"

Weight (Net): 2869 lb
 Volume (Net): 0.73cu.yd