

Job Name: 26-1228 - L&N Federal Credit Union
 Job Location: Louisville, KY 40243
 Contractor: H & W Landworks

Plant: 100

5/6/2026 12:05:21 PM

Tech: Jared - A

PC: T. Lewis



Structure ID: S-7-8 SCI

P1 BX2430-08BA36

BOX BASE 8inW, 8inF F/n

- P2) 24" x 30" - CASTING HEIGHT - 6"
- P1) 24" x 30" - BOX BASE 8inW, 8inF F/n - 36"
- 1) CASTING - HOE 360 L Vane Set (F/G/H)
- 1) 24" x 30" - Conseal CS-102 1.00"
- 1) Hole - 18

0 lb
 4448 lb
 362 lb
 0 lb
 0 lb

 Structure Total: 4810 lb

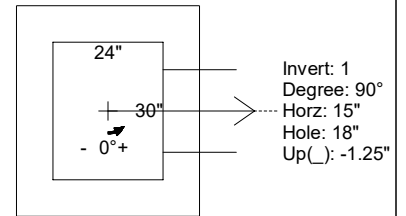
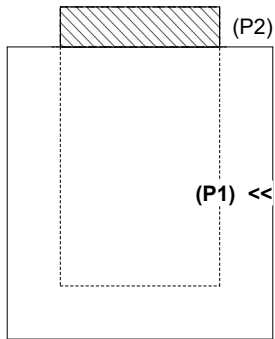
- Structure Notes:
1. PER LOUISVILLE MSD / ASTM C-913 SPECS
 2. CONCRETE: 4,000 PSI AT 28 DAYS
 3. REINFORCEMENT: #4 BAR @ 12" C.C. E.W. (GRADE 60) - 2" MIN. REBAR CLEARANCE (TYP)
 4. NO STORM INVERT
 5. NO STEPS
 6. HOE 360 FRAME, L-VANE GRATE, & CURB HOOD SUPPLIED BY ICAST

Rim: 747.1' Rim to Invert: 3.62' Slack: 1.44" Sump: 0" Step Position:

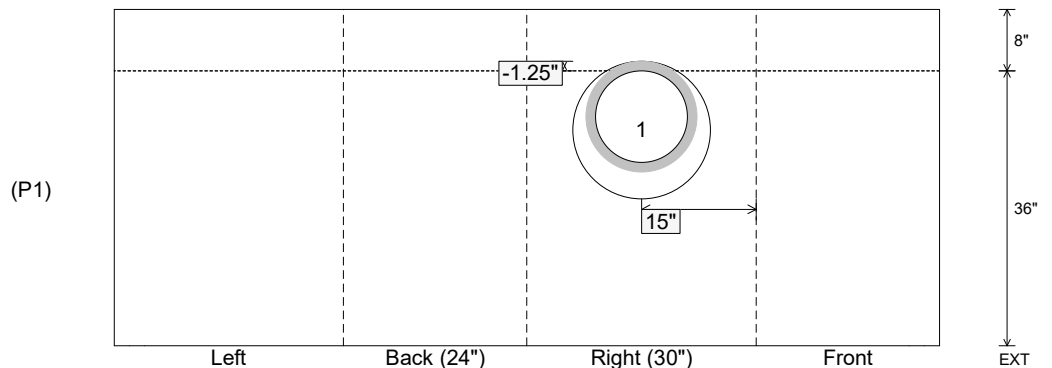
Position	Elev	Angle	Ext. (cw)	Pipe	Pipe OD	Connector	Hole	Horz Size	Up ()	Offset
Invert 1	743.48'	90°	23"	12" ADS N-12	14.5"	Hole 18	18"	18"	-1.25"	0"
Invert 2										
Invert 3										
Invert 4										
Invert 5										
Invert 6										
Invert 7										
Invert 8										

RIGHT-SIDE UP VIEW (int. dimensions)

UPSIDE-DOWN VIEW (int. dimenions)



INSIDE WALL DIMENSIONS



Coating (Int):
 Coating (Ext):

Seam Up: Flat
 Seam Dn: n/a

Wall Thickness: 8"
 Floor Height: 8"

Height (Int): 36"
 Height (Ext): 44"

Weight (Net): 4448 lb
 Volume (Net): 1.14cu.yd