

Job Name: 26-1228 - L&N Federal Credit Union
 Job Location: Louisville, KY 40243
 Contractor: H & W Landworks

Plant: 100

5/6/2026 12:05:51 PM

Tech: Jared - A

PC: T. Lewis



Structure ID: S-5-6 ST-MH

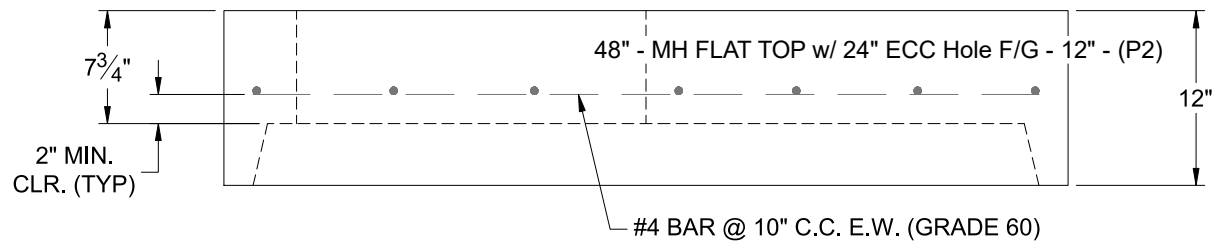
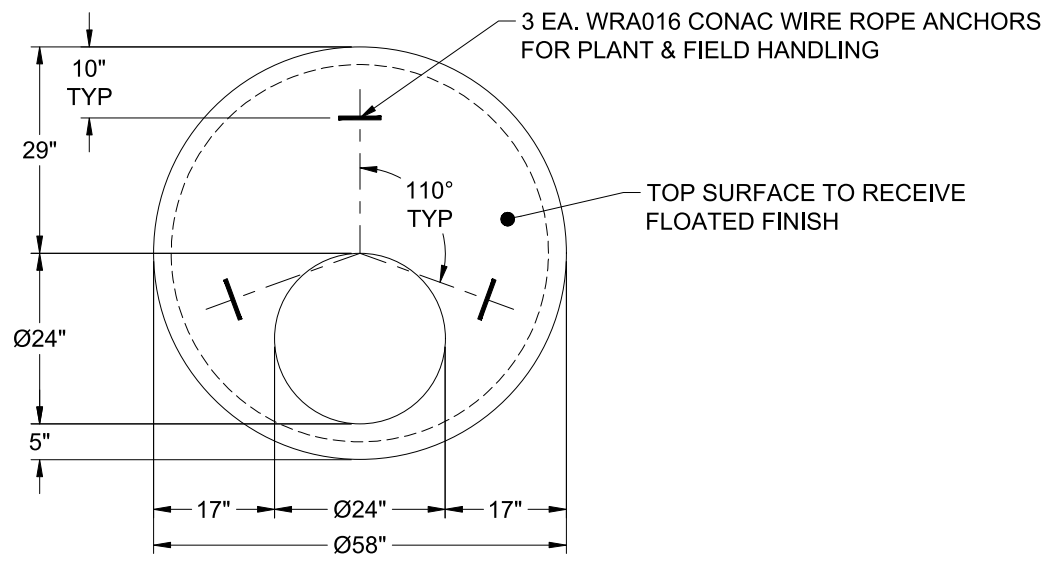
P2 MH048LD12ECC

MH FLAT TOP w/ 24" ECC Hole F/G

- P4) 24" - CASTING HEIGHT - 7"
- P3) 24" - GRADE RING F/F - 4"
- P2) 48" - MH FLAT TOP w/ 24" ECC Hole F/G - 12"
- P1) 48" - MH BASE T/n - 30"
- 1) CASTING - HOE MC-420 F/C Storm
- 1) 48" - Conseal CS-102 1.00"
- 1) Hole - 16
- 1) Hole - 18
- 3) MH Step ML-10-TDS-NCR - 10"

	0 lb
	270 lb
	1561 lb
	3231 lb
	340 lb
	0 lb
	0 lb
	0 lb
	0 lb
	0 lb
Structure Total:	5402 lb

- Structure Notes:
1. PER LOUISVILLE MSD / ASTM C-478 SPECS
 2. CONCRETE: 4,000 PSI AT 28 DAYS
 3. REINFORCEMENT: #4 BAR @ 10" C.C. E.W. (GRADE 60) - 2" MIN. REBAR CLEARANCE (TYP)
 4. HOE MC-420 FRAME & COVER "STORM MSD" SUPPLIED BY ICAST
 5. LIFTERS: 3 EA. WRA016 CONAC WIRE ROPE ANCHORS FOR PLANT & FIELD HANDLING
 6. TOP SURFACE TO RECEIVE FLOATED FINISH



Coating (Int): Coating (Ext):	Seam Up: Flat Seam Dn: Groove	Wall Thickness: 5"	Height (Ext): 12"	Weight (Net): 1561 lb Volume (Net): 0.42cu.yd
----------------------------------	----------------------------------	--------------------	-------------------	--