

Job Name: 26-1077 - Westside Markets of Greensboro Village
 Job Location: Gallatin, TN
 Contractor: Cleary Construction, Inc.

Plant: 100
 5/5/2026 12:10:54 PM

Tech: J. Coppage - F
 PC: C. Goff



Structure ID: B5

P1 BX2436-08BA48

BOX BASE 8inW, 8inF F/n

- P2) 24" x 36" - CASTING HEIGHT - 5"
- P1) 24" x 36" - BOX BASE 8inW, 8inF F/n - 48"
- 1) 24" x 36" - STORM INVERT CHANNEL (FLAT) - 4" THK
- 1) CASTING - EJ 6499 Beehive Grate
- 1) 24" x 36" - Conseal CS-102 1.00"
- 1) Hole - 30
- 1) Hole - 24
- 1) Hole - 6

0 lb
 5573 lb
 450 lb
 250 lb
 0 lb
 0 lb
 0 lb
 0 lb
 0 lb
 Structure Total: 6273 lb

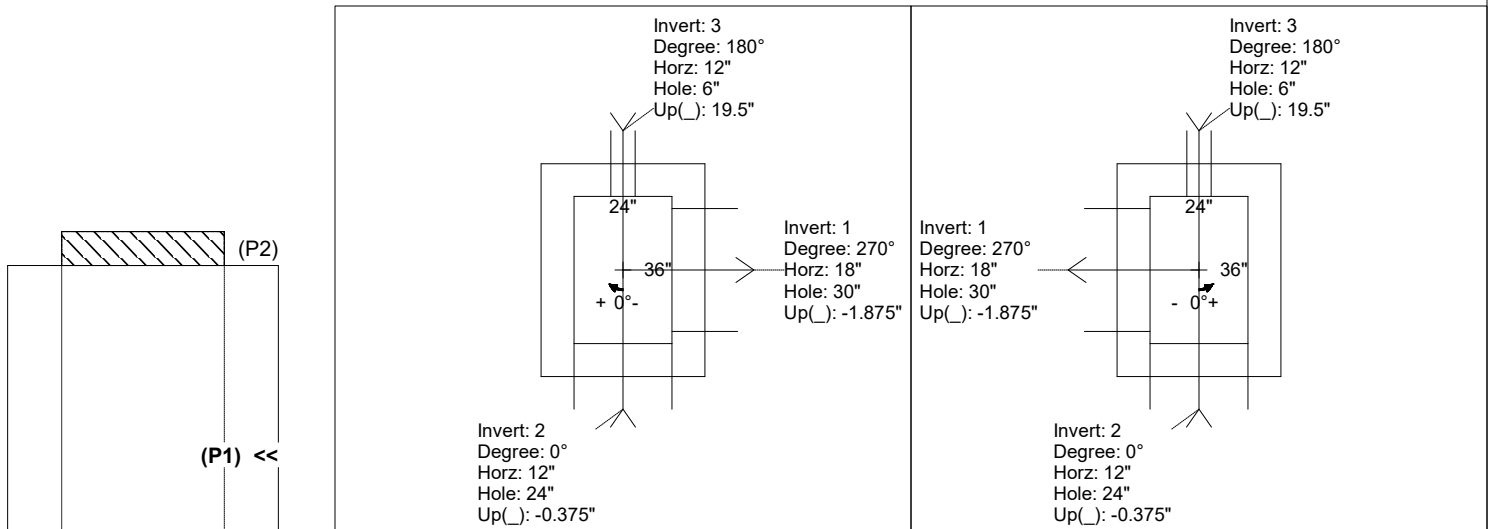
Structure Notes:
 1. PER ASTM C913 SPECIFICATIONS.
 2. CONCRETE = 4,000 PSI AT 28 DAYS.
 3. NO STEPS.
 4. CASTING SUPPLIED BY I-CAST (EJ 6499).
 REINFORCING PER ASTM A615 (GRADE 60).
 - WALLS (As .12) #5 BARS AT 12" C.C.E.W.
 - FLOOR (As .12) #5 BARS AT 12" C.C.E.W.

Rim: 497' Rim to Invert: 4.48' Slack: 0.76" Sump: 0" Step Position:

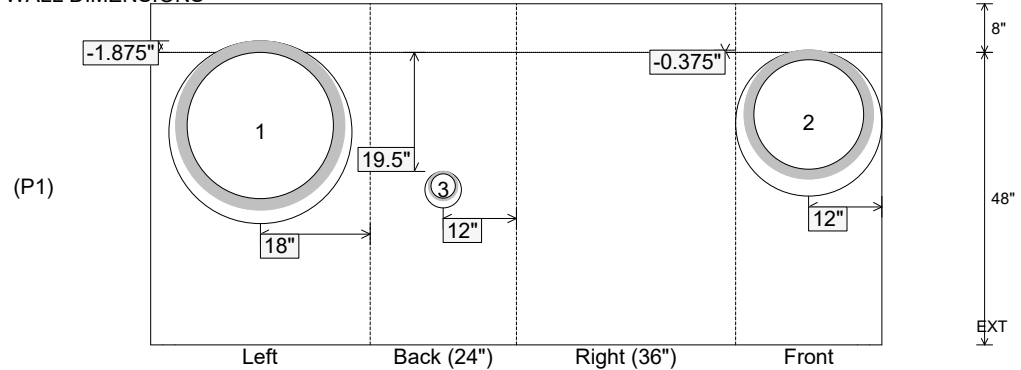
Position	Elev	Angle	Ext. (cw)	Pipe	Pipe OD	Connector	Hole	Horz Size	Up ()	Offset
Invert 1	492.52'	270°	26"	24" HDPE	27.8"	Hole 30	30"	30"	-1.875"	0"
Invert 2	492.62'	0°	20"	18" HDPE	21.2"	Hole 24	24"	24"	-0.375"	0"
Invert 3	494.18'	180°	20"	4" HDPE (perf pipe)	4.8"	Hole 6	6"	6"	19.5"	0"
Invert 4										
Invert 5										
Invert 6										
Invert 7										
Invert 8										

RIGHT-SIDE UP VIEW (int. dimensions)

UPSIDE-DOWN VIEW (int. dimensions)



INSIDE WALL DIMENSIONS



Coating (Int): Coating (Ext):	Seam Up: Flat Seam Dn: n/a	Wall Thickness: 8" Floor Height: 8"	Height (Int): 48" Height (Ext): 56"	Weight (Net): 5573 lb Volume (Net): 1.42cu.yd
----------------------------------	-------------------------------	--	--	--

Job Name: 26-1077 - Westside Markets of Greensboro Village
 Job Location: Gallatin, TN
 Contractor: Cleary Construction, Inc.

Plant: 100
 5/5/2026 12:10:54 PM

Tech: J. Coppage - F
 PC: C. Goff



Structure ID: B5

P1 BX2436-08BA48

BOX BASE 8inW, 8inF F/n

P2) 24" x 36" - CASTING HEIGHT - 5"
 P1) 24" x 36" - BOX BASE 8inW, 8inF F/n - 48"

1) 24" x 36" - STORM INVERT CHANNEL (FLAT) - 4" THK

- 1) CASTING - EJ 6499 Beehive Grate
- 1) 24" x 36" - Conseal CS-102 1.00"
- 1) Hole - 30
- 1) Hole - 24
- 1) Hole - 6

0 lb
 5573 lb
 450 lb
 250 lb
 0 lb
 0 lb
 0 lb
 0 lb
 0 lb
 Structure Total: 6273 lb

Structure Notes:

1. PER ASTM C913 SPECIFICATIONS.
2. CONCRETE = 4,000 PSI AT 28 DAYS.
3. NO STEPS.
4. CASTING SUPPLIED BY I-CAST (EJ 6499).

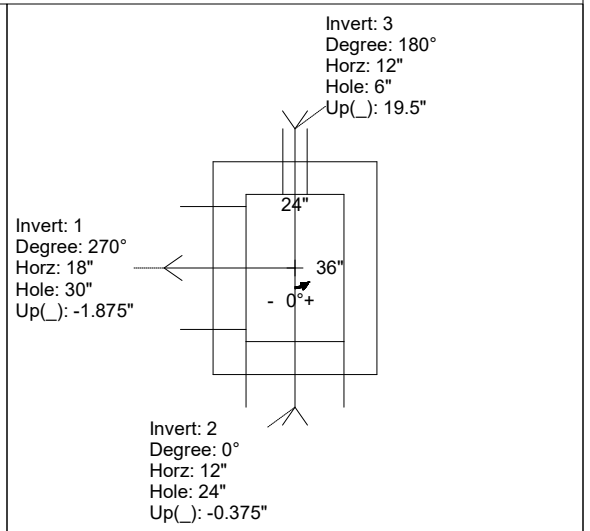
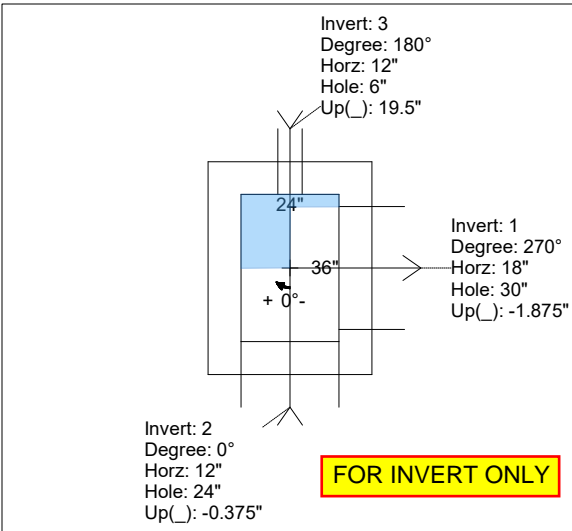
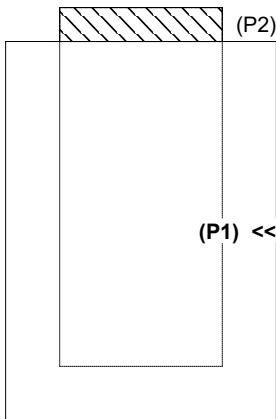
REINFORCING PER ASTM A615 (GRADE 60).
 - WALLS (As .12) #5 BARS AT 12" C.C.E.W.
 - FLOOR (As .12) #5 BARS AT 12" C.C.E.W.

Rim: 497' Rim to Invert: 4.48' Slack: 0.76" Sump: 0" Step Position:

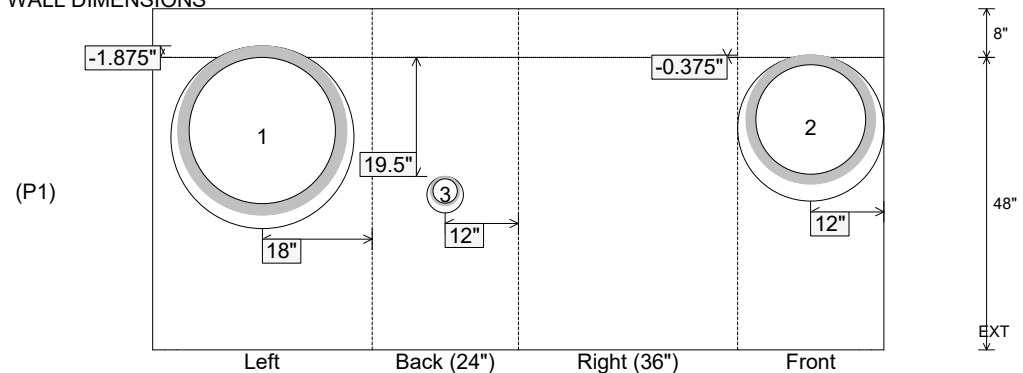
Position	Elev	Angle	Ext. (cw)	Pipe	Pipe OD	Connector	Hole	Horz Size	Up ()	Offset
Invert 1	492.52'	270°	26"	24" HDPE	27.8"	Hole 30	30"	30"	-1.875"	0"
Invert 2	492.62'	0°	20"	18" HDPE	21.2"	Hole 24	24"	24"	-0.375"	0"
Invert 3	494.18'	180°	20"	4" HDPE (perf pipe)	4.8"	Hole 6	6"	6"	19.5"	0"
Invert 4										
Invert 5										
Invert 6										
Invert 7										
Invert 8										

RIGHT-SIDE UP VIEW (int. dimensions)

UPSIDE-DOWN VIEW (int. dimensions)



INSIDE WALL DIMENSIONS



Coating (Int):
 Coating (Ext):

Seam Up: Flat
 Seam Dn: n/a

Wall Thickness: 8"
 Floor Height: 8"

Height (Int): 48"
 Height (Ext): 56"

Weight (Net): 5573 lb
 Volume (Net): 1.42cu.yd