

Job Name: 26-1077 - Westside Markets of Greensboro Village  
 Job Location: Gallatin, TN  
 Contractor: Cleary Construction, Inc.

Plant: 100  
 5/5/2026 12:10:53 PM

Tech: J. Coppage - F  
 PC: C. Goff



**Structure ID: B4**

**P1 BX2436-08BVF**

**BOX BASE 8inW, 8inF, Variable Ht T/n**

- P3) 24" x 36" - CASTING HEIGHT - 5"
- P2) 24" x 36" - BOX RISER 8inW, Variable Ht F/G - 41"
- P1) 24" x 36" - BOX BASE 8inW, 8inF, Variable Ht T/n - 34"
- 1) CASTING - EJ 6499 Beehive Grate
- 1) 24" x 36" - STORM INVERT CHANNEL (FLAT) - 4" THK
- 2) 24" x 36" - Conseal CS-102 1.00"
- 2) Hole - 30
- 1) Hole - 6

0 lb  
 4184 lb  
 3898 lb  
 250 lb  
 450 lb  
 0 lb  
 0 lb  
 0 lb  
 -----  
 Structure Total: 8781 lb

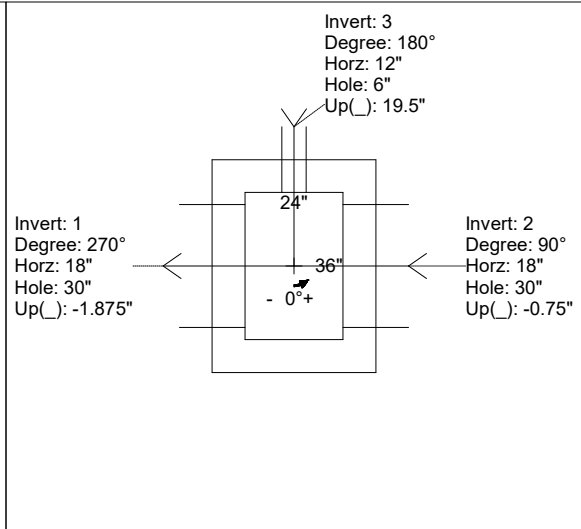
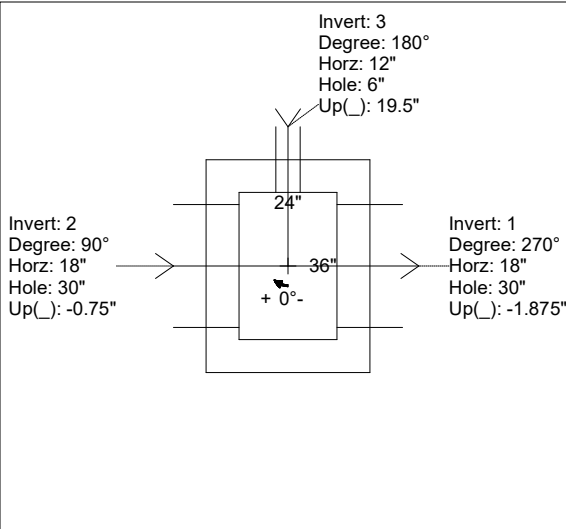
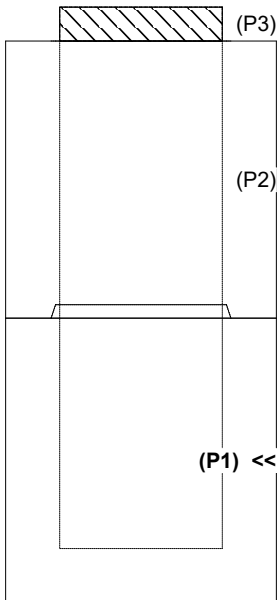
**Structure Notes:**  
 1. PER ASTM C913 SPECIFICATIONS.  
 2. CONCRETE = 4,000 PSI AT 28 DAYS.  
 3. NO STEPS.  
 4. CASTING SUPPLIED BY I-CAST (EJ 6499).  
  
 REINFORCING PER ASTM A615 (GRADE 60).  
 - WALLS (As .12) #5 BARS AT 12" C.C.E.W.  
 - FLOOR (As .12) #5 BARS AT 12" C.C.E.W.

Rim: 498' Rim to Invert: 6.71' Slack: 0.52' Sump: 0' Step Position:

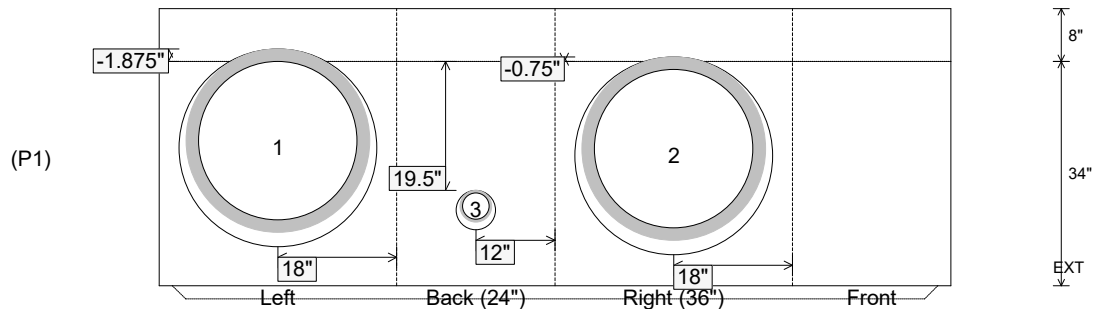
Position	Elev	Angle	Ext. (cw)	Pipe	Pipe OD	Connector	Hole	Horz Size	Up ( )	Offset
Invert 1	491.29'	270°	26"	24" HDPE	27.8"	Hole 30	30"	30"	-1.875"	0"
Invert 2	491.39'	90°	26"	24" HDPE	27.8"	Hole 30	30"	30"	-0.75"	0"
Invert 3	492.95'	180°	20"	4" HDPE (perf pipe)	4.8"	Hole 6	6"	6"	19.5"	0"
Invert 4										
Invert 5										
Invert 6										
Invert 7										
Invert 8										

RIGHT-SIDE UP VIEW (int. dimensions)

UPSIDE-DOWN VIEW (int. dimensions)



INSIDE WALL DIMENSIONS



Coating (Int):  
 Coating (Ext):

Seam Up: Tongue  
 Seam Dn: n/a

Wall Thickness: 8"  
 Floor Height: 8"

Height (Int): 34"  
 Height (Ext): 42"

Weight (Net): 3898 lb  
 Volume (Net): 1cu.yd

Job Name: 26-1077 - Westside Markets of Greensboro Village  
 Job Location: Gallatin, TN  
 Contractor: Cleary Construction, Inc.

Plant: 100  
 5/5/2026 12:10:53 PM

Tech: J. Coppage - F  
 PC: C. Goff



**Structure ID: B4**

**P1 BX2436-08BVF**

**BOX BASE 8inW, 8inF, Variable Ht T/n**

- P3) 24" x 36" - CASTING HEIGHT - 5"
- P2) 24" x 36" - BOX RISER 8inW, Variable Ht F/G - 41"
- P1) 24" x 36" - BOX BASE 8inW, 8inF, Variable Ht T/n - 34"
- 1) CASTING - EJ 6499 Beehive Grate
- 1) 24" x 36" - STORM INVERT CHANNEL (FLAT) - 4" THK
- 2) 24" x 36" - Conseal CS-102 1.00"
- 2) Hole - 30
- 1) Hole - 6

0 lb  
 4184 lb  
 3898 lb  
 250 lb  
 450 lb  
 0 lb  
 0 lb  
 0 lb  
 Structure Total: 8781 lb

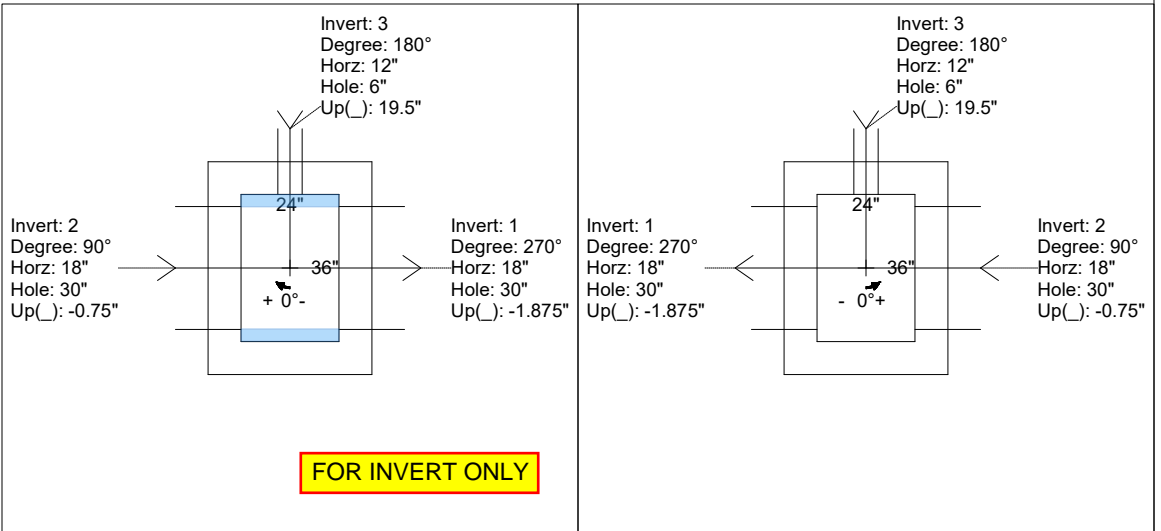
**Structure Notes:**  
 1. PER ASTM C913 SPECIFICATIONS.  
 2. CONCRETE = 4,000 PSI AT 28 DAYS.  
 3. NO STEPS.  
 4. CASTING SUPPLIED BY I-CAST (EJ 6499).  
  
 REINFORCING PER ASTM A615 (GRADE 60).  
 - WALLS (As .12) #5 BARS AT 12" C.C.E.W.  
 - FLOOR (As .12) #5 BARS AT 12" C.C.E.W.

Rim: 498' Rim to Invert: 6.71' Slack: 0.52' Sump: 0' Step Position:

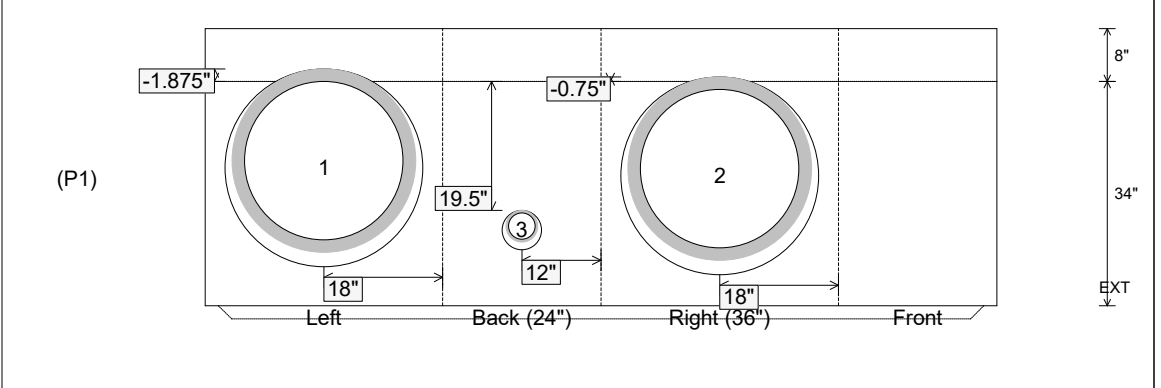
Position	Elev	Angle	Ext. (cw)	Pipe	Pipe OD	Connector	Hole	Horz Size	Up ( )	Offset
Invert 1	491.29'	270°	26"	24" HDPE	27.8"	Hole 30	30"	30"	-1.875"	0"
Invert 2	491.39'	90°	26"	24" HDPE	27.8"	Hole 30	30"	30"	-0.75"	0"
Invert 3	492.95'	180°	20"	4" HDPE (perf pipe)	4.8"	Hole 6	6"	6"	19.5"	0"
Invert 4										
Invert 5										
Invert 6										
Invert 7										
Invert 8										

RIGHT-SIDE UP VIEW (int. dimensions)

UPSIDE-DOWN VIEW (int. dimensions)



INSIDE WALL DIMENSIONS



Coating (Int): Coating (Ext):	Seam Up: Tongue Seam Dn: n/a	Wall Thickness: 8" Floor Height: 8"	Height (Int): 34" Height (Ext): 42"	Weight (Net): 3898 lb Volume (Net): 1cu.yd
----------------------------------	---------------------------------	--	--	---