

Job Name: 25-4590 Uhlhorn Sewer Repairs  
 Job Location: Evansville, IN  
 Contractor: Bowen Engineering Corporation

Plant: Beaver Dam  
 5/11/2026 10:20:33 AM

Tech: S. Felletter  
 PC: A. Chambers



**Structure ID: 203 (4)**

**P2 MH048LD12ECC**

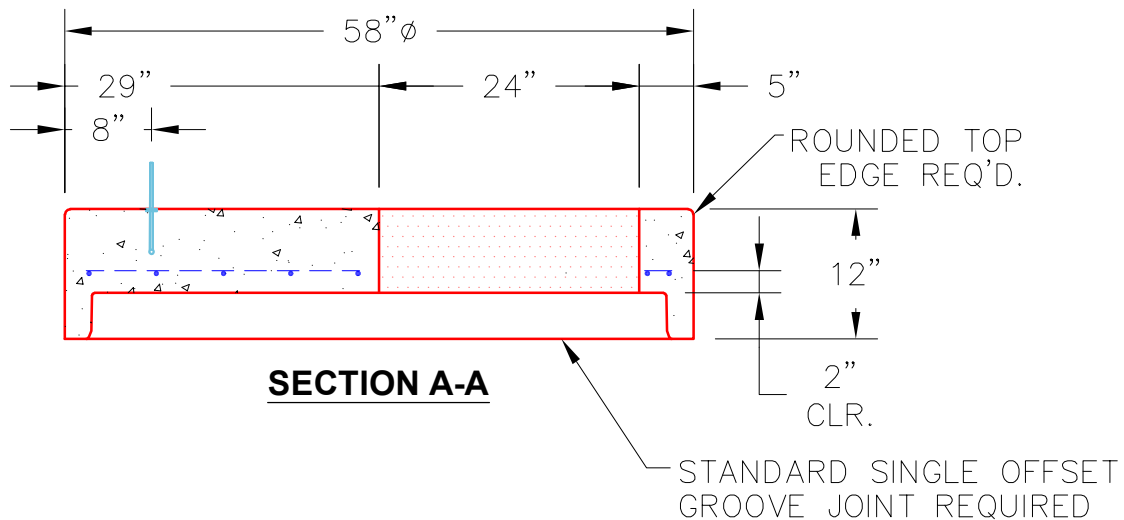
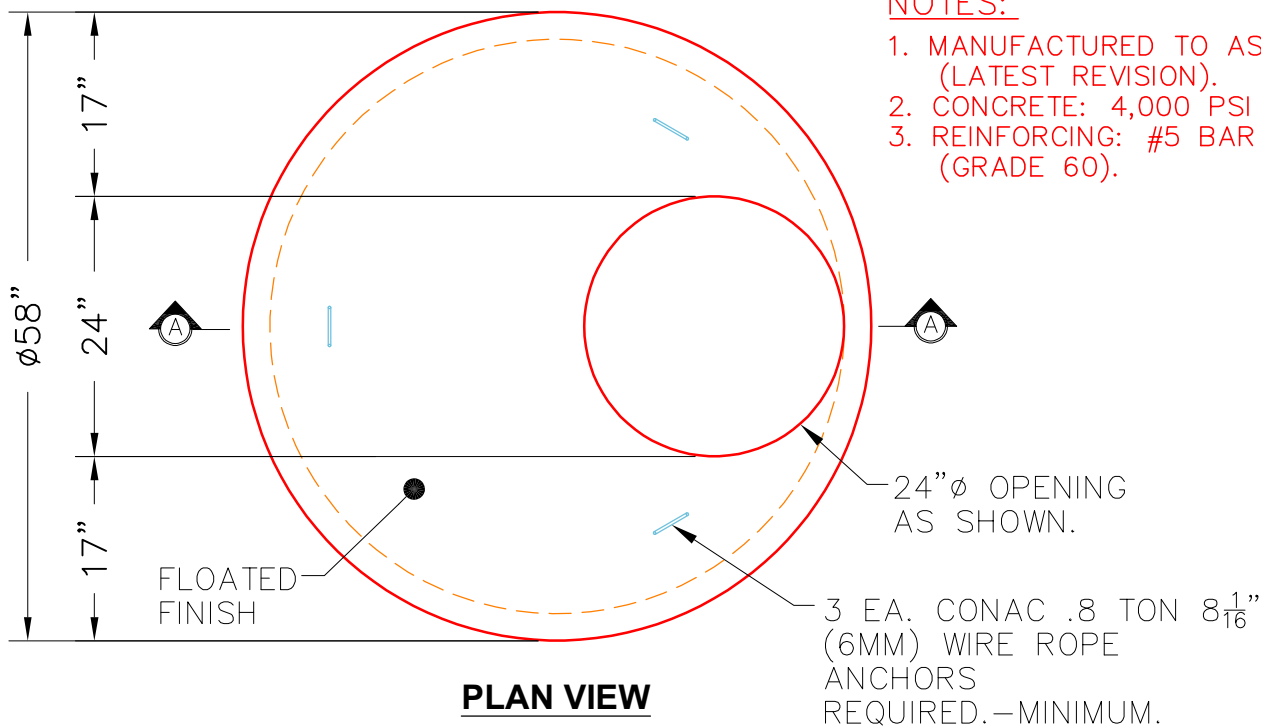
**MH FLAT LID w/24in ECC Hole F/G**

- P3) 24" - CASTING HEIGHT - 7"
- P2) 48" - MH FLAT LID w/24in ECC Hole F/G - 12"
- P1) 48" - MH BASE Custom Ht T/n - 53"
- 1) CASTING - HOE MC-315 F/C Storm
- 1) 48" - Conseal CS-102 1.00"
- 2) Hole - 26
- 1) Hole - 20

0 lb  
 1561 lb  
 4431 lb  
 258 lb  
 0 lb  
 0 lb  
 0 lb  
 -----  
 Structure Total: 6250 lb

- Structure Notes:
1. PER ASTM C478 SPECIFICATIONS.
  2. CONCRETE = 4,000 PSI AT 28 DAYS.
  3. CASTING BY ICAST (HOE MC-315 F/C "STORM").
  4. NO STEPS.

REINFORCING PER ASTM A615 (GRADE 60).  
 - TOP SLAB (As .62) #5 BARS AT 6" C.C.E.W..  
 - RISER/WALLS (As .12)  
 - FLOOR (As .31) #5 BARS AT 12" C.C.E.W.



Coating (Int):  
 Coating (Ext):

Seam Up: Flat  
 Seam Dn: Groove

Wall Thickness: 5"

Height (Ext): 12"

Weight (Net): 1561 lb  
 Volume (Net): 0.4cu.yd