

Job Name: 25-4590 Uhlhorn Sewer Repairs
 Job Location: Evansville, IN
 Contractor: Bowen Engineering Corporation

Plant: Beaver Dam
 5/11/2026 3:01:41 PM

Tech: S. Felletter
 PC: A. Chambers



Structure ID: 200 (10)

P1 BX2424-08BAVF

BOX BASE 8inW, 8inF, Variable Ht F/n

- P2) 24" x 24" - CASTING HEIGHT - 4"
- P1) 24" x 24" - BOX BASE 8inW, 8inF, Variable Ht F/n - 32"
- 1) CASTING - HOE 280T F/G
- 1) 24" x 24" - Conseal CS-102 1.00"
- 1) Hole - 20

0 lb
 3613 lb
 182 lb
 0 lb
 0 lb

 Structure Total: 3795 lb

- Structure Notes:**
1. PER ASTM C913 SPECIFICATIONS.
 2. CONCRETE = 4,000 PSI AT 28 DAYS.
 3. NO INVERT CHANNEL.
 4. CASTING BY ICAST (HOE 280T F/G).

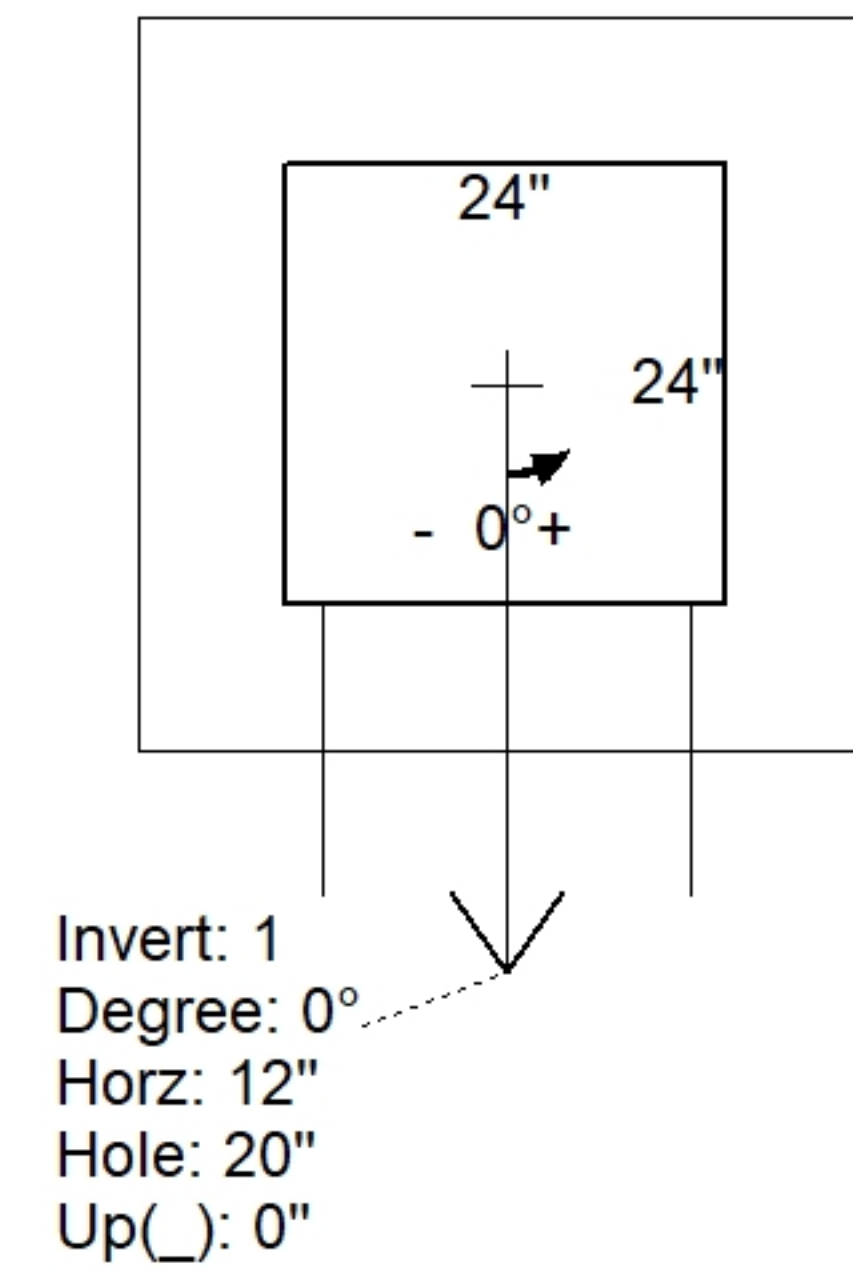
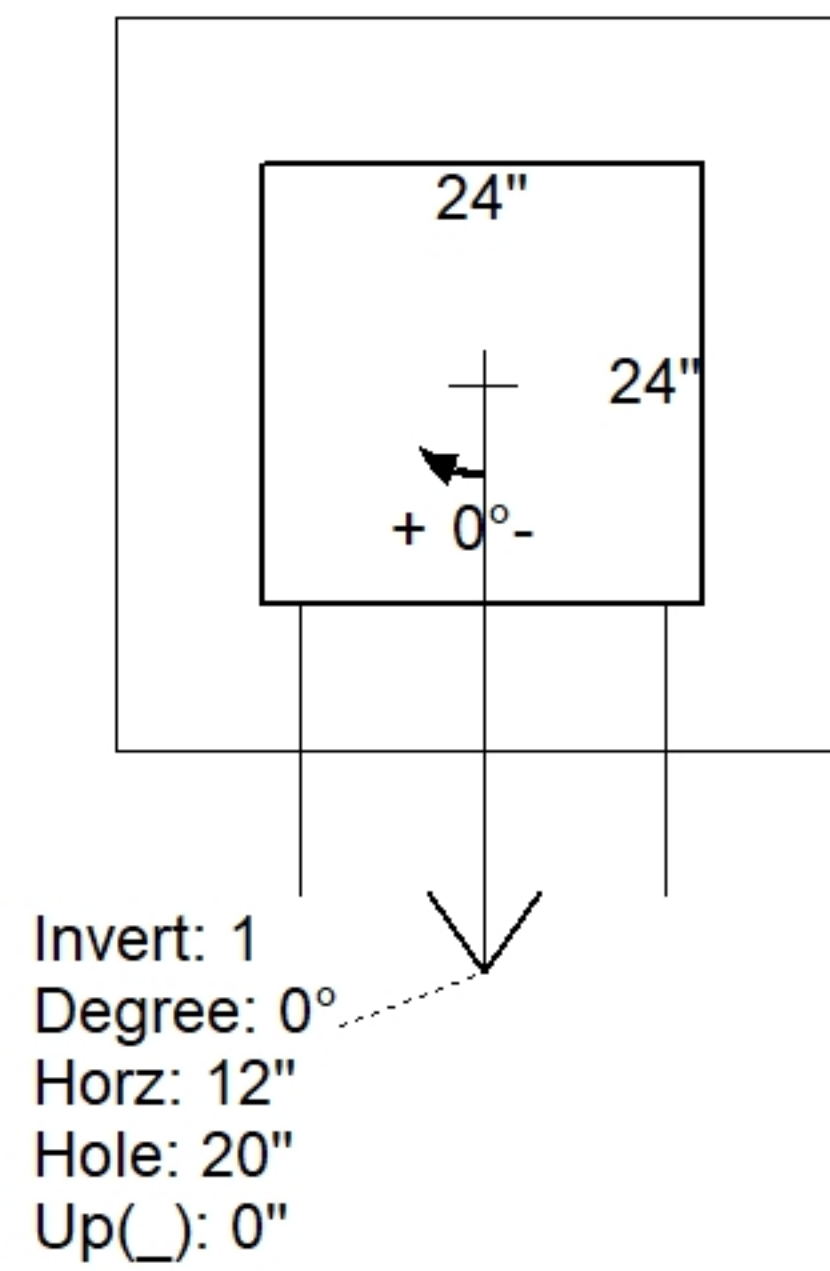
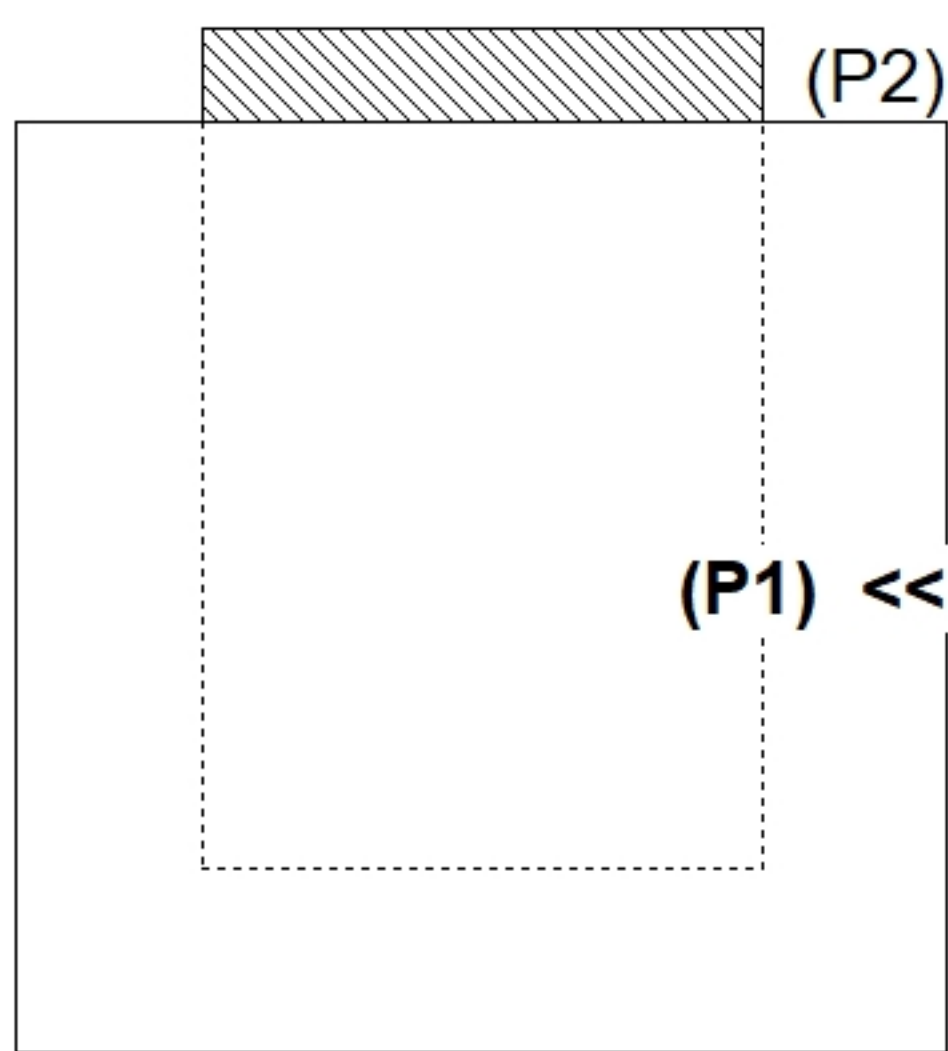
- REINFORCING PER ASTM A615 (GRADE 60).**
- TOP SLAB (As .62) #5 BARS AT 6" C.C.E.W.
 - WALLS (As .12) #5 BARS AT 12" C.C.E.W.
 - FLOOR (As .12) #5 BARS AT 12" C.C.E.W.

Rim: 377.68' Rim to Invert: 2.88' Slack: 0.56" Sump: 2" Step Position:

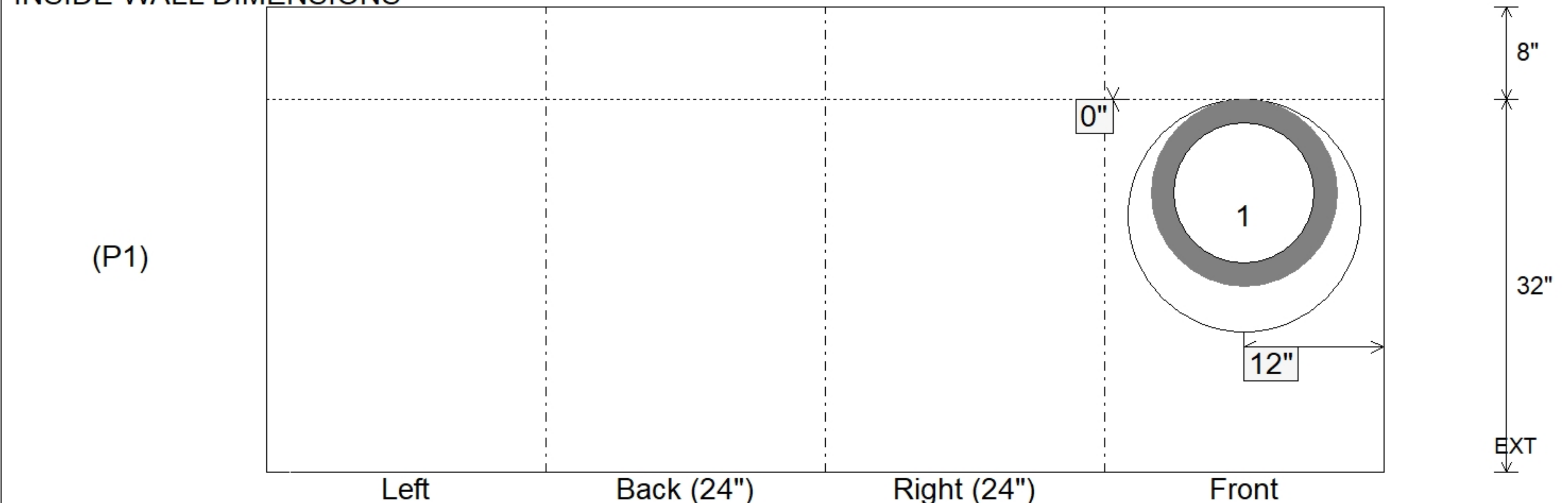
Position	Elev	Angle	Ext. (cw)	Pipe	Pipe OD	Connector	Hole	Horz Size	Up ()	Offset
Invert 1	374.8'	0°	20"	12" RCP B WALL	16"	Hole 20	20"	20"	0"	0"
Invert 2										
Invert 3										
Invert 4										
Invert 5										
Invert 6										
Invert 7										
Invert 8										

RIGHT-SIDE UP VIEW (int. dimensions)

UPSIDE-DOWN VIEW (int. dimensions)



INSIDE WALL DIMENSIONS



Coating (Int):
 Coating (Ext):

Seam Up: Flat
 Seam Dn: n/a

Wall Thickness: 8"
 Floor Height: 8"

Height (Int): 32"
 Height (Ext): 40"

Weight (Net): 3613 lb
 Volume (Net): 0.92cu.yd