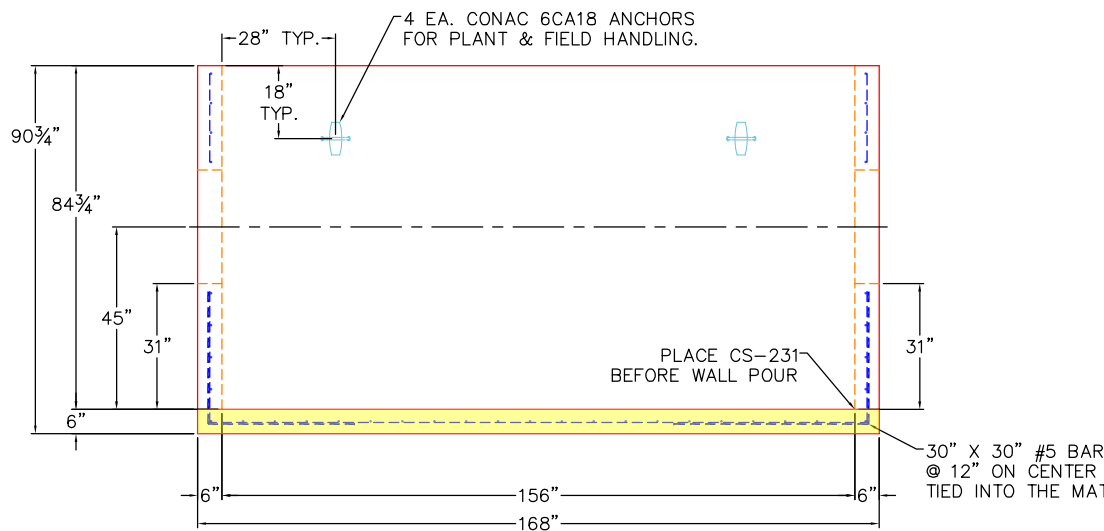
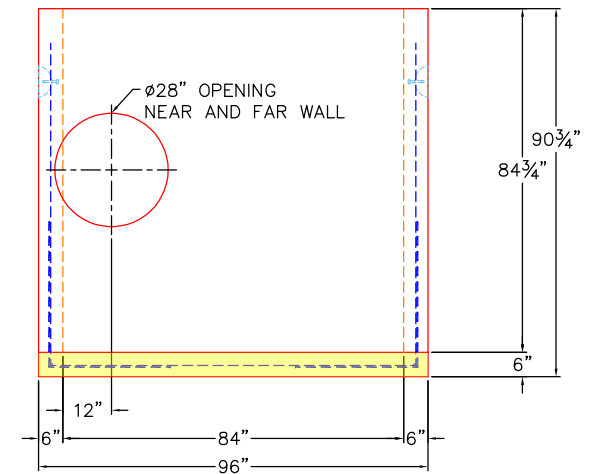


PLAN VIEW



SECTION A-A



SECTION B-B

**GENERAL NOTES:**

1. MANUFACTURED TO ASTM C-913 (LATEST REVISION).
2. CONCRETE: 5,000 PSI AT 28 DAYS. CONCRETE.
3. REINFORCING: PER ASTM A615 (GRADE 60). AS PER CONTECH VORTECHS DRAWINGS
4. WEIGHTS: TOTAL = 33,048 LBS  
**FIRST POUR = 8,120 LBS**  
 SECOND POUR = 20,885 LBS  
 BAFFLE A = 1,960 LBS  
 BAFFLE B = 2,083 LBS
5. VAULT JOINT TO BE SEALED WITH CONCRETE SEALANTS, INC. CS-102 ROLL BUTYL MASTIC. (SUPPLIED BY ICAST)
6. STRUCTURE TO HAVE INTERNALS INSTALLED BY ICAST.
7. INLET & OUTLET PIPE OPENINGS TO BE STENCILED ONTO THE OUTSIDE OF THE PRODUCT.
8. LIFT ANCHORS TO BE PLACED ON THE OUTSIDE OF THE STRUCTURE.

**FIRST POUR DRAWING (BASE SLAB)**

**PRODUCTION WORK ORDER**

PRODUCT I.D.: BX084156-06W06F-VF

DESCRIPTION: 84" X 156" X 84 3/4" TALL VAULT



QUALITY CONTROL CHECKLIST

- ALL DIMENSIONS CORRECT.
- LIFTERS INSTALLED.
- OPENING CORRECT LOCATION.
- REINFORCING CORRECT.
- SURFACE QUALITY ACCEPTABLE.
- EDGES CHAMFERED.
- ALL PATCHWORK ACCEPTABLE.

PRODUCT VIEW: RIGHT SIDE UP

CUSTOMER: CONTECH ENGINEERING SOLUTIONS

PLANT: BEAVER DAM, KY.

PROJECT: 839548 CHICK-FIL-A OSAGE BEACH

WEIGHT: 33,048 LBS

STRUCTURE: 10-VX5000

TOP SECTION JOINT: N/A

ORDER NO: 26-2253

BASE SECTION JOINT: N/A

PC: C. GOFF

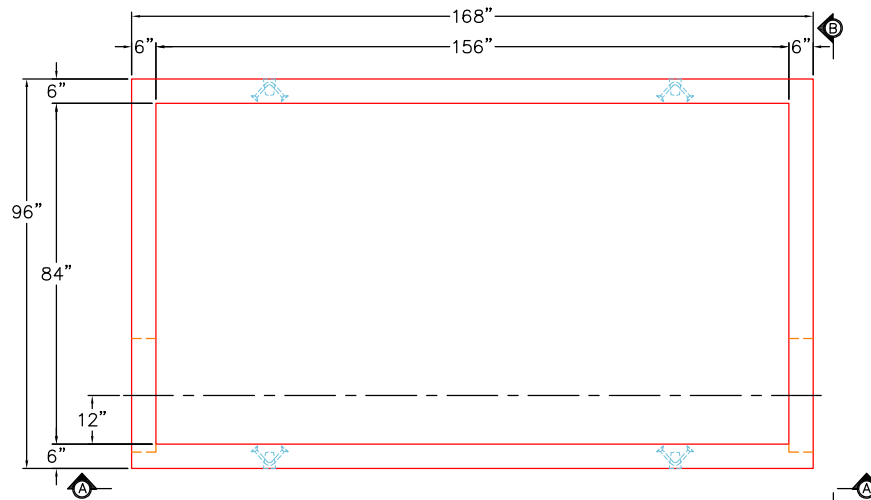
DRAWING: S. FELLETTA

QC CHECK INITIALS:

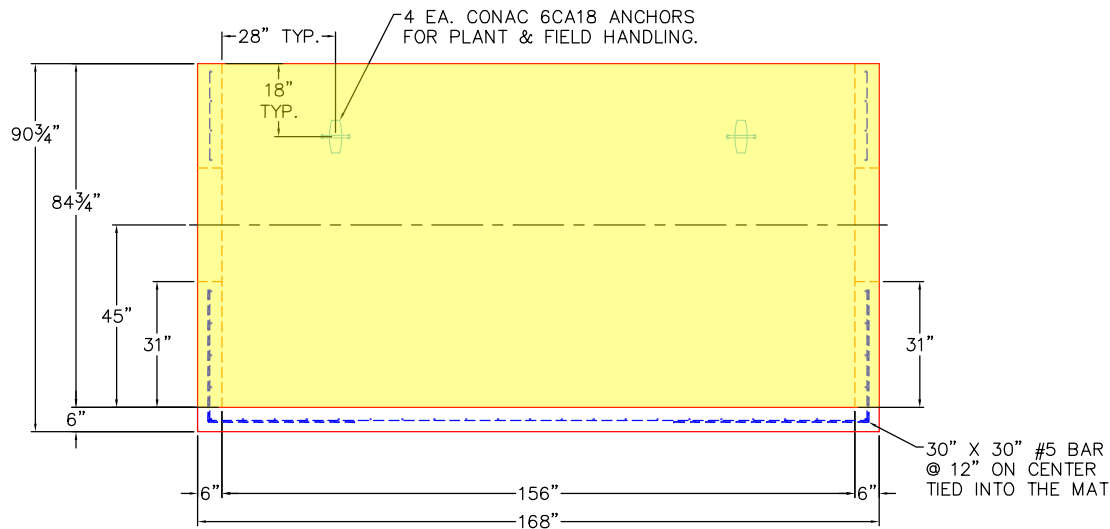
DATE: 05/12/26

SCALE: NTS

PG. 1 of 4

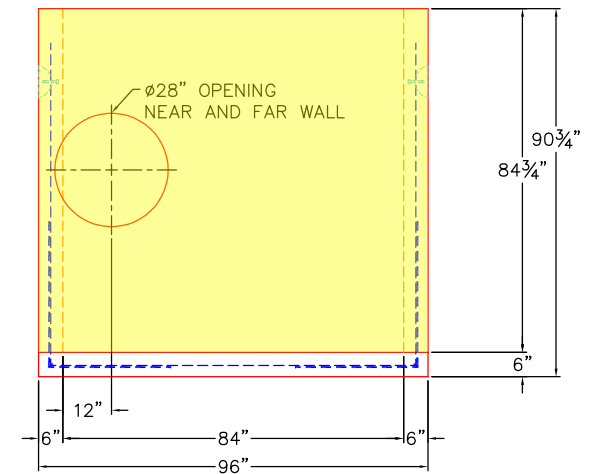


PLAN VIEW



SECTION A-A

**SECOND POUR DRAWING (WALLS)**



SECTION B-B

**GENERAL NOTES:**

1. MANUFACTURED TO ASTM C-913 (LATEST REVISION).
2. CONCRETE: 5,000 PSI AT 28 DAYS. CONCRETE.
3. REINFORCING: PER ASTM A615 (GRADE 60). AS PER CONTECH VORTECHS DRAWINGS
4. WEIGHTS: TOTAL = 33,048 LBS  
 FIRST POUR = 8,120 LBS  
 SECOND POUR = 20,885 LBS  
 BAFFLE A = 1,960 LBS  
 BAFFLE B = 2,083 LBS
5. VAULT JOINT TO BE SEALED WITH CONCRETE SEALANTS, INC. CS-102 ROLL BUTYL MASTIC. (SUPPLIED BY ICAST)
6. STRUCTURE TO HAVE INTERNALS INSTALLED BY ICAST.
7. INLET & OUTLET PIPE OPENINGS TO BE STENCILED ONTO THE OUTSIDE OF THE PRODUCT.
8. LIFT ANCHORS TO BE PLACED ON THE OUTSIDE OF THE STRUCTURE.

**PRODUCTION WORK ORDER**

PRODUCT I.D.: BX084156-06W06F-VF

DESCRIPTION: 84" X 156" X 84 3/4" TALL VAULT



QUALITY CONTROL CHECKLIST

- ALL DIMENSIONS CORRECT.
- LIFTERS INSTALLED.
- OPENING CORRECT LOCATION.
- REINFORCING CORRECT.
- SURFACE QUALITY ACCEPTABLE.
- EDGES CHAMFERED.
- ALL PATCHWORK ACCEPTABLE.

PRODUCT VIEW: RIGHT SIDE UP

CUSTOMER: CONTECH ENGINEERING SOLUTIONS

PLANT: BEAVER DAM, KY.

PROJECT: 839548 CHICK-FIL-A OSAGE BEACH

WEIGHT: 33,048 LBS

STRUCTURE: 10-VX5000

TOP SECTION JOINT: N/A

ORDER NO: 26-2253

BASE SECTION JOINT: N/A

PC: C. GOFF

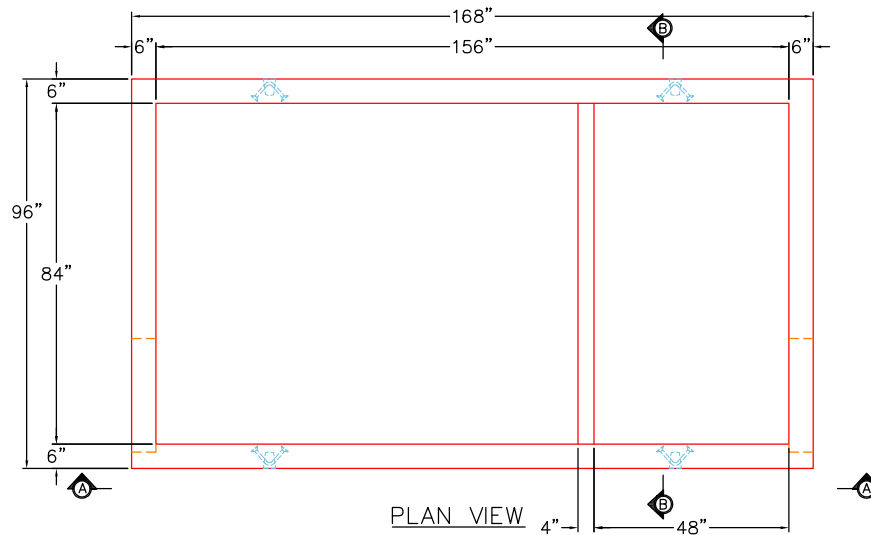
DRAWING: S. FELLETTA

QC CHECK INITIALS:

DATE: 05/12/26

SCALE: NTS

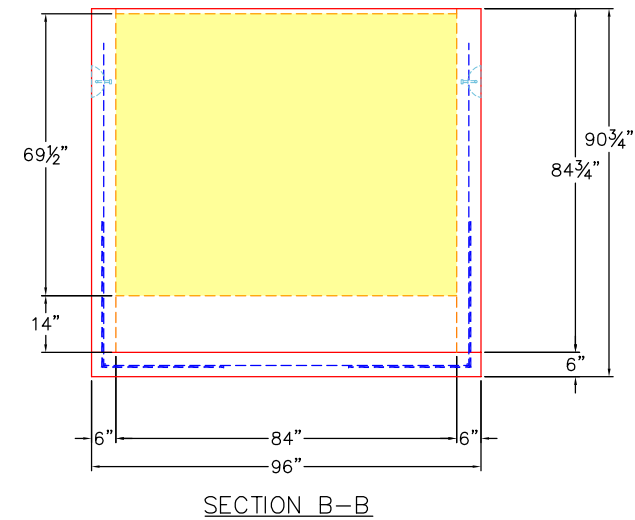
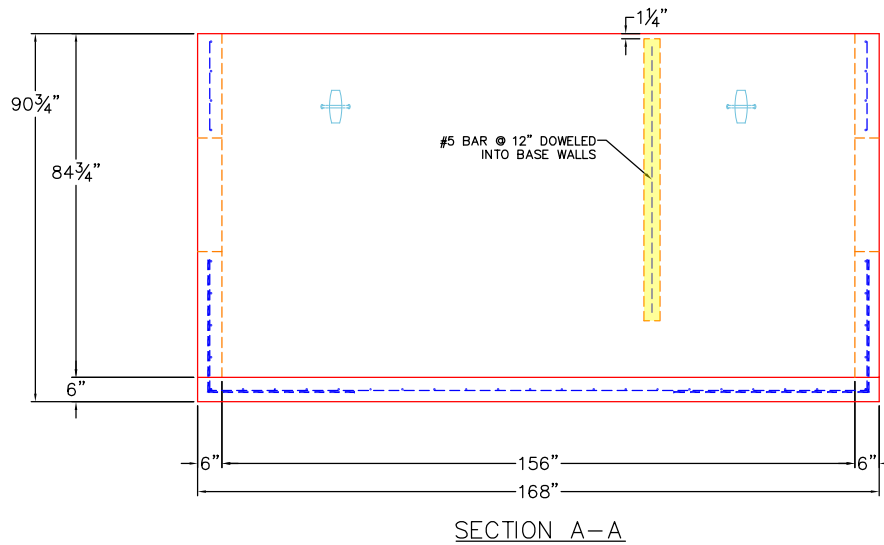
PG. 2 of 4




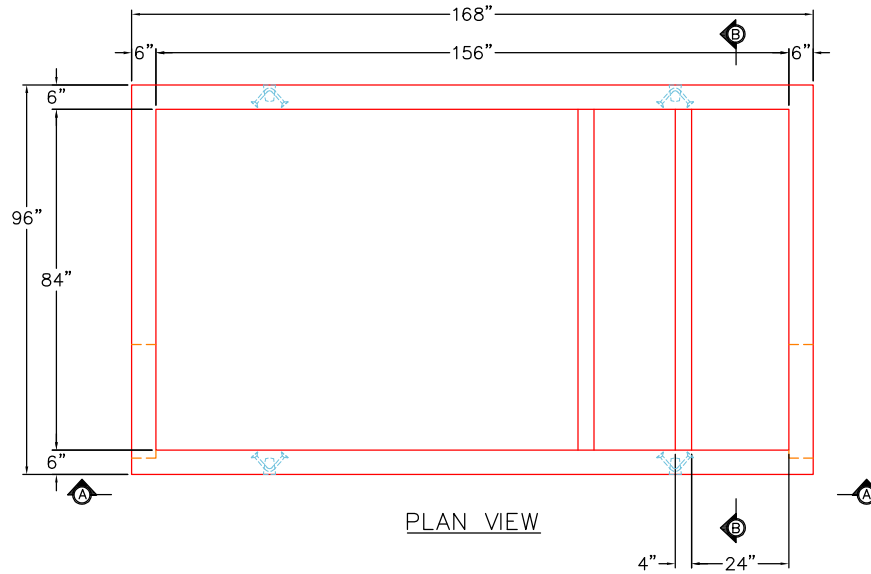
**GENERAL NOTES:**

1. MANUFACTURED TO ASTM C-913 (LATEST REVISION).
2. CONCRETE: 5,000 PSI AT 28 DAYS. CONCRETE.
3. REINFORCING: PER ASTM A615 (GRADE 60). AS PER CONTECH VORTECHS DRAWINGS
4. WEIGHTS: TOTAL = 33,048 LBS  
 FIRST POUR = 8,120 LBS  
 SECOND POUR = 20,885 LBS  
**BAFFLE A = 1,960 LBS**  
 BAFFLE B = 2,083 LBS
5. VAULT JOINT TO BE SEALED WITH CONCRETE SEALANTS, INC. CS-102 ROLL BUTYL MASTIC. (SUPPLIED BY ICAST)
6. STRUCTURE TO HAVE INTERNALS INSTALLED BY ICAST.
7. INLET & OUTLET PIPE OPENINGS TO BE STENCILED ONTO THE OUTSIDE OF THE PRODUCT.
8. LIFT ANCHORS TO BE PLACED ON THE OUTSIDE OF THE STRUCTURE.

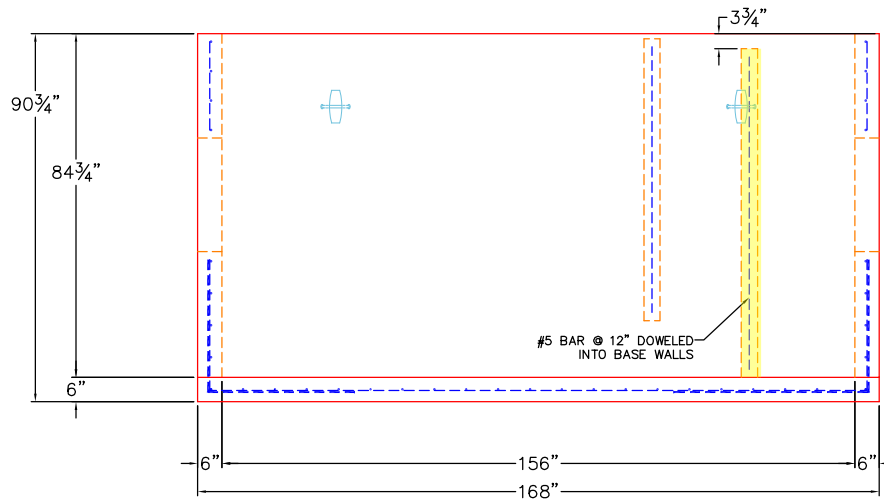
**THIRD POUR (BAFFLE A) DRAWING**



<p>PRODUCTION WORK ORDER</p> 		<p>PRODUCT I.D.: BX084156-06W06F-VF</p>		<p>DESCRIPTION: 84" X 156" X 84 3/4" TALL VAULT</p>	
<p>QUALITY CONTROL CHECKLIST</p> <p><input type="checkbox"/> ALL DIMENSIONS CORRECT.</p> <p><input type="checkbox"/> LIFTERS INSTALLED.</p> <p><input type="checkbox"/> OPENING CORRECT LOCATION.</p> <p><input type="checkbox"/> REINFORCING CORRECT.</p> <p><input type="checkbox"/> SURFACE QUALITY ACCEPTABLE.</p> <p><input type="checkbox"/> EDGES CHAMFERED.</p> <p><input type="checkbox"/> ALL PATCHWORK ACCEPTABLE.</p>		<p>PRODUCT VIEW: RIGHT SIDE UP</p> <p>PLANT: BEAVER DAM, KY.</p> <p>WEIGHT: 33,048 LBS</p> <p>TOP SECTION JOINT: N/A</p> <p>BASE SECTION JOINT: N/A</p> <p>QC CHECK INITIALS:</p>		<p>CUSTOMER: CONTECH ENGINEERING SOLUTIONS</p> <p>PROJECT: 839548 CHICK-FIL-A OSAGE BEACH</p> <p>STRUCTURE: 10-VX5000</p> <p>ORDER NO: 26-2253</p> <p>PC: C. GOFF      DRAWING: S. FELLETTA</p> <p>DATE: 05/12/26      SCALE: NTS      PG. 3 of 4</p>	

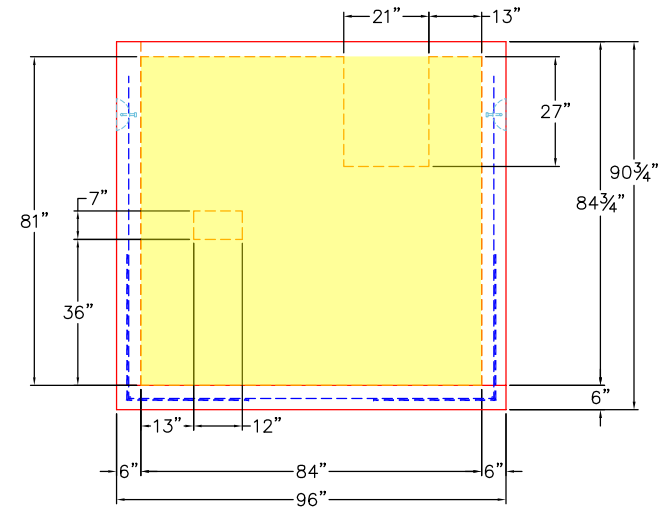


PLAN VIEW



SECTION A-A

**FOURTH POUR (BAFFLE B) DRAWING**



SECTION B-B

**GENERAL NOTES:**

1. MANUFACTURED TO ASTM C-913 (LATEST REVISION).
2. CONCRETE: 5,000 PSI AT 28 DAYS. CONCRETE.
3. REINFORCING: PER ASTM A615 (GRADE 60). AS PER CONTECH VORTECHS DRAWINGS
4. WEIGHTS: TOTAL = 33,048 LBS  
 FIRST POUR = 8,120 LBS  
 SECOND POUR = 20,885 LBS  
 BAFFLE A = 1,960 LBS  
 BAFFLE B = 2,083 LBS
5. VAULT JOINT TO BE SEALED WITH CONCRETE SEALANTS, INC. CS-102 ROLL BUTYL MASTIC. (SUPPLIED BY ICAST)
6. STRUCTURE TO HAVE INTERNALS INSTALLED BY ICAST.
7. INLET & OUTLET PIPE OPENINGS TO BE STENCILED ONTO THE OUTSIDE OF THE PRODUCT.
8. LIFT ANCHORS TO BE PLACED ON THE OUTSIDE OF THE STRUCTURE.

PRODUCTION WORK ORDER

PRODUCT I.D.: BX084156-06W06F-VF

DESCRIPTION: 84" X 156" X 84 3/4" TALL VAULT



QUALITY CONTROL CHECKLIST

- ALL DIMENSIONS CORRECT.
- LIFTERS INSTALLED.
- OPENING CORRECT LOCATION.
- REINFORCING CORRECT.
- SURFACE QUALITY ACCEPTABLE.
- EDGES CHAMFERED.
- ALL PATCHWORK ACCEPTABLE.

PRODUCT VIEW: RIGHT SIDE UP

CUSTOMER: CONTECH ENGINEERING SOLUTIONS

PLANT: BEAVER DAM, KY.

PROJECT: 839548 CHICK-FIL-A OSAGE BEACH

WEIGHT: 33,048 LBS

STRUCTURE: 10-VX5000

TOP SECTION JOINT: N/A

ORDER NO: 26-2253

BASE SECTION JOINT: N/A

PC: C. GOFF

DRAWING: S. FELLETTA

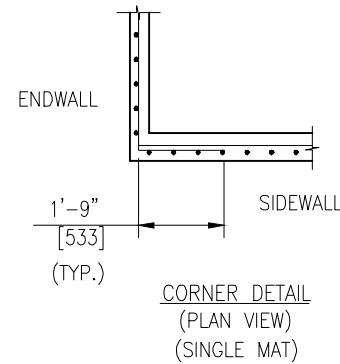
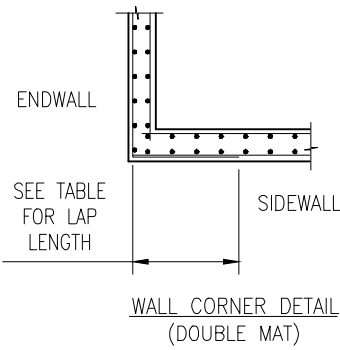
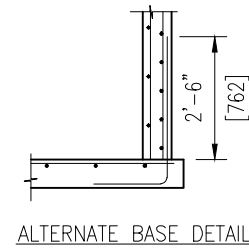
QC CHECK INITIALS:

DATE: 05/12/26

SCALE: NTS

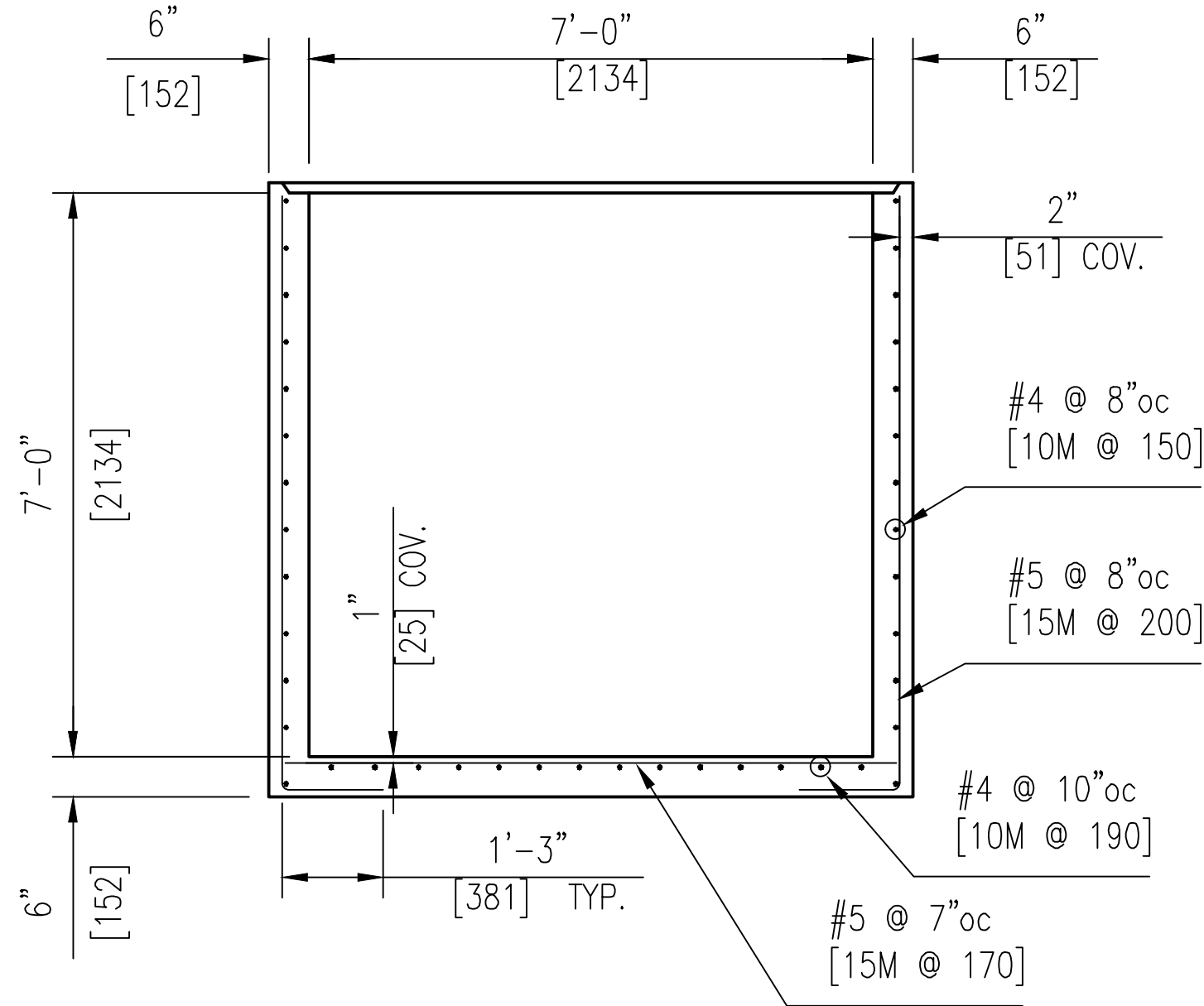
PG. 4 of 4

MINIMUM LAP	
BAR SIZE	LAP
#4[10M]	21"[535]
#5[15M]	26"[660]
#6[20M]	31"[790]
#7[25M]	36"[915]
#8[25M]	46"[1170]

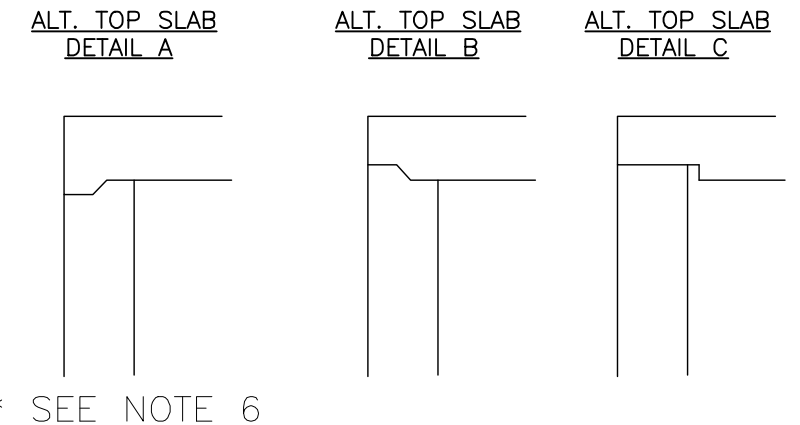


- NOTES:
- DESIGN LOAD = AASHTO HS20-44
  - CONCRETE STRENGTH = 5000psi
  - REINFORCING STEEL - GRADE 60
  - CHART BELOW SHOWS MAXIMUM DEPTH OF FILL FOR UNIT CLASS AT VARIOUS WATER TABLE DEPTHS. DRY INDICATED W/T BELOW UNIT. FILL DEPTHS GREATER THAN 10' SHALL REQUIRE SPECIAL DESIGN.
  - PIPE OPENINGS, SIZE AND LOCATION, AS REQUIRED. PROVIDE ADDITIONAL REINFORCING EQUAL TO THE BARS INTERRUPTED, 1/2 EACH SIDE. ADD #4 DIAGONAL TRIM BARS AROUND OPENINGS.
  - ALTERNATE SLAB DETAIL "A" CANNOT BE USED WITH FULL HEIGHT MONO BASE. FULL HEIGHT MONO BASE UNIT, MUST HAVE TOP SLAB IN PLACE PRIOR TO BACK FILLING.
  - THE OPENING SIZES AND LOCATIONS MAY VARY. FOR EXACT SIZES AND LOCATIONS SEE CONTECH PROJECT SPECIFIC DRAWINGS.

SECTION	0	3	6	9	DRY
FULL BASE	2.00	3.50	5.00	6.50	9.50



**FULL HEIGHT MONOLITHIC BASE UNIT**  
(BAR WEIGHT = 1279 LBS.)



PREPARED FOR:

TITLE: VORTECHS MODEL 5000 - 600 CLASS

PROJECT: VORTECHS

DRAWN BY: GJP

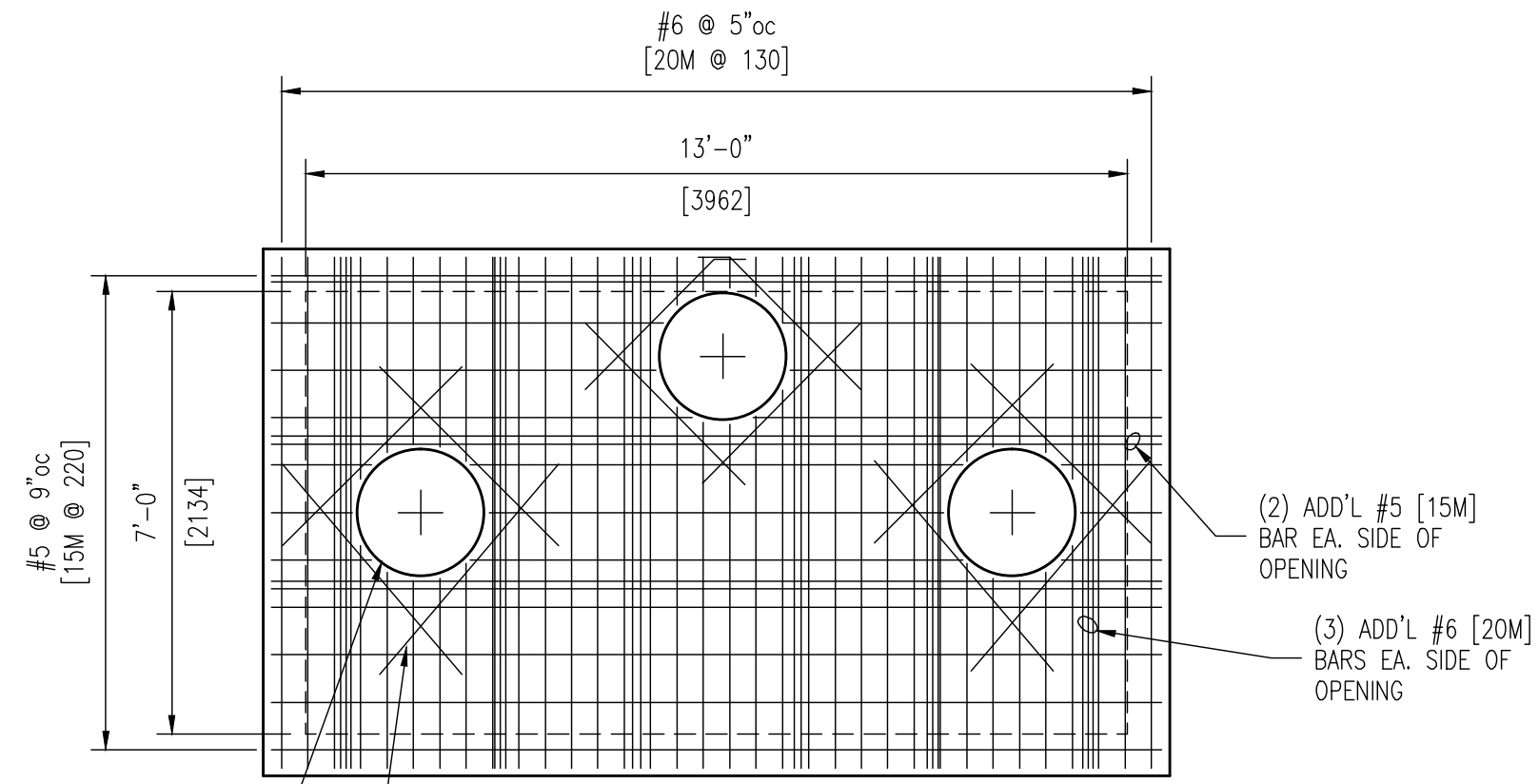
CHECKED BY: JTL

SCALE: NONE

DATE: 10/2009

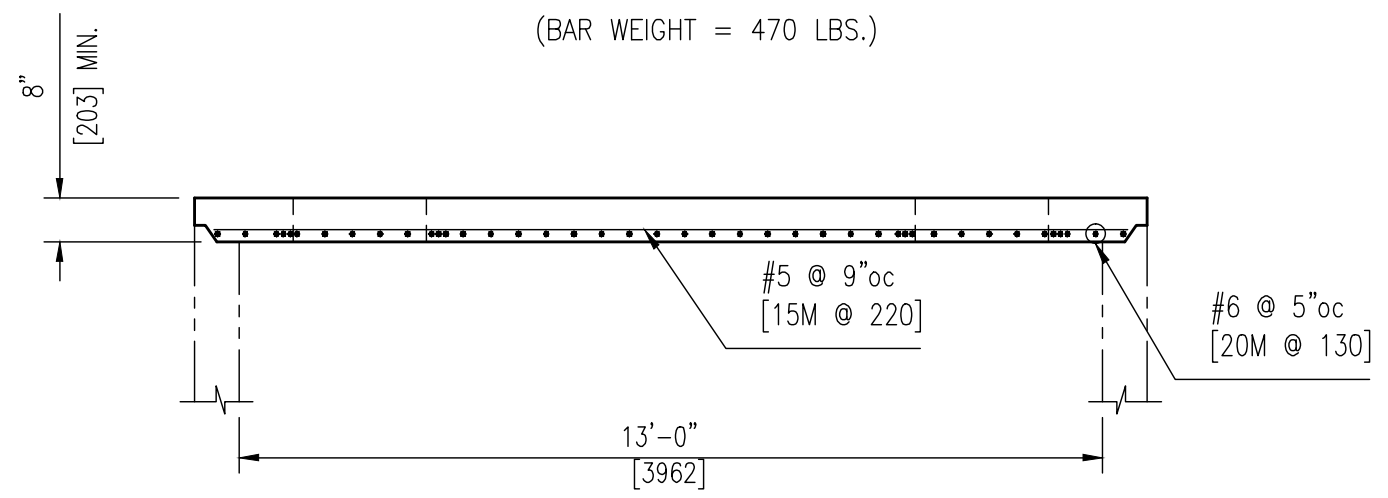
JOB No: 2007.025.033

NUMBER: MOD5K

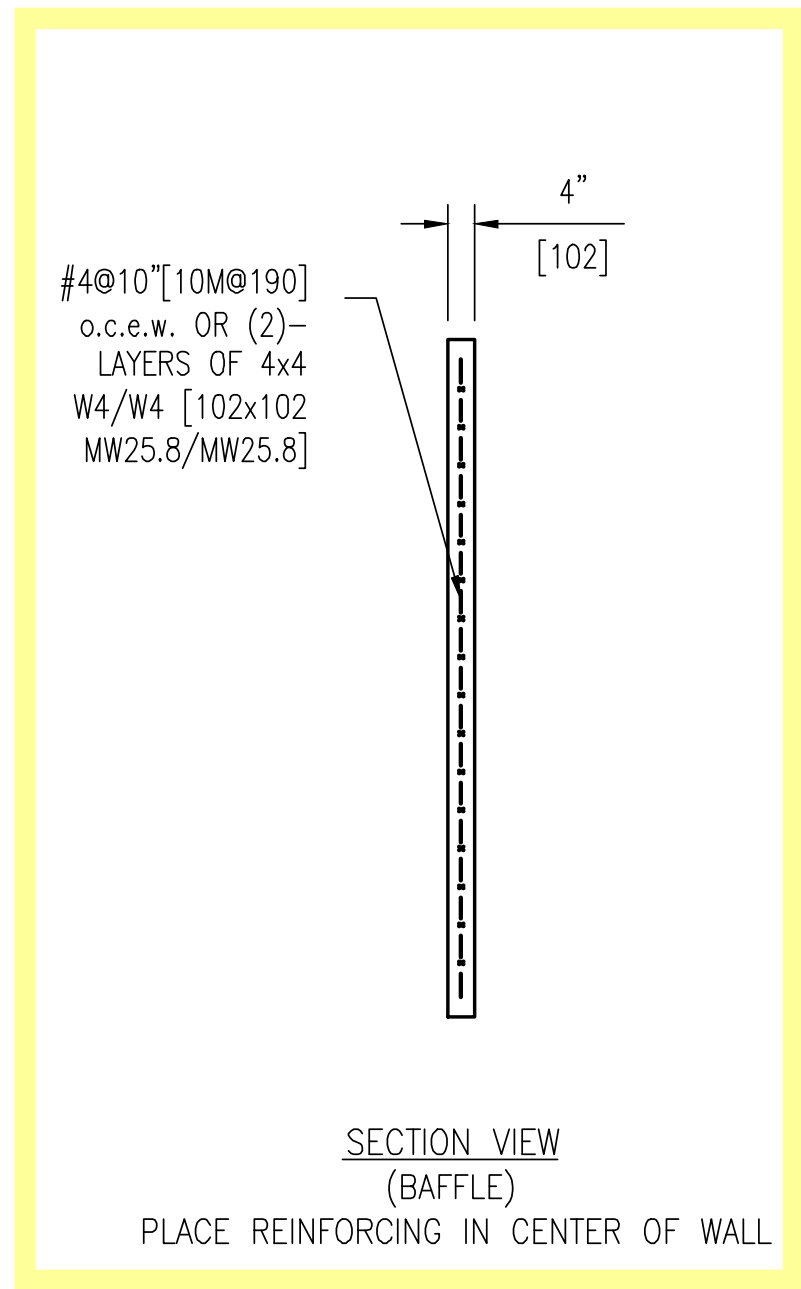


PLAN VIEW  
 (TOP SLAB)  
 ALL COVER 2"[51] U.N.O.

(BAR WEIGHT = 470 LBS.)



SECTION VIEW  
 (TOP SLAB)  
 ALL COVER 2"[51] U.N.O.



TITLE: VORTECHS MODEL 5000 – BASE & ROOF SLABS & BAFFLE  
 PREPARED BY: PROJECT: VORTECHS  
 DRAWN BY: GJP  
 CHECKED BY: JTL  
 SCALE: NONE

DATE: 10/2009  
 JOB No: 2007.025.033  
 NUMBER: MOD5KSLAB

PREPARED BY:  
**ADELTA**  
 ENGINEERS, ARCHITECTS, & LAND SURVEYORS  
 184 COURT STREET, BINGHAMTON, NY 13901  
 TEL: (607) 231-6600 FAX: (607) 231-6650