

Job Name: 26-1453 Clarksville, TN SPC13A
 Job Location: Clarksville, TN
 Contractor: Cleary Construction, Inc.

Plant: Beaver Dam

Tech: J. Coppage

4/23/2026 7:30:29 AM

PC: C. Goff



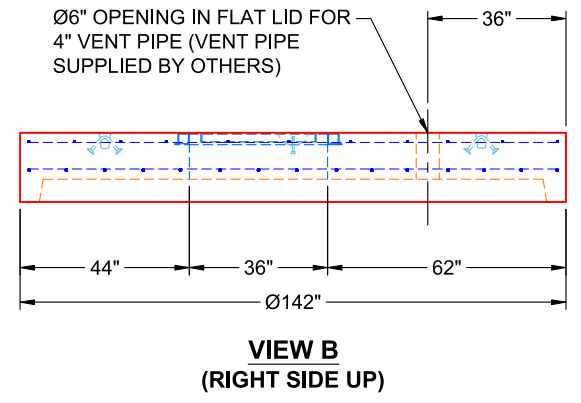
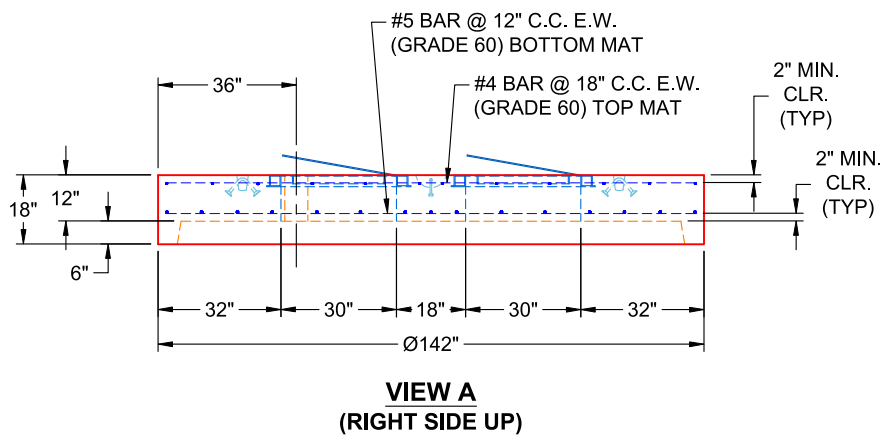
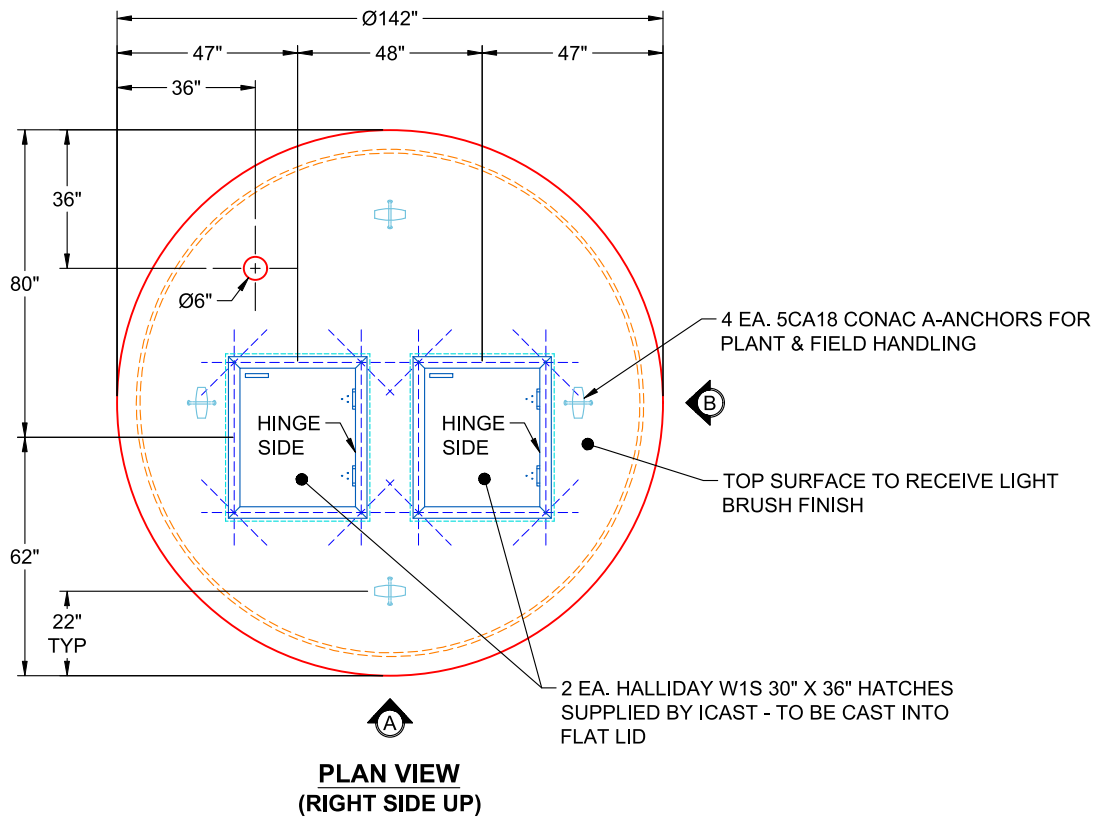
Structure ID: Wet Well-11-11

P5 MH120LD18SCDARED

MH FLAT TOP w/2x 30"x36" Hatches CONBLOCK CDA RED F/G

P6) 30" x 36" - HATCH (CAST FLUSH) - 0"	0 lb
P5) 120" - MH FLAT TOP w/2x 30"x36" Hatches CONBLOCK CDA RED F/G - 18"	15235 lb
P4) 120" - MH RISER w/CONBLOCK CDA RED T/G - 84"	31843 lb
P3) 120" - MH RISER w/CONBLOCK CDA RED T/G - 96"	36468 lb
P2) 120" - MH RISER w/CONBLOCK CDA RED T/G - 96"	36399 lb
P1) 120" - MH BASE SLAB w/CONBLOCK CDA RED T/n - 12"	22837 lb
4) JOINT WRAP - 12" WD x 120" MAC WRAP	0 lb
2) HATCH (Alum.) - HALLIDAY W1S 30"x36"	138 lb
1) This Structure Includes a Cast-in Item - Halliday W1S 30" x 36" Hatches (Supplied by iCast)	0 lb
1) ADMIXTURE CONBLOCK CDA RED	0 lb
4) 120" - Conseal CS-231 1.00" (Double)	0 lb
2) Z-Lok - C107-3	2 lb
1) A-Lok - 0285	1 lb
Structure Total:	142923 lb

- Structure Notes:**
- PER ASTM C-478 SPECIFICATIONS
 - CONCRETE: 4,000 PSI AT 28 DAYS
 - REINFORCEMENT - 2" MIN. REBAR CLEARANCE (TYP):
 - TOP MAT: #4 BAR @ 18" C.C. E.W. (GRADE 60)
 - BOTTOM MAT: #5 BAR @ 12" C.C. E.W. (GRADE 60)
 - CONBLOCK CDA RED ADMIXTURE REQUIRED
 - 2 EA. HALLIDAY W1S 30" X 36" HATCHES SUPPLIED BY ICAST - TO BE CAST INTO FLAT LID
 - VENT PIPE SUPPLIED BY OTHERS
 - LIFTERS: 4 EA. 5CA18 CONAC A-ANCHORS FOR PLANT & FIELD HANDLING - INSTALLED AS SHOWN
 - TOP SURFACE TO RECEIVE LIGHT BRUSH FINISH



Coating (Int): Coating (Ext):	Seam Up: Flat Seam Dn: Groove	Wall Thickness: 11"	Height (Ext): 18"	Weight (Net): 15235 lb Volume (Net): 3.89cu.yd
----------------------------------	----------------------------------	---------------------	-------------------	---

Job Number:

26-1453

Job Name:

SPC13A

Structure:

Wet Well-11-11

Note:

2 Each Halliday W1S 30" x 36"
Hatches Supplied By iCast To Be
Cast Into Flat Lid

Job Name: 26-2037 830068 Marketplace
 Job Location: Georgetown, KY
 Contractor: Contech Engineering Solutions

Plant: Beaver Dam
 4/24/2026 2:06:23 PM

Tech: S. Felletter
 PC: S. Goff



Structure ID: 15-CS-10

P1 MH120BVF

MH MONOBASE 14F, Custom Ht T/n

P5) 24" - CASTING HEIGHT - 4"	0 lb
P4) 120" - MH FLAT TOP SPEC. (2 - 24"Ø HOLES) F/G - 18"	16223 lb
P3) 120" - MH RISER T/G - 84"	31909 lb
P2) 120" - MH RISER T/G - 96"	34322 lb
P1) 120" - MH MONOBASE 14F, Custom Ht T/n - 36"	32280 lb
1) CVSTENCILING	0 lb
1) ASSEMBLY REQUIRED - BRACKETS ONLY	0 lb
3) 120" - Conseal CS-102 1.00"	0 lb
2) Hole - 38	0 lb
Structure Total:	114734 lb

Structure Notes:
 4" CASTING BY OTHERS

 ICAST TO INSTALL THE INTERNAL BRACKETS,
 INTERNAL COMPONENTS TO BE INSTALLED ON
 SITE BY CONTECH FIELD CONSULTANT

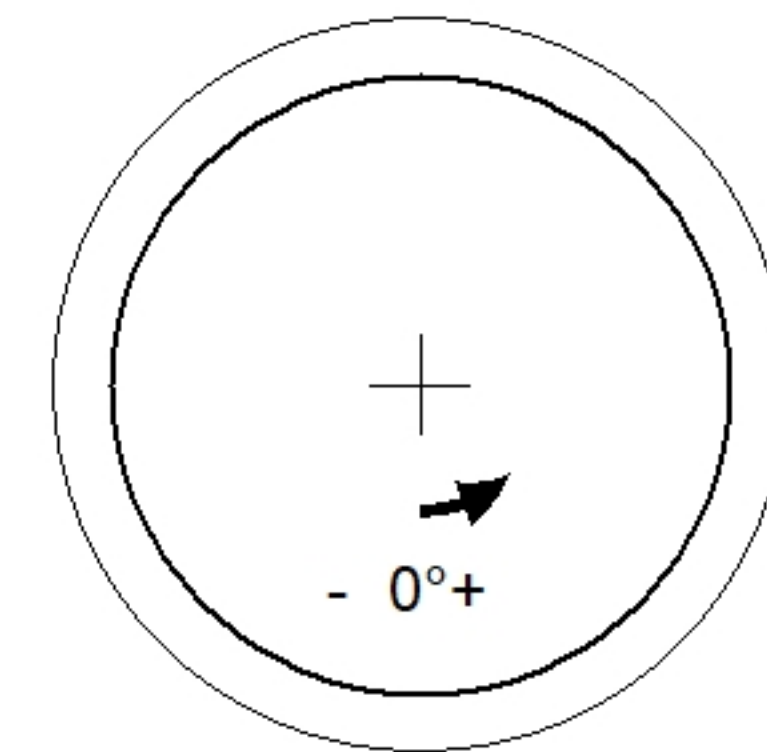
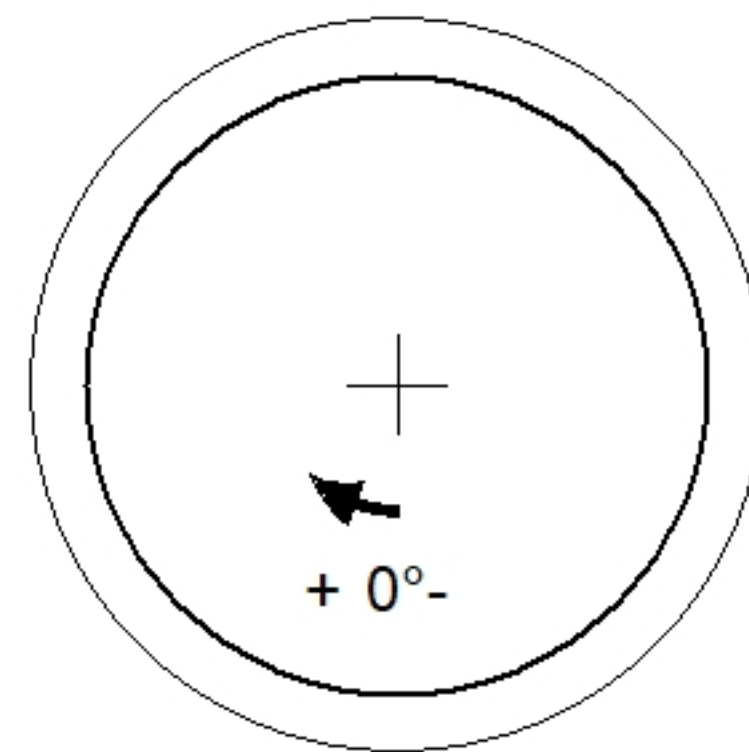
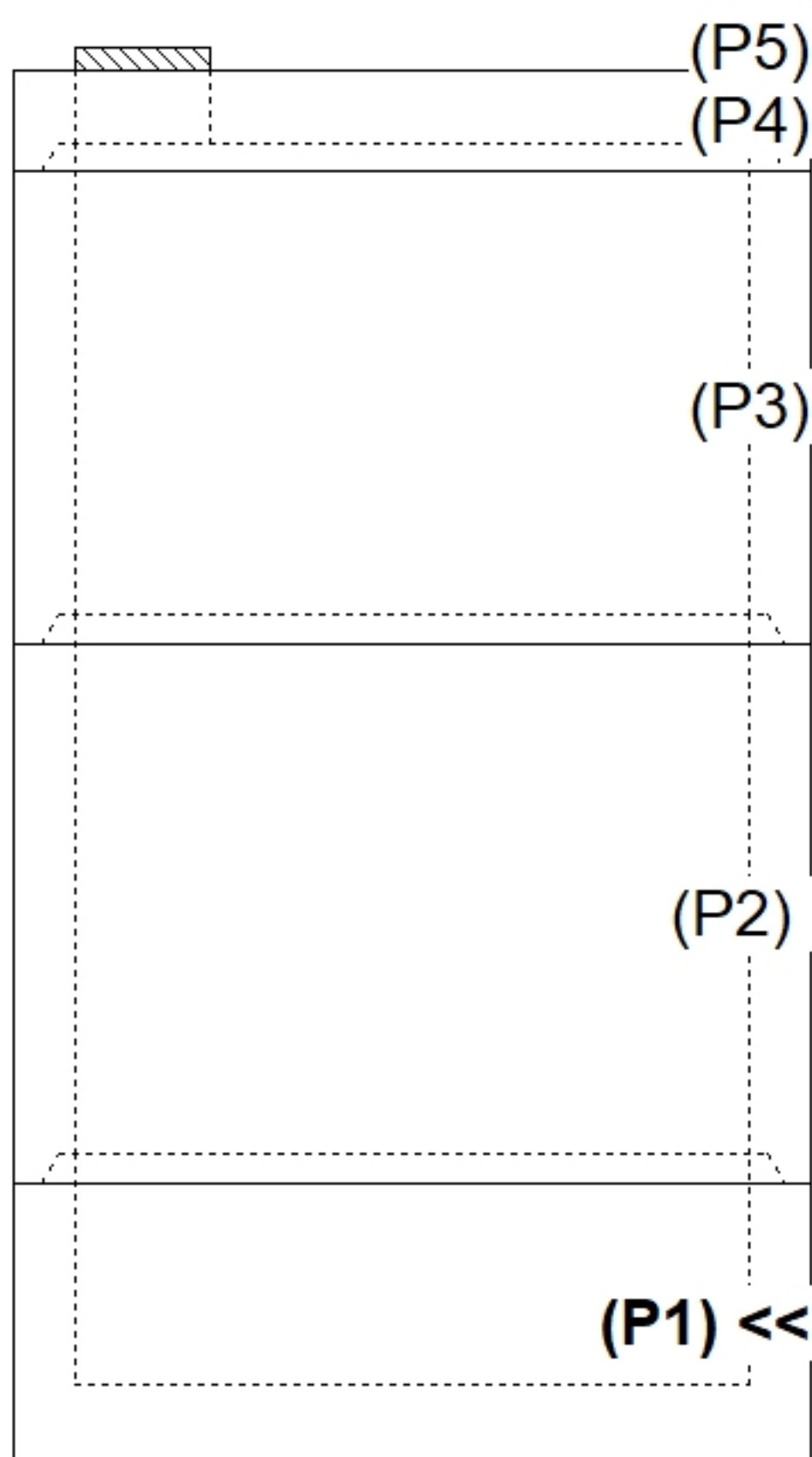
 CONTECH'S LOGO AS WELL AS THE
 INLET AND OUTLET MUST BE
 STENCILED ONTO THE STRUCTURE

Rim: 833.75' Rim to Invert: 12.25' Slack: 1.076" Sump: 92.076" Step Position:

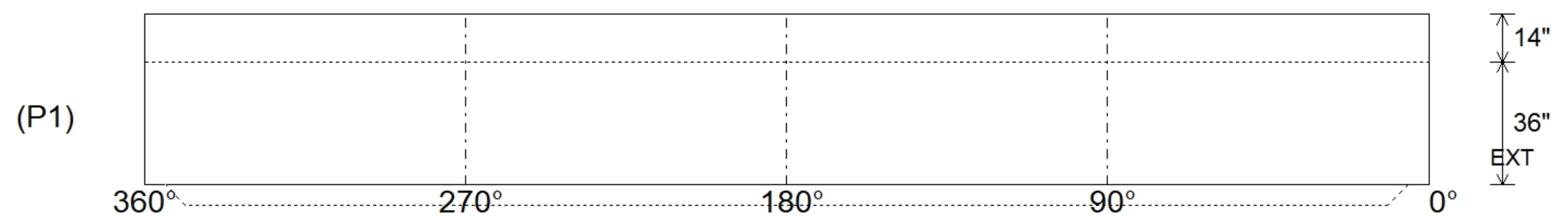
Position	Elev	Angle	Ext. (cw)	Pipe	Pipe OD	Connector	Hole	Horz Size	Up (L)	Offset
Invert 1										
Invert 2										
Invert 3										
Invert 4										
Invert 5										
Invert 6										
Invert 7										
Invert 8										

RIGHT-SIDE UP VIEW (int. dimensions)

UPSIDE-DOWN VIEW (int. dimensions)



INSIDE WALL DIMENSIONS



Coating (Int):
 Coating (Ext):

Seam Up: Tongue
 Seam Dn: n/a

Wall Thickness: 11"
 Floor Height: 14"

Height (Int): 36"
 Height (Ext): 50"

Weight (Net): 32280 lb
 Volume (Net): 8.24cu.yd

Job Name: 25-4733 - The Paddock
 Job Location: Springfield, KY
 Contractor: Core & Main LP (Lou)

Plant: 100

5/14/2026 11:31:27 AM

Tech: Jared - F

PC: T. Lewis



Structure ID: SSWR-3

P2 MH048RS36

MH RISER T/G

- P4) 24" - CASTING HEIGHT - 7"
- P3) 48" - ECC CONE w/ 24" HOLE F/G - 30"
- P2) 48" - MH RISER T/G - 36"
- P1) 48" - MH BASE T/n - 24"
- 1) JOINT WRAP - 0.065"x6"x50' CONSEAL CS212
- 1) JOINT WRAP PRIMER - CONSEAL CS-75 (1 gal.)
- 1) 48" - MH INVERT CHANNEL - FULL HEIGHT
- 1) CASTING - HOE MC-315 F/C Sanitary
- 2) 48" - Conseal CS-102 1.00" (Double)
- 2) PSX - 12M NYLO
- 1) PSX - 12-06 NYLO
- 7) MH Step ML-10-TDS-NCR - 10"

0 lb
 2050 lb
 2515 lb
 2863 lb
 0 lb
 0 lb
 1440 lb
 258 lb
 0 lb
 16 lb
 8 lb
 0 lb

 Structure Total: 9150 lb

Structure Notes:

1. PER ASTM C478 SPECIFICATIONS.
2. CONCRETE = 4,000 PSI AT 28 DAYS.
3. CASTING BY ICAST (HOE MC-315 F/C SANITARY).

REINFORCING PER ASTM A615 (GRADE 60).

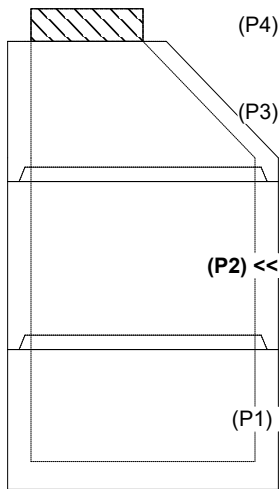
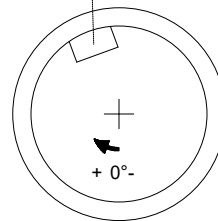
- CONE (As .12)
- RISER/WALLS (As .12)
- FLOOR (As .31) #5 BARS AT 12" C.C.E.W.

Rim: 888.08' Rim to Invert: 7.96' Slack: 0.52" Sump: 2" Step Position: 160°

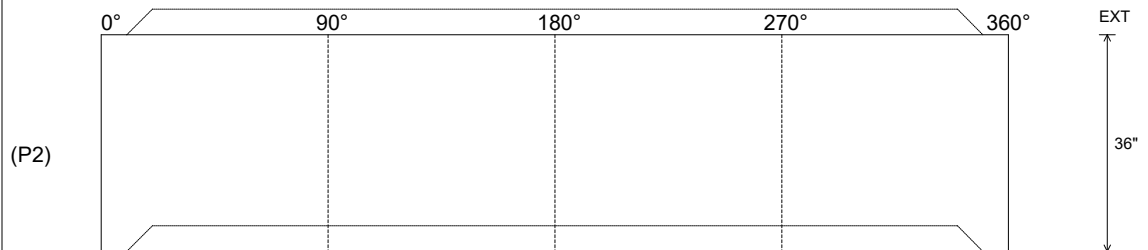
Position	Elev	Angle	Ext. (cw)	Pipe	Pipe OD	Connector	Hole	Horz Size	Up (L)	Offset
Invert 1										
Invert 2										
Invert 3										
Invert 4										
Invert 5										
Invert 6										
Invert 7										
Invert 8										

RIGHT-SIDE UP VIEW (int. dimensions)

Step: 160°
 Horz: 67"



INSIDE WALL DIMENSIONS



Coating (Int):
 Coating (Ext):

Seam Up: Tongue
 Seam Dn: Groove

Wall Thickness: 5"
 Floor Height: 0"

Height (Int): 36"
 Height (Ext): 36"

Weight (Net): 2515 lb
 Volume (Net): 0.64cu.yd

Job Name: 25-4731 - Mantra Journey Dispensary
 Job Location: Bardstown, KY 40004
 Contractor: Hale Contracting

Plant: 100

5/15/2026 12:12:17 PM

Tech: Jared - A

PC: T. Ryan



Structure ID: ST-1 (2)

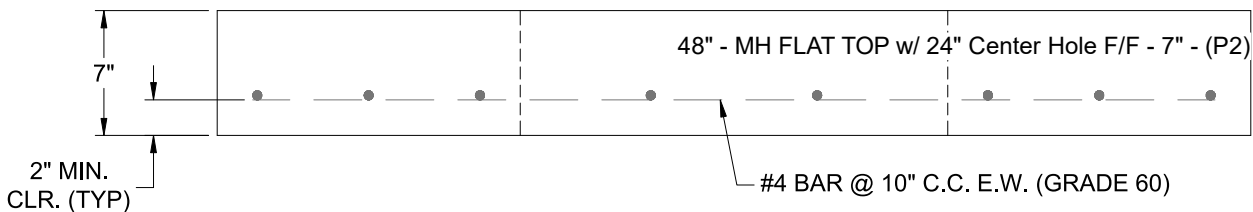
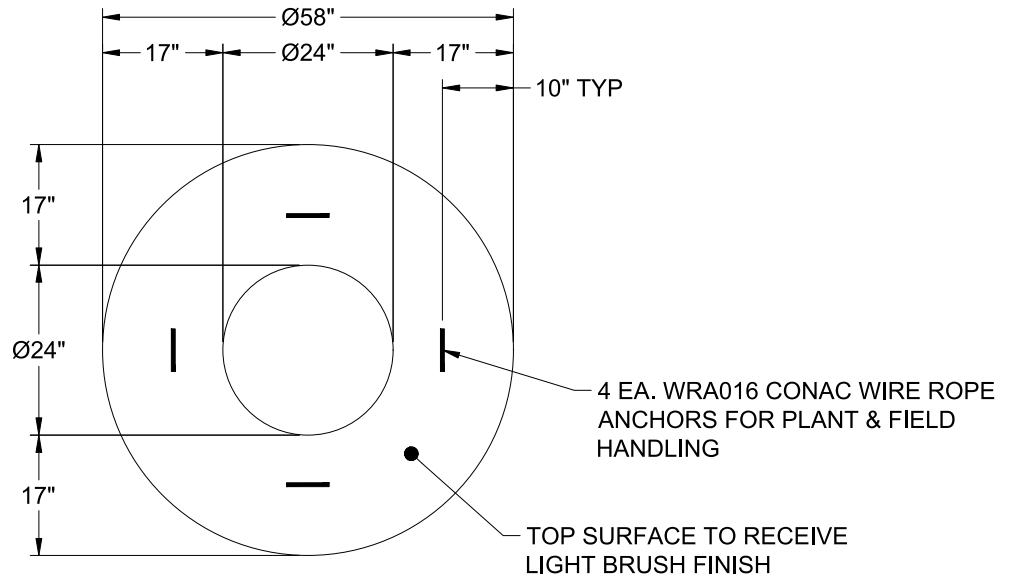
P2 MH048LD07

MH FLAT TOP w/ 24" Center Hole F/F

- P3) 24" - CASTING HEIGHT - 7"
- P2) 48" - MH FLAT TOP w/ 24" Center Hole F/F - 7"
- P1) 48" - MH BASE Custom Ht F/n - 28"
- 1) SECONDARY POUR - Weir Wall (48" X 8.4" X 4")
- 1) 48" - Conseal CS-102 1.00"
- 1) 24" - Conseal CS-102 1.00"
- 2) Hole - 24
- 2) Hole - 12

	0 lb
	1700 lb
	2789 lb
	140 lb
	0 lb
	0 lb
	0 lb
	0 lb
Structure Total:	4629 lb

- Structure Notes:
1. PER ASTM C-478 SPECIFICATIONS
 2. CONCRETE: 4,000 PSI AT 28 DAYS
 3. REINFORCEMENT: #4 BAR @ 10" C.C. E.W. (GRADE 60) - 2" MIN. REBAR CLEARANCE (TYP)
 4. HOE MC-420 FRAME & COVER "STORM" SUPPLIED BY ICAST
 5. LIFTERS: 4 EA. WRA016 CONAC WIRE ROPE ANCHORS FOR PLANT & FIELD HANDLING
 6. TOP SURFACE TO RECEIVE FLOATED FINISH



Coating (Int): Coating (Ext):	Seam Up: Flat Seam Dn: Flat	Wall Thickness: 5"	Height (Ext): 7"	Weight (Net): 1700 lb Volume (Net): 0.42cu.yd
----------------------------------	--------------------------------	--------------------	------------------	--

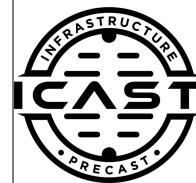
Job Name: 25-4731 - Mantra Journey Dispensary
 Job Location: Bardstown, KY 40004
 Contractor: Hale Contracting

Plant: 100

5/15/2026 12:12:18 PM

Tech: Jared - A

PC: T. Ryan



Structure ID: ST-3 (4)

P2 MH048LD07-18x36RECT

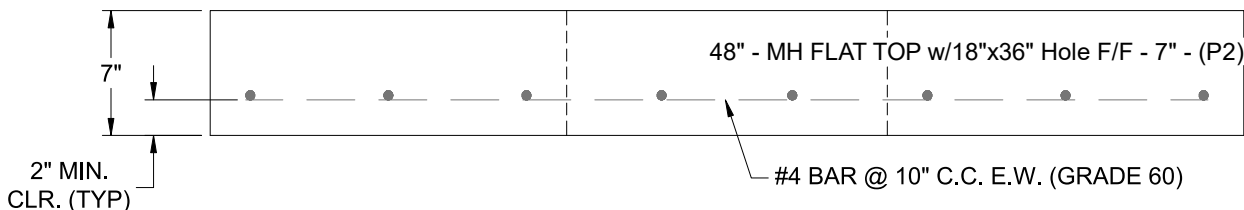
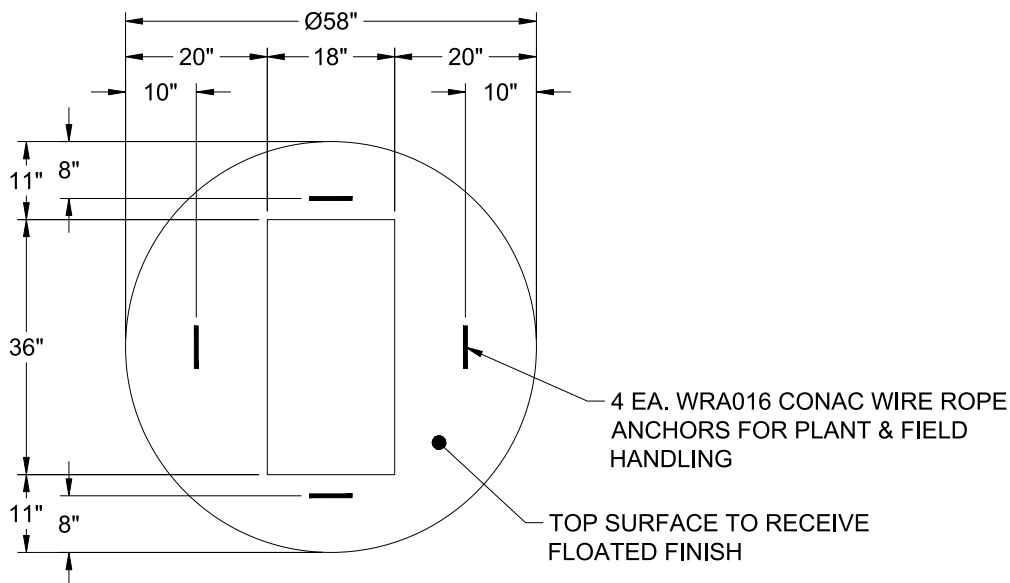
MH FLAT TOP w/18"x36" Hole F/F

- P3) 18" x 36" - CASTING HEIGHT - 5.5"
- P2) 48" - MH FLAT TOP w/18"x36" Hole F/F - 7"
- P1) 48" - MH BASE Custom Ht F/n - 27"
- 1) CASTING - HOE 580-LV F/G
- 1) 48" - Conseal CS-102 1.00"
- 1) 18" x 36" - Conseal CS-102 1.00"
- 1) Hole - 16

- 0 lb
- 1171 lb
- 3131 lb
- 514 lb
- 0 lb
- 0 lb
- 0 lb
- 0 lb

Structure Total: 4816 lb

- Structure Notes:
1. PER ASTM C-478 SPECIFICATIONS
 2. CONCRETE: 4,000 PSI AT 28 DAYS
 3. REINFORCEMENT: #4 BAR @ 10" C.C. E.W. (GRADE 60) - 2" MIN. REBAR CLEARANCE (TYP)
 4. HOE 580-LV FRAME & L-VANE GRATES SUPPLIED BY ICAST
 5. LIFTERS: 4 EA. WRA016 CONAC WIRE ROPE ANCHORS FOR PLANT & FIELD HANDLING
 6. TOP SURFACE TO RECEIVE FLOATED FINISH



Coating (Int):
 Coating (Ext):

Seam Up: Flat
 Seam Dn: Flat

Wall Thickness: 5"

Height (Ext): 7"

Weight (Net): 1171 lb
 Volume (Net): 0.3cu.yd

Job Name: 25-2511B - Blue Sky Sec 1 (Storm)	Plant: 100	Tech: J. Horsley - F
Job Location: Clarksville, TN	11/17/2025 5:02:11 PM	PC: A. Chambers
Contractor: Byard Construction, LLC		

Structure ID: AF

P1 MH048BAVF

MH BASE Custom Ht F/n

P3) 24" x 36" - CASTING HEIGHT - 6"	0 lb
P2) 48" - MH FLAT TOP w/24"x36" Hole F/F - 7"	1044 lb
P1) 48" - MH BASE Custom Ht F/n - 38"	3156 lb
1) Conseal CS-102 1.00" (Single)	0 lb
1) CASTING - JBS 3080-V SET (F/G/H)	500 lb
2) Hole - 30	0 lb
1) Hole - 24	0 lb
Structure Total:	4700 lb

Structure Notes:
 1. PER ASTM C478 SPECIFICATIONS.
 2. CONCRETE = 4,000 PSI AT 28 DAYS.
 3. NO STEPS AND NO INVERT CHANNEL.
 4. CASTING BY I-CAST (JBS 3080-V SET F/G/H).

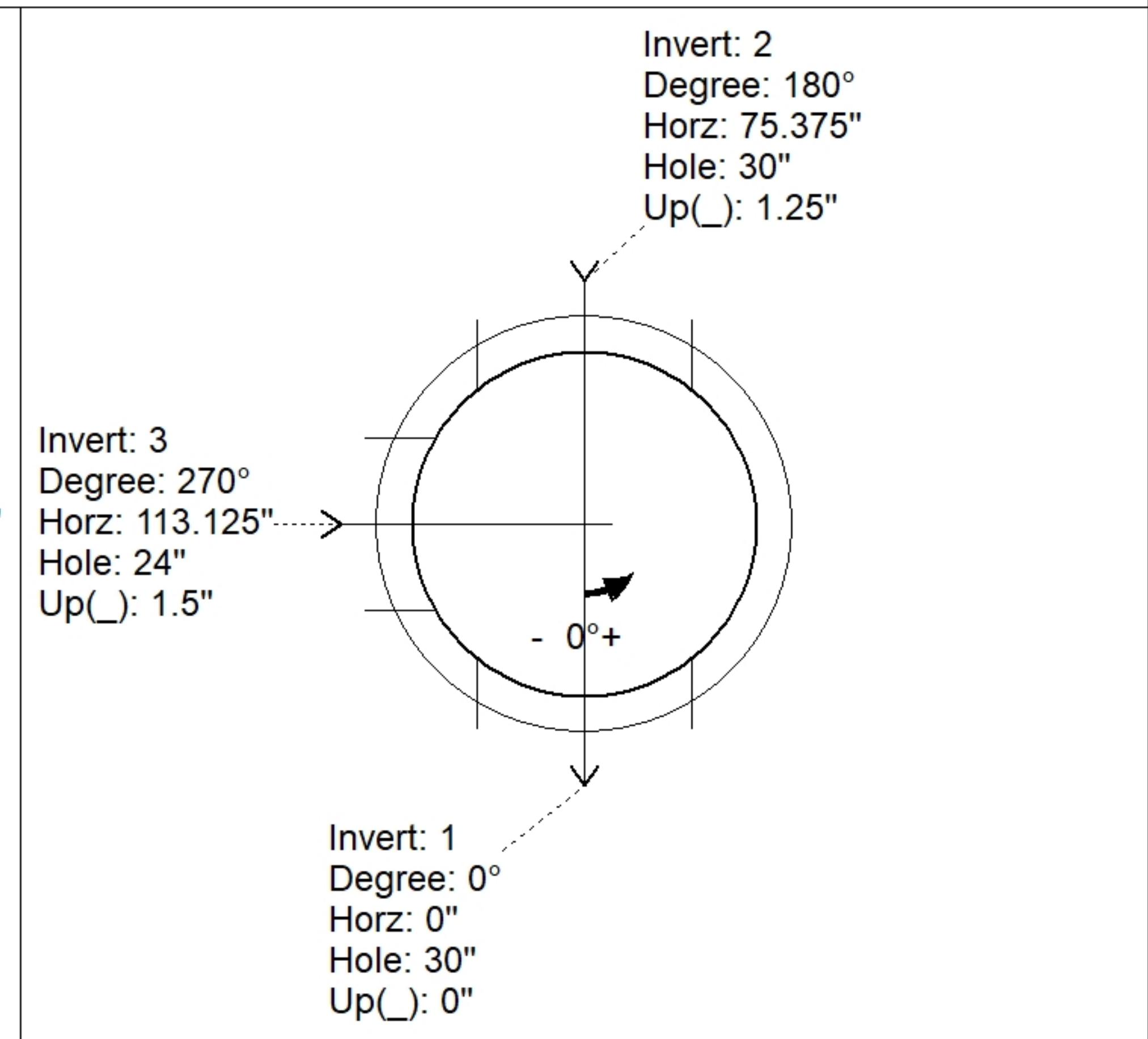
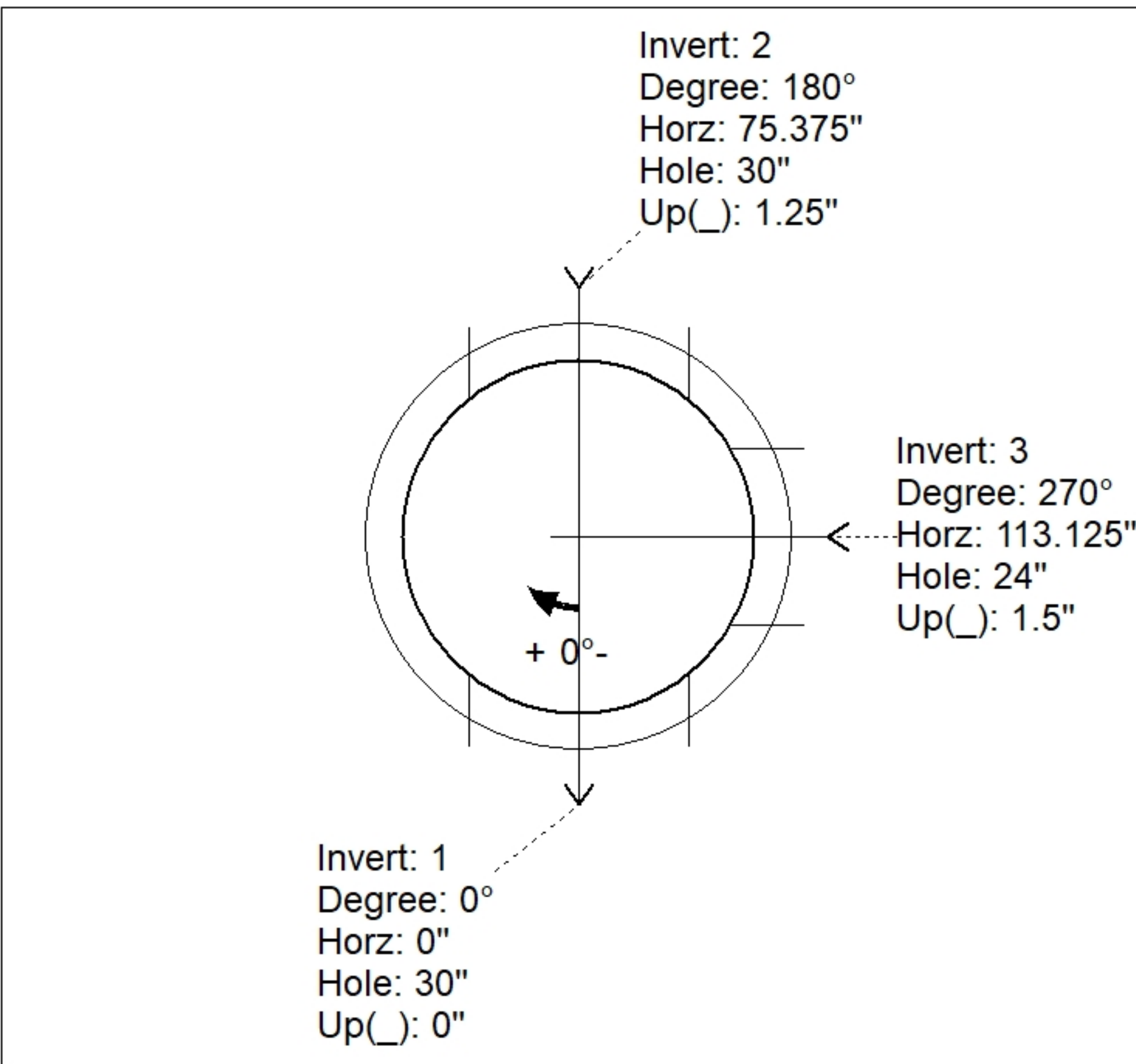
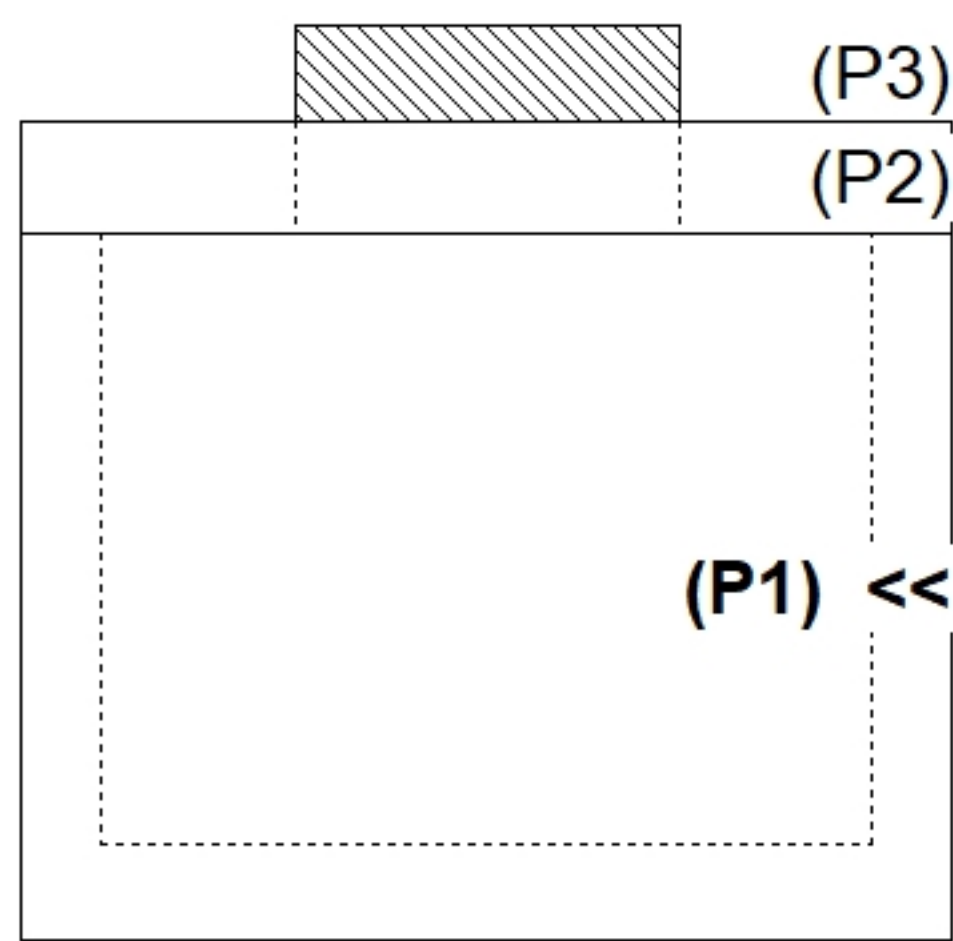
REINFORCING PER ASTM A615 (GRADE 60).
 - TOP SLAB (As .62) #5 BARS AT 6" C.C.E.W..
 - RISER/WALLS (As .12)
 - FLOOR (As .31) #5 BARS AT 12" C.C.E.W.

Rim: 507.24' Rim to Invert: 4.15' Slack: 0.7" Sump: 1.9" Step Position:

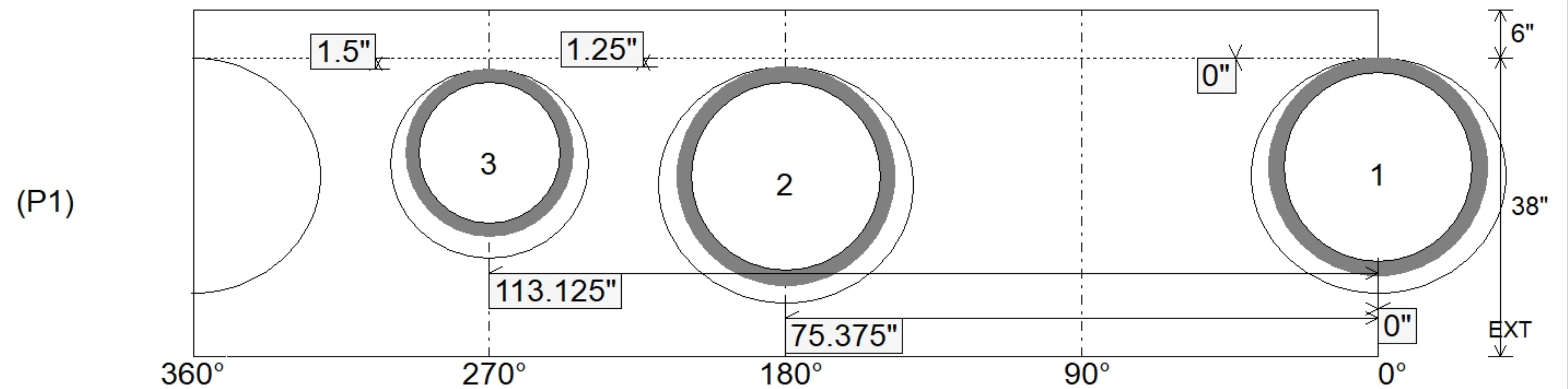
Position	Elev	Angle	Ext. (cw)	Pipe	Pipe OD	Connector	Hole	Horz Size	Up ()	Offset
Invert 1	503.09'	0°	0"	24" HDPE	27.8"	Hole 30	30"	32.406"	0"	0"
Invert 2	503.19'	180°	91.125"	24" HDPE	27.8"	Hole 30	30"	32.406"	1.25"	0"
Invert 3	503.19'	270°	136.625"	18" HDPE	21.2"	Hole 24	24"	25.133"	1.5"	0"
Invert 4										
Invert 5										
Invert 6										
Invert 7										
Invert 8										

RIGHT-SIDE UP VIEW (int. dimensions)

UPSIDE-DOWN VIEW (int. dimensions)



INSIDE WALL DIMENSIONS



Coating (Int):	Seam Up: Flat	Wall Thickness: 5"	Height (Int): 38"	Weight (Net): 3156 lb
Coating (Ext):	Seam Dn: n/a	Floor Height: 6"	Height (Ext): 44"	Volume (Net): 0.81cu.yd

Job Name: 25-2952 - KYTC Jefferson Co Call 106 (251315)
 Job Location: Indiana, KY
 Contractor: Louisville Paving and Construction

Plant: 100

5/12/2026 12:59:23 PM

Tech: J. Horsley - A

PC: J. Jarvis



Structure ID: 120

P1 MH048BAVF

MH BASE Custom Ht T/n

- P3) 24" - CASTING HEIGHT - 8"
- P2) 48" - MH FLAT LID w/24in ECC Hole F/G - 12"
- P1) 48" - MH BASE Custom Ht T/n - 22"
- 1) 48" - Conseal CS-102 1.00"
- 2) Hole - 18
- 1) Hole - 16
- 2) MH Step ML-10-TDS-NCR - 10"

0 lb
 1561 lb
 2563 lb
 0 lb
 0 lb
 0 lb
 0 lb

 4124 lb

Structure Total: 4124 lb

Structure Notes:

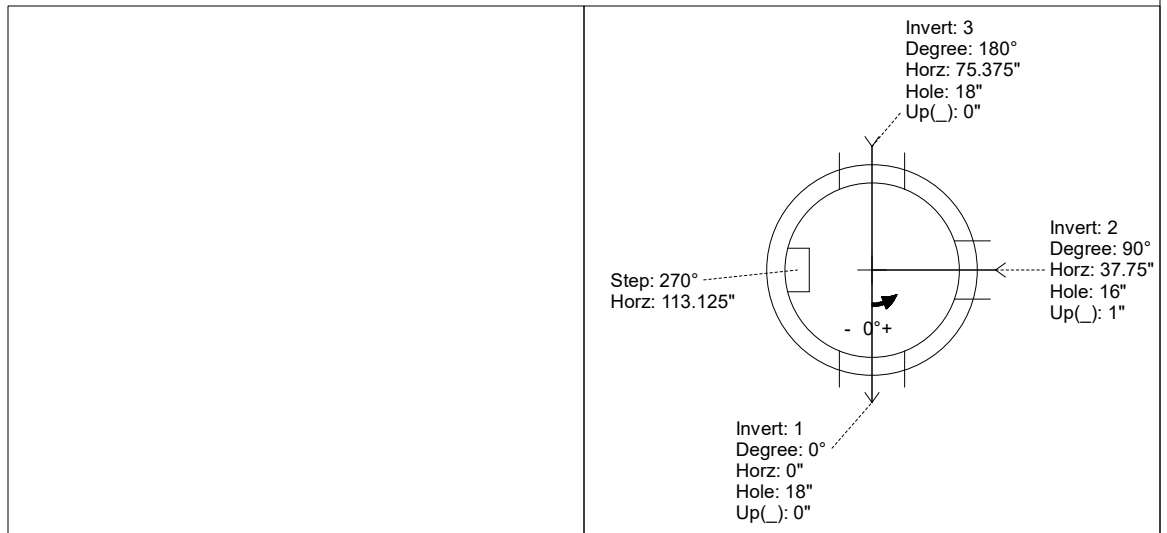
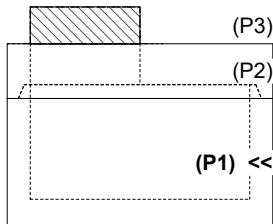
- **KYTC STATE PROJECT**
- 1. PER KYTC MANHOLE TYPE A / ASTM C-478 SPECS
- 2. CONCRETE: 4,000 PSI AT 28 DAYS
- 3. REINFORCEMENT: PER ASTM A615
- 4. NO STORM INVERT
- 5. STEPS AT 270 DEGREES
- 6. HOE KY-510 FRAME & COVER "STORM" SUPPLIED BY OTHERS

Rim: 567.33' Rim to Invert: 3.25' Slack: 0" Sump: 3" Step Position: 0°

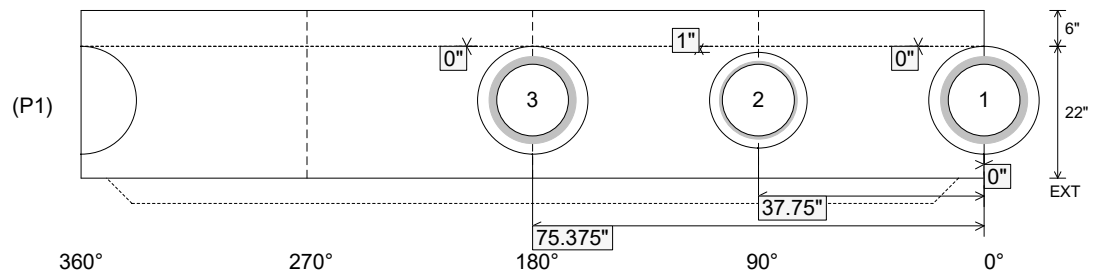
Position	Elev	Angle	Ext. (cw)	Pipe	Pipe OD	Connector	Hole	Horz Size	Up ()	Offset
Invert 1	564.08'	0°	0"	12" HDPE	14.5"	Hole 18	18"	18.451"	0"	0"
Invert 2	564.08'	90°	45.5"	12" CMP	13"	Hole 16	16"	16.312"	1"	0"
Invert 3	564.08'	180°	91.125"	12" HDPE	14.5"	Hole 18	18"	18.451"	0"	0"
Invert 4										
Invert 5										
Invert 6										
Invert 7										
Invert 8										

RIGHT-SIDE UP VIEW (int. dimensions)

UPSIDE-DOWN VIEW (int. dimensions)



INSIDE WALL DIMENSIONS



Coating (Int):
 Coating (Ext):

Seam Up: Tongue
 Seam Dn: n/a

Wall Thickness: 5"
 Floor Height: 6"

Height (Int): 22"
 Height (Ext): 28"

Weight (Net): 2563 lb
 Volume (Net): 0.66cu.yd

Job Name: 25-4279 - KYTC Christian Co (251031)
 Job Location: Hopkinsville, KY
 Contractor: CITCO Water

Plant: 100
 5/8/2026 11:23:27 AM

Tech: Jared- F
 PC: C. Goff



Structure ID: 90+66 ARV

P2 MH048DHVF

MH DH RISER Custom Ht T/F

- P4) 24" - CASTING HEIGHT - 7"
- P3) 48" - MH FLAT TOP w/ 24" ECC Hole F/G - 12"
- P2) 48" - MH DH RISER Custom Ht T/F - 35"
- P1) 48" - P.I.P. BY OTHERS - BTM SLAB F/n - 0"
- 1) JOINT WRAP - 0.065"x6"x50' CONSEAL CS212
- 1) JOINT WRAP PRIMER - CONSEAL CS-75 (1 gal.)
- 2) 48" - Conseal CS-102 1.00" (Double)
- 2) DOGHOUSE - 8"x8"

0 lb
 1561 lb
 2370 lb
 0 lb
 0 lb
 0 lb
 0 lb
 0 lb
 0 lb
 Structure Total: 3931 lb

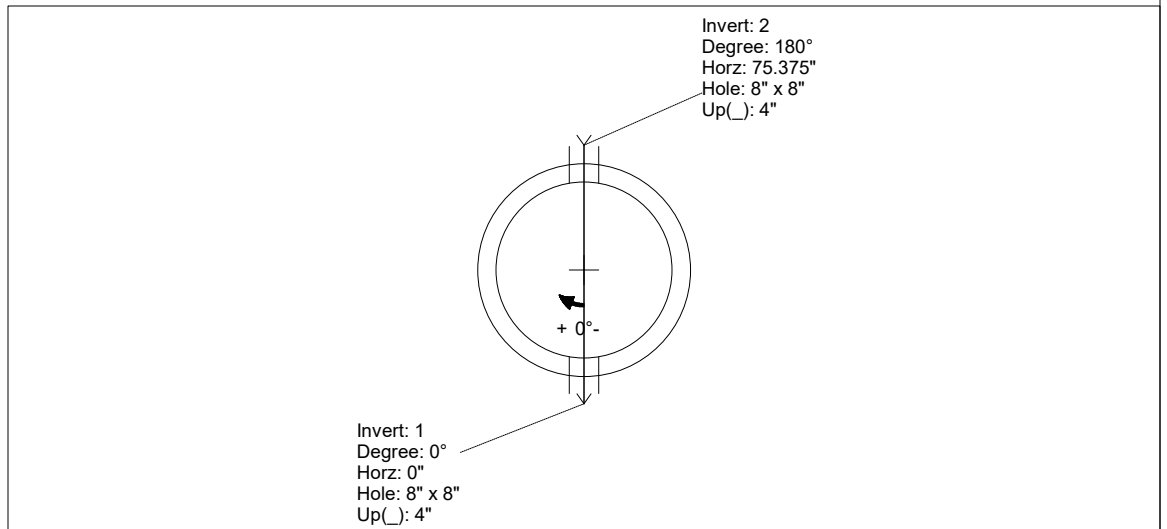
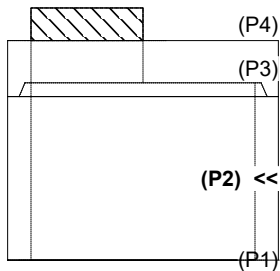
Structure Notes:
 1. PER ASTM C478 SPECIFICATIONS.
 2. CONCRETE = 4,000 PSI AT 28 DAYS.
 3. NO STEPS.
 4. CASTING SUPPLIED BY OTHERS.

 REINFORCING PER ASTM A615 (GRADE 60).
 - TOP SLAB = H20 LOADING.
 - RISER/WALLS (As .12)

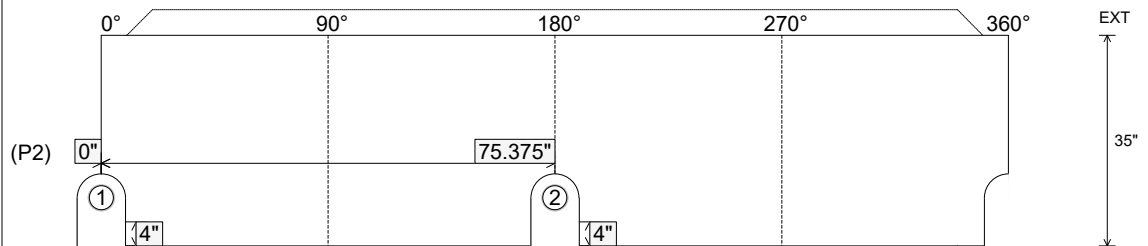
Rim: 529.99' Rim to Invert: 4' Slack: 0" Sump: 6" Step Position:

Position	Elev	Angle	Ext. (cw)	Pipe	Pipe OD	Connector	Hole	Horz Size	Up ()	Offset
Invert 1	525.99'	0°	0"	4" PVC SDR21	4.375"	DOGHOUSE 8"x8"	8" x 8"	8.038"	4"	0"
Invert 2	525.99'	180°	91.125"	4" PVC SDR21	4.375"	DOGHOUSE 8"x8"	8" x 8"	8.038"	4"	0"
Invert 3										
Invert 4										
Invert 5										
Invert 6										
Invert 7										
Invert 8										

RIGHT-SIDE UP VIEW (int. dimensions)



INSIDE WALL DIMENSIONS



Coating (Int): Coating (Ext):	Seam Up: Tongue Seam Dn: Flat	Wall Thickness: 5" Floor Height: 0"	Height (Int): 35" Height (Ext): 35"	Weight (Net): 2370 lb Volume (Net): 0.6cu.yd
----------------------------------	----------------------------------	--	--	---

Structure ID: 2301536

P3 MH048RS72

MH RISER T/G

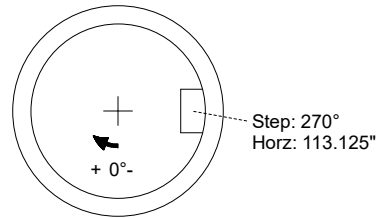
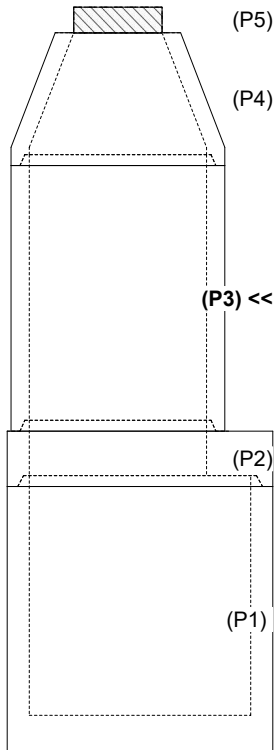
P5) 24" - CASTING HEIGHT - 7" P4) 48" - CON CONE w/24" HOLE F/G - 36" P3) 48" - MH RISER T/G - 72" P2) 60" - MH Transition Slab 48" Hole T/G - 15" P1) 60" - MH BASE (10"F) Custom Ht T/n - 62" 1) 60" - MH INVERT CHANNEL - FULL HEIGHT 1) 60" - Conseal CS-102 1.00" (Double) 2) 48" - Conseal CS-102 1.00" (Double) 2) A-Lok - 1235 14) MH Step ML-10-TDS-NCR - 10"	0 lb 2252 lb 5030 lb 2204 lb 8534 lb 2692 lb 0 lb 0 lb 2 lb 0 lb ----- Structure Total: 20715 lb
---	---

- Structure Notes:
1. PER ASTM C-478 SPECIFICATIONS
 2. CONCRETE: 4,000 PSI AT 28 DAYS
 3. REINFORCEMENT: PER ASTM A615
 4. STEPS AT 270 DEGREES
 5. 7" CASTING SUPPLIED BY OTHERS

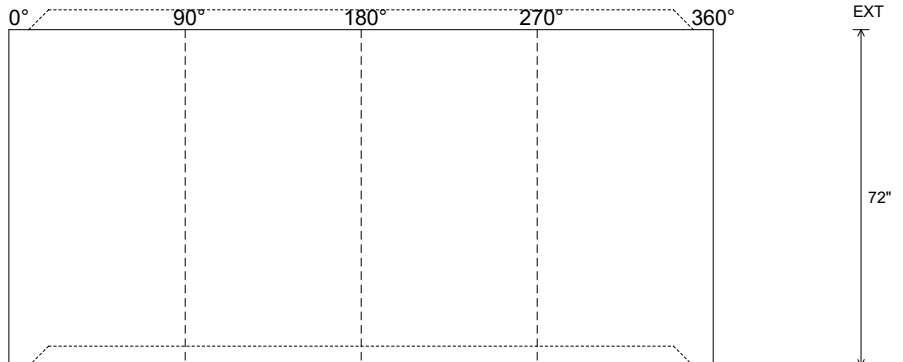
Rim: 746.98' Rim to Invert: 15.97' Slack: 2.64" Sump: 3" Step Position: 270°

Position	Elev	Angle	Ext. (cw)	Pipe	Pipe OD	Connector	Hole	Horz Size	Up ()	Offset
Invert 1										
Invert 2										
Invert 3										
Invert 4										
Invert 5										
Invert 6										
Invert 7										
Invert 8										

RIGHT-SIDE UP VIEW (int. dimensions)



INSIDE WALL DIMENSIONS



Coating (Int): Coating (Ext):	Seam Up: Tongue Seam Dn: Groove	Wall Thickness: 5" Floor Height: 0"	Height (Int): 72" Height (Ext): 72"	Weight (Net): 5030 lb Volume (Net): 1.28cu.yd
----------------------------------	------------------------------------	--	--	--

Job Name: 26-1219 - 1662 Pinkerton Road
 Job Location: Brentwood, TN
 Contractor: Hayes Pipe Supply

Plant: 100
 5/11/2026 5:31:56 PM

Tech: Jared - F
 PC: T. Ryan



Structure ID: 3-7 SS-MH

P1 MH048BA36CDARED

MH BASE w/ConBlock-CDA Red T/n

P4) 24" - CASTING HEIGHT - 7"	0 lb
P3) 48" - CON CONE w/24" HOLE, w/ConBlock-CDA Red F/G - 36"	2251 lb
P2) 48" - MH RISER w/ConBlock-CDA Red T/G - 60"	4192 lb
P1) 48" - MH BASE w/ConBlock-CDA Red T/n - 36"	3749 lb
1) JOINT WRAP - 0.065"x6"x50' CONSEAL CS212	0 lb
1) JOINT WRAP PRIMER - CONSEAL CS-75 (1 gal.)	0 lb
1) 48" - MH INVERT CHANNEL w/ConBlock-CDA Red - FULL HEIGHT	1440 lb
2) 48" - Conseal CS-102 1.00" (Double)	0 lb
2) PSX - 12-08 NYLO	16 lb
11) MH Step ML-10-TDS-NCR - 10"	0 lb
Structure Total:	11648 lb

Structure Notes:
 1. PER ASTM C478 SPECIFICATIONS.
 2. CONCRETE = 4,000 PSI AT 28 DAYS.
 3. ADMIXTURE = CONBLOCK CDA RED.
 4. CASTING SUPPLIED BY OTHERS.

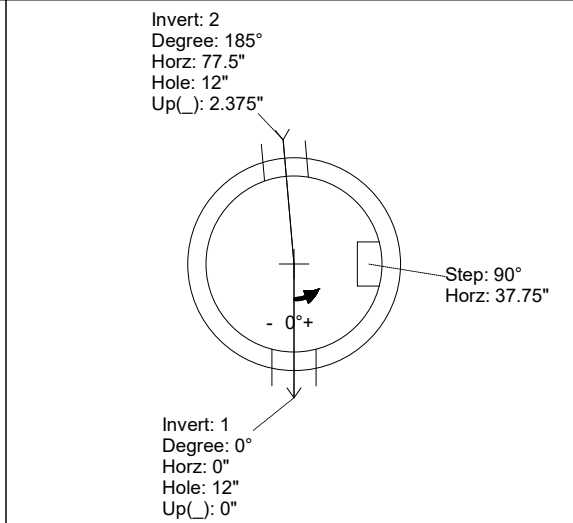
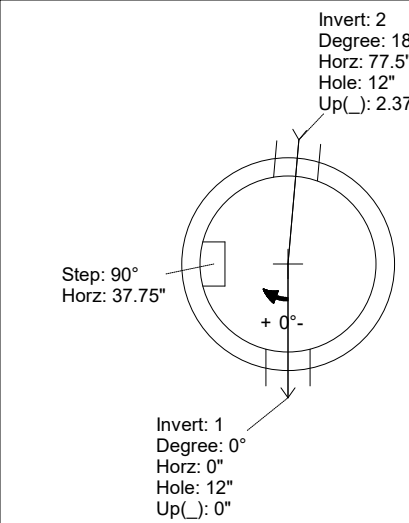
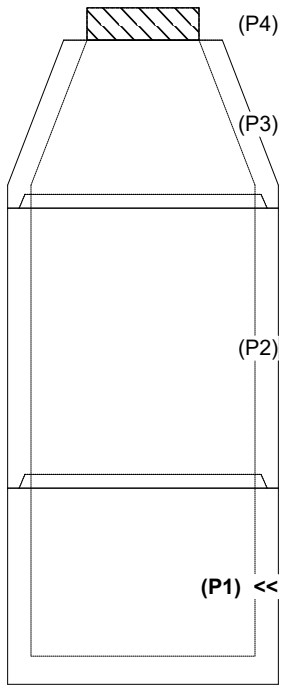
REINFORCING PER ASTM A615 (GRADE 60).
 - CONE (As .12)
 - RISER/WALLS (As .12)
 - FLOOR (As .31) #5 BARS AT 12" C.C.E.W.

Rim: 578.04' Rim to Invert: 11.55' Slack: 1.6" Sump: 2" Step Position: 90

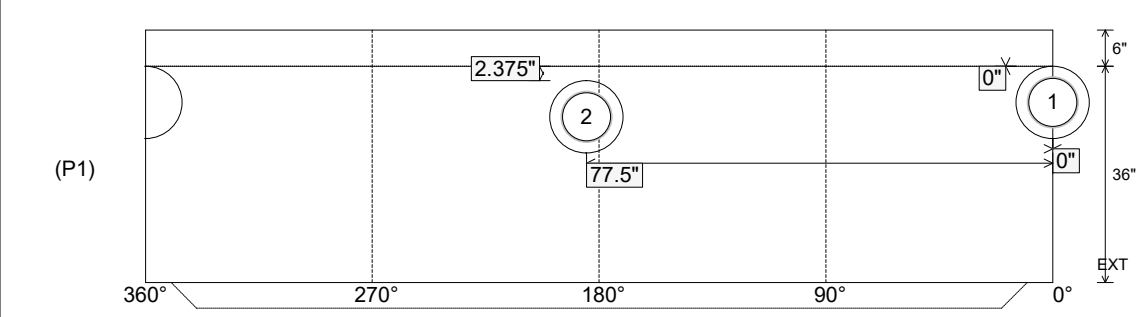
Position	Elev	Angle	Ext. (cw)	Pipe	Pipe OD	Connector	Hole	Horz Size	Up ()	Offset
Invert 1	566.49'	0°	0"	8" PVC SDR35	8.5"	PSX 12-08 NYLO	12"	12.129"	0"	0"
Invert 2	566.69'	185°	93.625"	8" PVC SDR35	8.5"	PSX 12-08 NYLO	12"	12.129"	2.375"	0"
Invert 3										
Invert 4										
Invert 5										
Invert 6										
Invert 7										
Invert 8										

RIGHT-SIDE UP VIEW (int. dimensions)

UPSIDE-DOWN VIEW (int. dimensions)



INSIDE WALL DIMENSIONS



Coating (Int): Coating (Ext):	Seam Up: Tongue Seam Dn: n/a	Wall Thickness: 5" Floor Height: 6"	Height (Int): 36" Height (Ext): 42"	Weight (Net): 3749 lb Volume (Net): 0.96cu.yd
----------------------------------	---------------------------------	--	--	--

Job Name: 26-1219 - 1662 Pinkerton Road
 Job Location: Brentwood, TN
 Contractor: Hayes Pipe Supply

Plant: 100
 5/11/2026 5:31:56 PM

Tech: Jared - F
 PC: T. Ryan



Structure ID: 3-7 SS-MH

P1 MH048BA36CDARED

MH BASE w/ConBlock-CDA Red T/n

- P4) 24" - CASTING HEIGHT - 7" 0 lb
- P3) 48" - CON CONE w/24" HOLE, w/ConBlock-CDA Red F/G - 36" 2251 lb
- P2) 48" - MH RISER w/ConBlock-CDA Red T/G - 60" 4192 lb
- P1) 48" - MH BASE w/ConBlock-CDA Red T/n - 36" 3749 lb
- 1) JOINT WRAP - 0.065"x6"x50' CONSEAL CS212 0 lb
- 1) JOINT WRAP PRIMER - CONSEAL CS-75 (1 gal.) 0 lb
- 1) 48" - MH INVERT CHANNEL w/ConBlock-CDA Red - FULL HEIGHT 1440 lb
- 2) 48" - Conseal CS-102 1.00" (Double) 0 lb
- 2) PSX - 12-08 NYLO 16 lb
- 11) MH Step ML-10-TDS-NCR - 10" 0 lb

Structure Total: 11648 lb

Structure Notes:

1. PER ASTM C478 SPECIFICATIONS.
2. CONCRETE = 4,000 PSI AT 28 DAYS.
3. ADMIXTURE = CONBLOCK CDA RED.
4. CASTING SUPPLIED BY OTHERS.

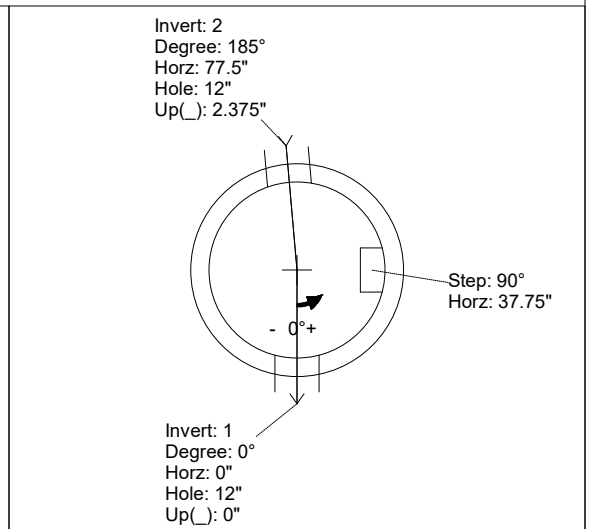
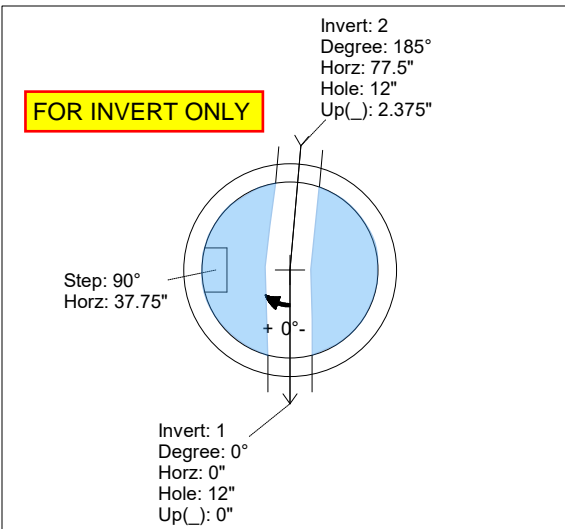
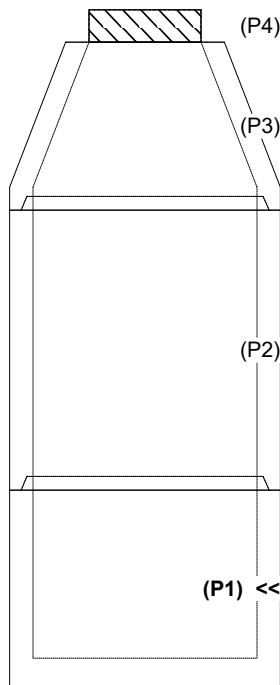
REINFORCING PER ASTM A615 (GRADE 60).
 - CONE (As .12)
 - RISER/WALLS (As .12)
 - FLOOR (As .31) #5 BARS AT 12" C.C.E.W.

Rim: 578.04' Rim to Invert: 11.55' Slack: 1.6" Sump: 2" Step Position: 90

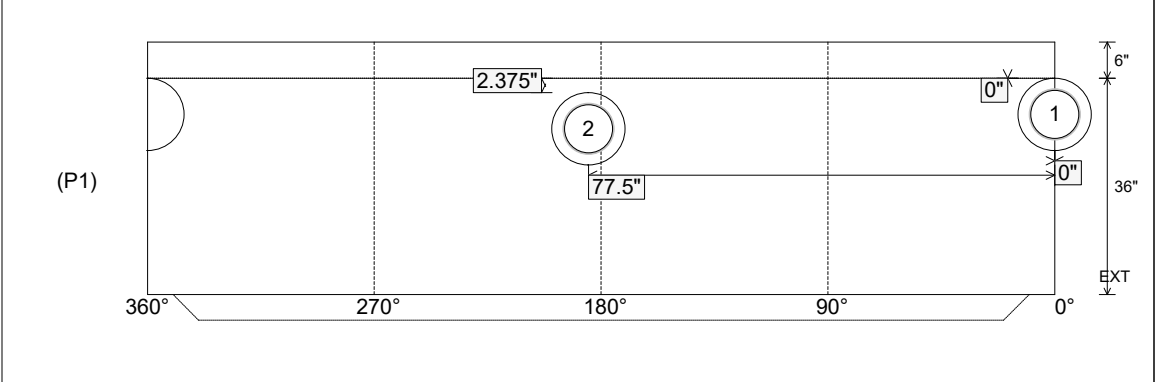
Position	Elev	Angle	Ext. (cw)	Pipe	Pipe OD	Connector	Hole	Horz Size	Up ()	Offset
Invert 1	566.49'	0°	0"	8" PVC SDR35	8.5"	PSX 12-08 NYLO	12"	12.129"	0"	0"
Invert 2	566.69'	185°	93.625"	8" PVC SDR35	8.5"	PSX 12-08 NYLO	12"	12.129"	2.375"	0"
Invert 3										
Invert 4										
Invert 5										
Invert 6										
Invert 7										
Invert 8										

RIGHT-SIDE UP VIEW (int. dimensions)

UPSIDE-DOWN VIEW (int. dimensions)



INSIDE WALL DIMENSIONS



Coating (Int): Coating (Ext):	Seam Up: Tongue Seam Dn: n/a	Wall Thickness: 5" Floor Height: 6"	Height (Int): 36" Height (Ext): 42"	Weight (Net): 3749 lb Volume (Net): 0.96cu.yd
----------------------------------	---------------------------------	--	--	--

Job Name: 26-1219 - 1662 Pinkerton Road
 Job Location: Brentwood, TN
 Contractor: Hayes Pipe Supply

Plant: 100
 5/11/2026 5:31:55 PM

Tech: Jared - F
 PC: T. Ryan



Structure ID: 2-6 SS-MH

P1 MH048BA30CDARED

MH BASE w/ConBlock-CDA Red T/n

- P5) 24" - CASTING HEIGHT - 7"
- P4) 24" - GRADE RING w/ConBlock-CDA Red F/F - 4"
- P3) 48" - CON CONE w/24" HOLE, w/ConBlock-CDA Red F/G - 36"
- P2) 48" - MH RISER w/ConBlock-CDA Red T/G - 60"
- P1) 48" - MH BASE w/ConBlock-CDA Red T/n - 30"
- 1) JOINT WRAP - 0.065"x6"x50' CONSEAL CS212
- 1) JOINT WRAP PRIMER - CONSEAL CS-75 (1 gal.)
- 1) 48" - MH INVERT CHANNEL w/ConBlock-CDA Red - FULL HEIGHT
- 2) 48" - Conseal CS-102 1.00" (Double)
- 2) PSX - 12-08 NYLO
- 10) MH Step ML-10-TDS-NCR - 10"

0 lb
 270 lb
 2251 lb
 4192 lb
 3330 lb
 0 lb
 0 lb
 1440 lb
 0 lb
 16 lb
 0 lb

 Structure Total: 11499 lb

Structure Notes:
 1. PER ASTM C478 SPECIFICATIONS.
 2. CONCRETE = 4,000 PSI AT 28 DAYS.
 3. ADMIXTURE = CONBLOCK CDA RED.
 4. CASTING SUPPLIED BY OTHERS.

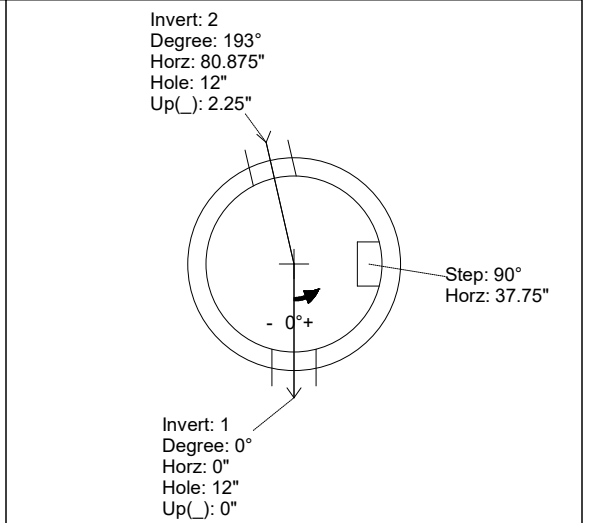
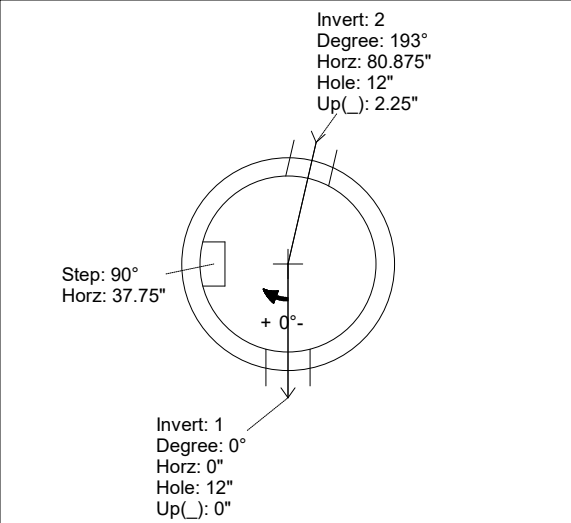
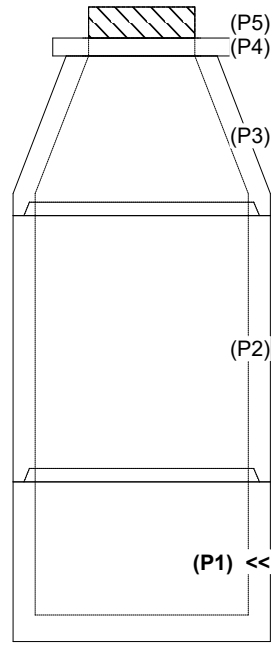
 REINFORCING PER ASTM A615 (GRADE 60).
 - CONE (As .12)
 - RISER/WALLS (As .12)
 - FLOOR (As .31) #5 BARS AT 12" C.C.E.W.

Rim: 574.92' Rim to Invert: 11.28' Slack: 0.36" Sump: 2" Step Position: 90°

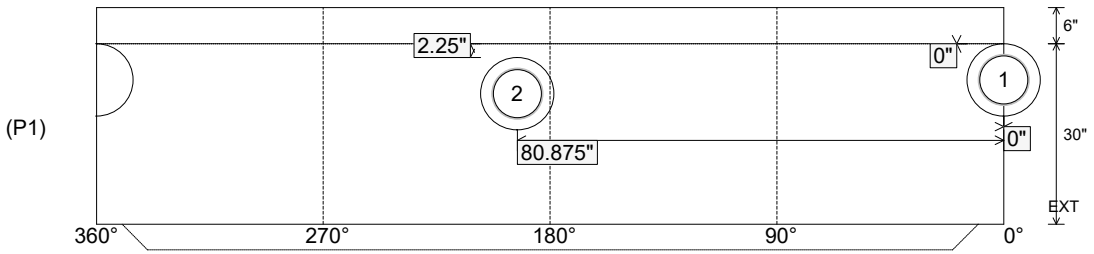
Position	Elev	Angle	Ext. (cw)	Pipe	Pipe OD	Connector	Hole	Horz Size	Up ()	Offset
Invert 1	563.64'	0°	0"	8" PVC SDR35	8.5"	PSX 12-08 NYLO	12"	12.129"	0"	0"
Invert 2	563.83'	193°	97.625"	8" PVC SDR35	8.5"	PSX 12-08 NYLO	12"	12.129"	2.25"	0"
Invert 3										
Invert 4										
Invert 5										
Invert 6										
Invert 7										
Invert 8										

RIGHT-SIDE UP VIEW (int. dimensions)

UPSIDE-DOWN VIEW (int. dimensions)



INSIDE WALL DIMENSIONS



Coating (Int): Coating (Ext):	Seam Up: Tongue Seam Dn: n/a	Wall Thickness: 5" Floor Height: 6"	Height (Int): 30" Height (Ext): 36"	Weight (Net): 3330 lb Volume (Net): 0.85cu.yd
----------------------------------	---------------------------------	--	--	--

Job Name: 26-1219 - 1662 Pinkerton Road
 Job Location: Brentwood, TN
 Contractor: Hayes Pipe Supply

Plant: 100
 5/11/2026 5:31:55 PM

Tech: Jared - F
 PC: T. Ryan



Structure ID: 2-6 SS-MH

P1 MH048BA30CDARED

MH BASE w/ConBlock-CDA Red T/n

- P5) 24" - CASTING HEIGHT - 7"
- P4) 24" - GRADE RING w/ConBlock-CDA Red F/F - 4"
- P3) 48" - CON CONE w/24" HOLE, w/ConBlock-CDA Red F/G - 36"
- P2) 48" - MH RISER w/ConBlock-CDA Red T/G - 60"
- P1) 48" - MH BASE w/ConBlock-CDA Red T/n - 30"
- 1) JOINT WRAP - 0.065"x6"x50' CONSEAL CS212
- 1) JOINT WRAP PRIMER - CONSEAL CS-75 (1 gal.)
- 1) 48" - MH INVERT CHANNEL w/ConBlock-CDA Red - FULL HEIGHT
- 2) 48" - Conseal CS-102 1.00" (Double)
- 2) PSX - 12-08 NYLO
- 10) MH Step ML-10-TDS-NCR - 10"

0 lb
 270 lb
 2251 lb
 4192 lb
 3330 lb
 0 lb
 0 lb
 1440 lb
 0 lb
 16 lb
 0 lb

 Structure Total: 11499 lb

Structure Notes:
 1. PER ASTM C478 SPECIFICATIONS.
 2. CONCRETE = 4,000 PSI AT 28 DAYS.
 3. ADMIXTURE = CONBLOCK CDA RED.
 4. CASTING SUPPLIED BY OTHERS.

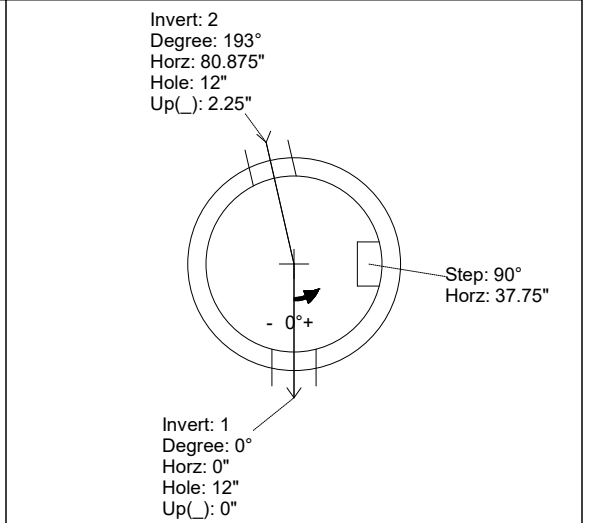
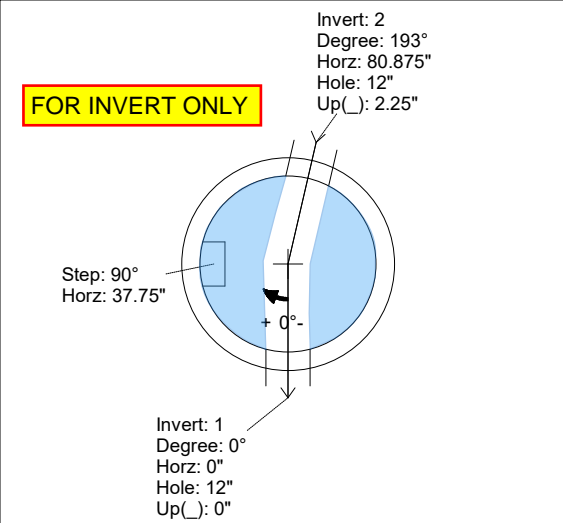
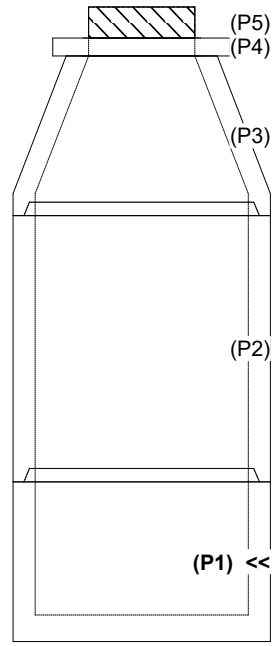
 REINFORCING PER ASTM A615 (GRADE 60).
 - CONE (As .12)
 - RISER/WALLS (As .12)
 - FLOOR (As .31) #5 BARS AT 12" C.C.E.W.

Rim: 574.92' Rim to Invert: 11.28' Slack: 0.36" Sump: 2" Step Position: 90°

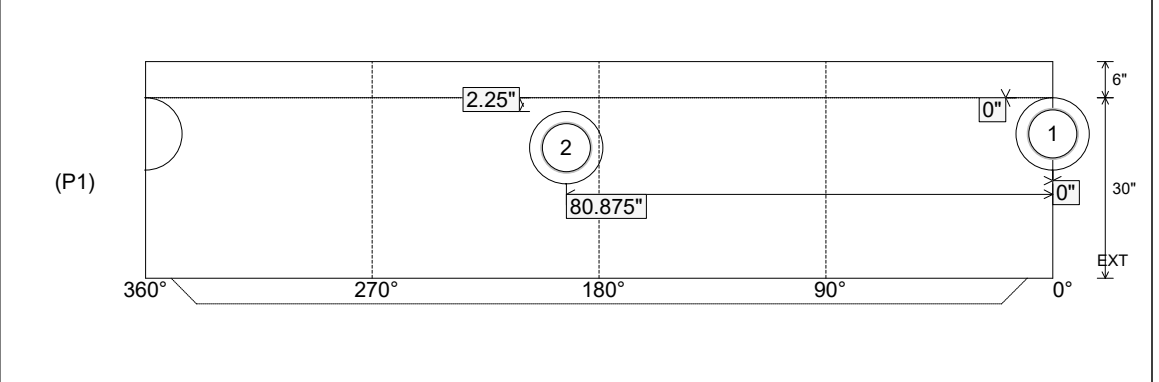
Position	Elev	Angle	Ext. (cw)	Pipe	Pipe OD	Connector	Hole	Horz Size	Up ()	Offset
Invert 1	563.64'	0°	0"	8" PVC SDR35	8.5"	PSX 12-08 NYLO	12"	12.129"	0"	0"
Invert 2	563.83'	193°	97.625"	8" PVC SDR35	8.5"	PSX 12-08 NYLO	12"	12.129"	2.25"	0"
Invert 3										
Invert 4										
Invert 5										
Invert 6										
Invert 7										
Invert 8										

RIGHT-SIDE UP VIEW (int. dimensions)

UPSIDE-DOWN VIEW (int. dimensions)



INSIDE WALL DIMENSIONS



Coating (Int): Coating (Ext):	Seam Up: Tongue Seam Dn: n/a	Wall Thickness: 5" Floor Height: 6"	Height (Int): 30" Height (Ext): 36"	Weight (Net): 3330 lb Volume (Net): 0.85cu.yd
----------------------------------	---------------------------------	--	--	--

Job Name: 26-1219 - 1662 Pinkerton Road
 Job Location: Brentwood, TN
 Contractor: Hayes Pipe Supply

Plant: 100
 5/11/2026 5:31:54 PM

Tech: Jared - F
 PC: T. Ryan



Structure ID: 1-5 SS-MH

P1 MH048BA24CDARED

MH BASE w/ConBlock-CDA Red T/n

- P4) 24" - CASTING HEIGHT - 7" 0 lb
- P3) 48" - CON CONE w/24" HOLE, w/ConBlock-CDA Red F/G - 36" 2251 lb
- P2) 48" - MH RISER w/ConBlock-CDA Red T/G - 24" 1677 lb
- P1) 48" - MH BASE w/ConBlock-CDA Red T/n - 24" 2911 lb
- 1) JOINT WRAP - 0.065"x6"x50' CONSEAL CS212 0 lb
- 1) JOINT WRAP PRIMER - CONSEAL CS-75 (1 gal.) 0 lb
- 1) 48" - MH INVERT CHANNEL w/ConBlock-CDA Red - FULL HEIGHT 1440 lb
- 2) 48" - Conseal CS-102 1.00" (Double) 0 lb
- 2) PSX - 12-08 NYLO 16 lb
- 7) MH Step ML-10-TDS-NCR - 10" 0 lb

Structure Total: 8295 lb

Structure Notes:

1. PER ASTM C478 SPECIFICATIONS.
2. CONCRETE = 4,000 PSI AT 28 DAYS.
3. ADMIXTURE = CONBLOCK CDA RED.
4. CASTING SUPPLIED BY OTHERS.

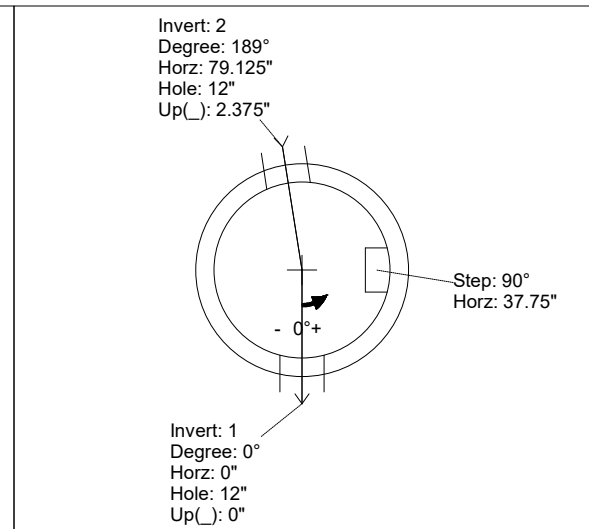
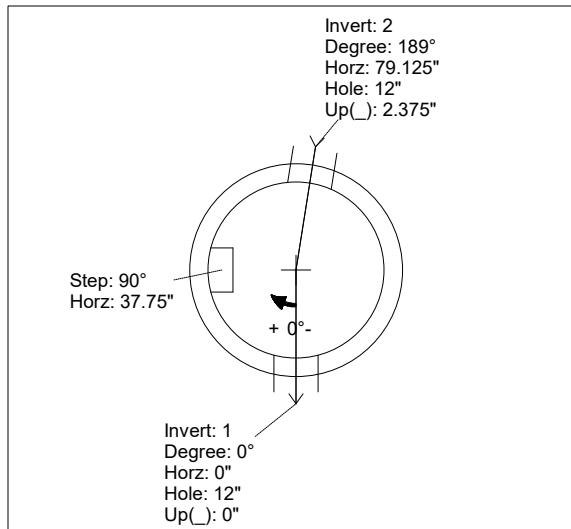
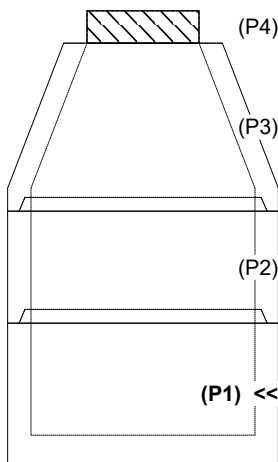
REINFORCING PER ASTM A615 (GRADE 60).
 - CONE (As .12)
 - RISER/WALLS (As .12)
 - FLOOR (As .31) #5 BARS AT 12" C.C.E.W.

Rim: 566.13' Rim to Invert: 7.45' Slack: 0.4" Sump: 2" Step Position: 90

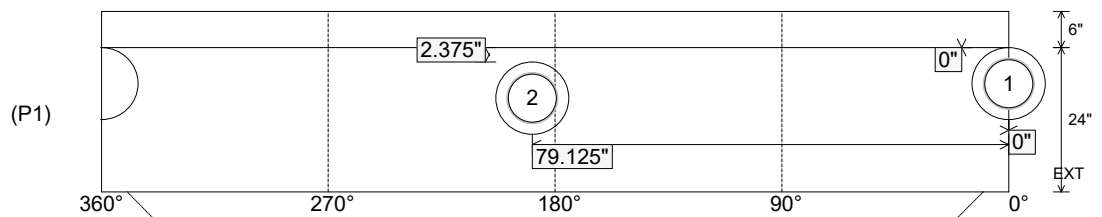
Position	Elev	Angle	Ext. (cw)	Pipe	Pipe OD	Connector	Hole	Horz Size	Up ()	Offset
Invert 1	558.68'	0°	0"	8" PVC SDR35	8.5"	PSX 12-08 NYLO	12"	12.129"	0"	0"
Invert 2	558.88'	189°	95.625"	8" PVC SDR35	8.5"	PSX 12-08 NYLO	12"	12.129"	2.375"	0"
Invert 3										
Invert 4										
Invert 5										
Invert 6										
Invert 7										
Invert 8										

RIGHT-SIDE UP VIEW (int. dimensions)

UPSIDE-DOWN VIEW (int. dimensions)



INSIDE WALL DIMENSIONS



Coating (Int):
 Coating (Ext):

Seam Up: Tongue
 Seam Dn: n/a

Wall Thickness: 5"
 Floor Height: 6"

Height (Int): 24"
 Height (Ext): 30"

Weight (Net): 2911 lb
 Volume (Net): 0.74cu.yd

Job Name: 26-1219 - 1662 Pinkerton Road
 Job Location: Brentwood, TN
 Contractor: Hayes Pipe Supply

Plant: 100
 5/11/2026 5:31:54 PM

Tech: Jared - F
 PC: T. Ryan



Structure ID: 1-5 SS-MH

P1 MH048BA24CDARED

MH BASE w/ConBlock-CDA Red T/n

- P4) 24" - CASTING HEIGHT - 7"
- P3) 48" - CON CONE w/24" HOLE, w/ConBlock-CDA Red F/G - 36"
- P2) 48" - MH RISER w/ConBlock-CDA Red T/G - 24"
- P1) 48" - MH BASE w/ConBlock-CDA Red T/n - 24"
- 1) JOINT WRAP - 0.065"x6"x50' CONSEAL CS212
- 1) JOINT WRAP PRIMER - CONSEAL CS-75 (1 gal.)
- 1) 48" - MH INVERT CHANNEL w/ConBlock-CDA Red - FULL HEIGHT
- 2) 48" - Conseal CS-102 1.00" (Double)
- 2) PSX - 12-08 NYLO
- 7) MH Step ML-10-TDS-NCR - 10"

0 lb
 2251 lb
 1677 lb
 2911 lb
 0 lb
 0 lb
 1440 lb
 0 lb
 16 lb
 0 lb

 Structure Total: 8295 lb

Structure Notes:
 1. PER ASTM C478 SPECIFICATIONS.
 2. CONCRETE = 4,000 PSI AT 28 DAYS.
 3. ADMIXTURE = CONBLOCK CDA RED.
 4. CASTING SUPPLIED BY OTHERS.

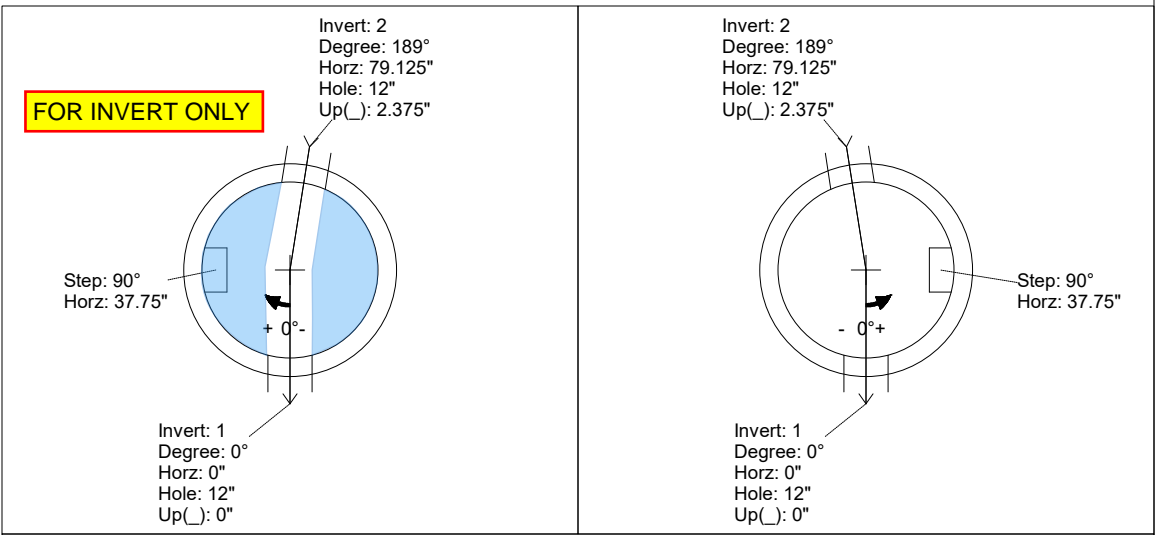
REINFORCING PER ASTM A615 (GRADE 60).
 - CONE (As .12)
 - RISER/WALLS (As .12)
 - FLOOR (As .31) #5 BARS AT 12" C.C.E.W.

Rim: 566.13' Rim to Invert: 7.45' Slack: 0.4" Sump: 2" Step Position: 90

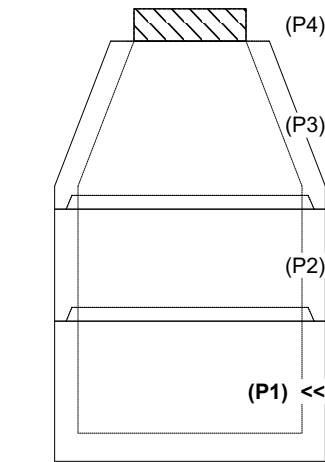
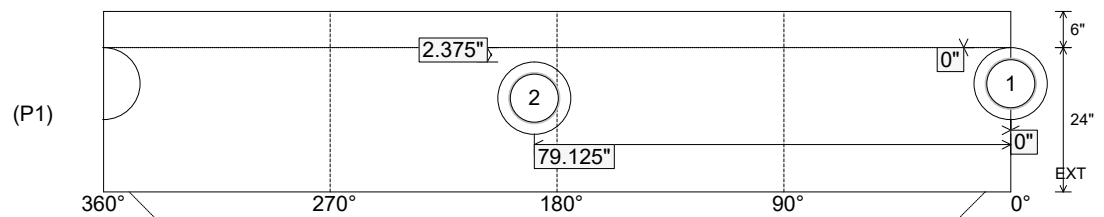
Position	Elev	Angle	Ext. (cw)	Pipe	Pipe OD	Connector	Hole	Horz Size	Up ()	Offset
Invert 1	558.68'	0°	0"	8" PVC SDR35	8.5"	PSX 12-08 NYLO	12"	12.129"	0"	0"
Invert 2	558.88'	189°	95.625"	8" PVC SDR35	8.5"	PSX 12-08 NYLO	12"	12.129"	2.375"	0"
Invert 3										
Invert 4										
Invert 5										
Invert 6										
Invert 7										
Invert 8										

RIGHT-SIDE UP VIEW (int. dimensions)

UPSIDE-DOWN VIEW (int. dimensions)



INSIDE WALL DIMENSIONS



Coating (Int): Coating (Ext):	Seam Up: Tongue Seam Dn: n/a	Wall Thickness: 5" Floor Height: 6"	Height (Int): 24" Height (Ext): 30"	Weight (Net): 2911 lb Volume (Net): 0.74cu.yd
----------------------------------	---------------------------------	--	--	--

Job Name: 26-1219 - 1662 Pinkerton Road
 Job Location: Brentwood, TN
 Contractor: Hayes Pipe Supply

Plant: 100
 5/11/2026 5:32:35 PM

Tech: Jared - F
 PC: T. Ryan



Structure ID: 1-5 SS-MH

P3 MH048CCN36CDARED

CON CONE w/24" HOLE, w/ConBlock-CDA Red F/G

- P4) 24" - CASTING HEIGHT - 7" 0 lb
- P3) 48" - CON CONE w/24" HOLE, w/ConBlock-CDA Red F/G - 36" 2251 lb
- P2) 48" - MH RISER w/ConBlock-CDA Red T/G - 24" 1677 lb
- P1) 48" - MH BASE w/ConBlock-CDA Red T/n - 24" 2911 lb
- 1) JOINT WRAP - 0.065"x6"x50' CONSEAL CS212 0 lb
- 1) JOINT WRAP PRIMER - CONSEAL CS-75 (1 gal.) 0 lb
- 1) 48" - MH INVERT CHANNEL w/ConBlock-CDA Red - FULL HEIGHT 1440 lb
- 2) 48" - Conseal CS-102 1.00" (Double) 0 lb
- 2) PSX - 12-08 NYLO 16 lb
- 7) MH Step ML-10-TDS-NCR - 10" 0 lb

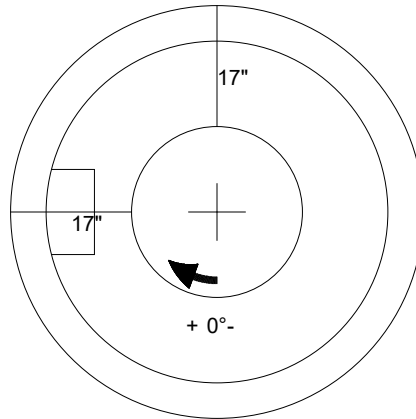
Structure Total: 8295 lb

Structure Notes:

1. PER ASTM C478 SPECIFICATIONS.
2. CONCRETE = 4,000 PSI AT 28 DAYS.
3. ADMIXTURE = CONBLOCK CDA RED.
4. CASTING SUPPLIED BY OTHERS.

REINFORCING PER ASTM A615 (GRADE 60).

- CONE (As .12)
- RISER/WALLS (As .12)
- FLOOR (As .31) #5 BARS AT 12" C.C.E.W.



48" - CON CONE w/24" HOLE, w/ConBlock-CDA Red F/G - 36" - (P3)



Coating (Int):
 Coating (Ext):

Seam Up: Flat
 Seam Dn: Groove

Wall Thickness: 5"

Height (Ext): 36"

Weight (Net): 2251 lb
 Volume (Net): 0.57cu.yd

Job Name: 25-3452 - Churchill Downs Skye Terrace Improvements
 Job Location: Louisville, KY 40208
 Contractor: Louisville Paving and Construction

Plant: 100
 4/30/2026 1:21:46 PM

Tech: Jared - F
 PC: J. Jarvis



Structure ID: S203

P1 MH048BAVF

MH BASE Custom Ht T/n

- P3) 32" x 32" - CASTING HEIGHT - 3"
- P2) 48" - MH FLAT TOP w/32"x32" Hole F/G - 12"
- P1) 48" - MH BASE Custom Ht T/n - 31"
- 1) CASTING - HOE 595 F/G
- 1) 48" - Conseal CS-102 1.00"
- 1) 32" x 32" - Conseal CS-102 1.00"
- 2) Hole - 16

0 lb
 1629 lb
 3324 lb
 376 lb
 0 lb
 0 lb
 0 lb

 Structure Total: 5330 lb

Structure Notes:
 1. PER ASTM C478 SPECIFICATIONS.
 2. CONCRETE = 4,000 PSI AT 28 DAYS.
 3. NO STEPS AND NO INVERT CHANNEL.
 4. CASTING BY ICAST (HOE 595 F/G)

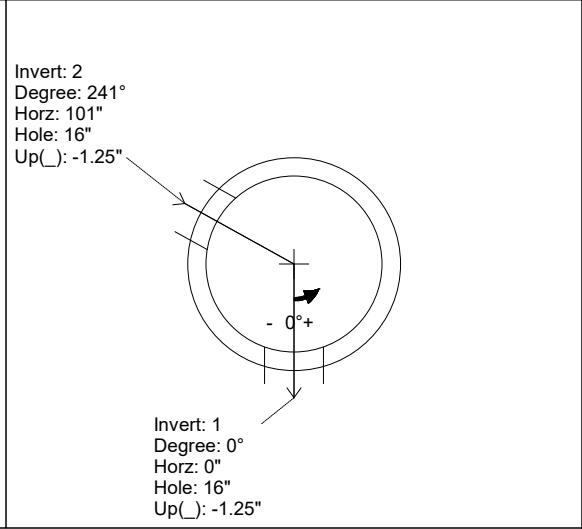
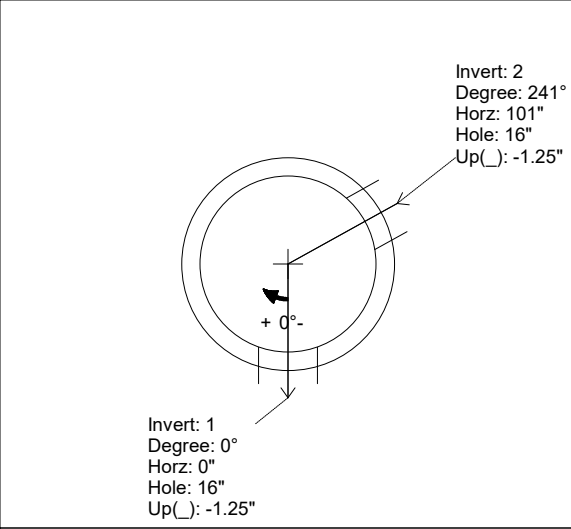
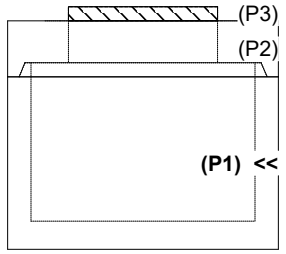
REINFORCING PER ASTM A615 (GRADE 60).
 - TOP SLAB (As .62) #5 BARS AT 6" C.C.E.W..
 - RISER/WALLS (As .12)
 - FLOOR (As .31) #5 BARS AT 12" C.C.E.W.

Rim: 454.37' Rim to Invert: 3.9' Slack: 0.8" Sump: 0" Step Position:

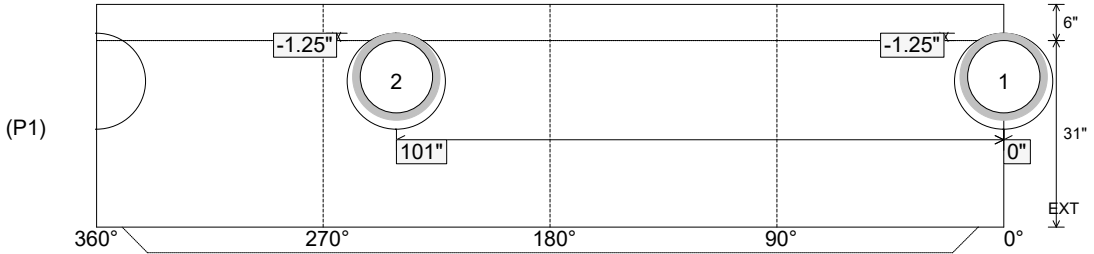
Position	Elev	Angle	Ext. (cw)	Pipe	Pipe OD	Connector	Hole	Horz Size	Up ()	Offset
Invert 1	450.47'	0°	0"	12" HDPE	14.5"	Hole 16	16"	16.312"	-1.25"	0"
Invert 2	450.47'	241°	122"	12" HDPE	14.5"	Hole 16	16"	16.312"	-1.25"	0"
Invert 3										
Invert 4										
Invert 5										
Invert 6										
Invert 7										
Invert 8										

RIGHT-SIDE UP VIEW (int. dimensions)

UPSIDE-DOWN VIEW (int. dimenions)



INSIDE WALL DIMENSIONS



Coating (Int): Coating (Ext):	Seam Up: Tongue Seam Dn: n/a	Wall Thickness: 5" Floor Height: 6"	Height (Int): 31" Height (Ext): 37"	Weight (Net): 3324 lb Volume (Net): 0.85cu.yd
----------------------------------	---------------------------------	--	--	--

Job Name: 25-3452 - Churchill Downs Skye Terrace Improvements
 Job Location: Louisville, KY 40208
 Contractor: Louisville Paving and Construction

Plant: 100
 4/30/2026 1:23:00 PM

Tech: Jared - F
 PC: J. Jarvis



Structure ID: S203

P2 MH048LD12S

MH FLAT TOP w/32"x32" Hole F/G

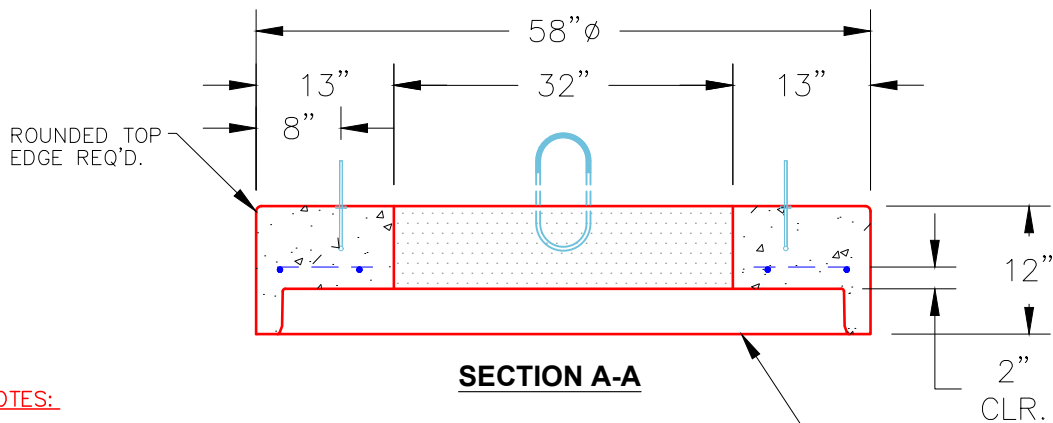
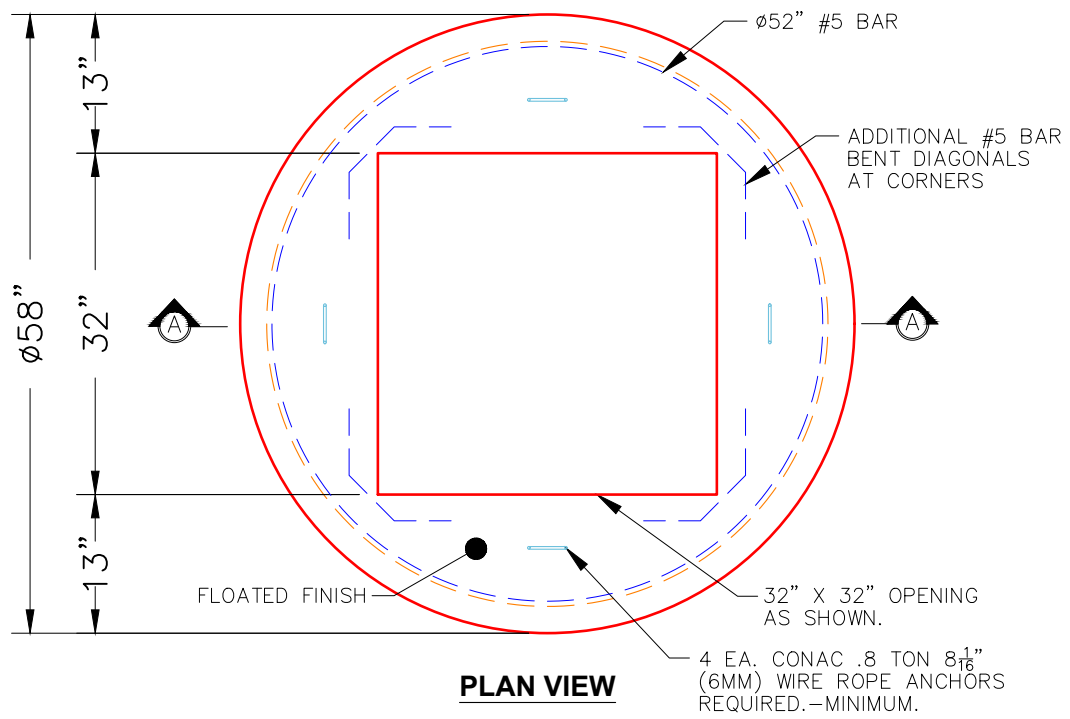
- P3) 32" x 32" - CASTING HEIGHT - 3"
- P2) 48" - MH FLAT TOP w/32"x32" Hole F/G - 12"
- P1) 48" - MH BASE Custom Ht T/n - 31"
- 1) CASTING - HOE 595 F/G
- 1) 48" - Conseal CS-102 1.00"
- 1) 32" x 32" - Conseal CS-102 1.00"
- 2) Hole - 16

0 lb
 1629 lb
 3324 lb
 376 lb
 0 lb
 0 lb
 0 lb

 Structure Total: 5330 lb

Structure Notes:
 1. PER ASTM C478 SPECIFICATIONS.
 2. CONCRETE = 4,000 PSI AT 28 DAYS.
 3. NO STEPS AND NO INVERT CHANNEL.
 4. CASTING BY ICAST (HOE 595 F/G)

REINFORCING PER ASTM A615 (GRADE 60).
 - TOP SLAB (As .62) #5 BARS AT 6" C.C.E.W..
 - RISER/WALLS (As .12)
 - FLOOR (As .31) #5 BARS AT 12" C.C.E.W.



- NOTES:**
1. MANUFACTURED TO ASTM C-478 (LATEST REVISION).
 2. CONCRETE: 4,000 PSI AT 28 DAYS.
 3. REINFORCING: #5 BAR @ 6" O.C. E.W. (GRADE 60).

Coating (Int): Coating (Ext):	Seam Up: Flat Seam Dn: Groove	Wall Thickness: 5"	Height (Ext): 12"	Weight (Net): 1629 lb Volume (Net): 0.42cu.yd
----------------------------------	----------------------------------	--------------------	-------------------	--

Job Name: 25-1431 - Georgetown Commons
 Job Location: Georgetown, KY
 Contractor: Winwater Hartford KY Co.

Plant: Beaver Dam

4/28/2026 8:57:08 AM

Tech: J. Coppage

PC: A. Chambers



Structure ID: SSMH-269

P2 MH048RS36S

MH RISER NO STEPS

- P5) 24" - CASTING HEIGHT - 7"
- P4) 24" - GRADE RING - 4"
- P3) 48" - ECC CONE w/ 24" HOLE NO STEP - 30"
- P2) 48" - MH RISER NO STEPS - 36"
- P1) 48" - MH BASE - 18"
- 1) JOINT WRAP - 0.065"x6"x50' CONSEAL CS212
- 1) JOINT WRAP PRIMER - CONSEAL CS-75 (1 gal.)
- 1) 48" - MH INVERT CHANNEL - FULL HEIGHT
- 2) 48" - Conseal CS-102 1.00" (Double)
- 1) A-Lok - 0285

- Structure Notes:**
1. JR HOE MC-375 SELF SEALING SAN BY ICAST
 2. PER ASTM C478 SPECIFICATIONS.
 3. CONCRETE = 4,000 PSI AT 28 DAYS.
 4. REINFORCING PER ASTM A615 (GRADE 60).
 - CONE (As .12)
 - RISER/WALLS (As .12)
 - FLOOR (As .31) #5 BARS AT 12" C.C.E.W.
 5. **NO STEPS**

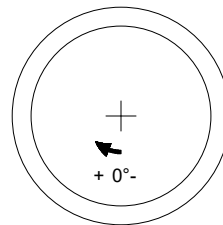
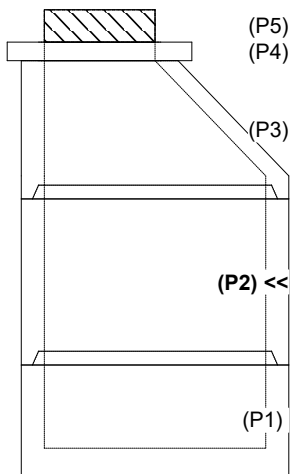
0 lb
 270 lb
 2050 lb
 2515 lb
 2556 lb
 0 lb
 0 lb
 1440 lb
 0 lb
 1 lb

Structure Total: 8832 lb

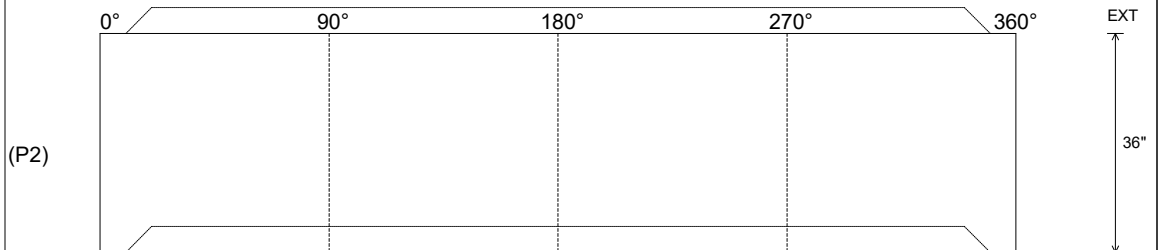
Rim: 877.44' Rim to Invert: 7.84' Slack: 1.08" Sump: 2" Step Position:

Position	Elev	Angle	Ext. (cw)	Pipe	Pipe OD	Connector	Hole	Horz Size	Up ()	Offset
Invert 1										
Invert 2										
Invert 3										
Invert 4										
Invert 5										
Invert 6										
Invert 7										
Invert 8										

RIGHT-SIDE UP VIEW (int. dimensions)



INSIDE WALL DIMENSIONS



Coating (Int):
 Coating (Ext):

Seam Up: Tongue
 Seam Dn: Groove

Wall Thickness: 5"
 Floor Height: 0"

Height (Int): 36"
 Height (Ext): 36"

Weight (Net): 2515 lb
 Volume (Net): 0.64cu.yd

Job Name: 25-1431 - Georgetown Commons
 Job Location: Georgetown, KY
 Contractor: Winwater Hartford KY Co.

Plant: Beaver Dam

4/28/2026 8:57:08 AM

Tech: J. Copping

PC: A. Chambers



Structure ID: SSMH-276

P2 MH048RS72S

MH RISER NO STEPS

- P5) 24" - CASTING HEIGHT - 7"
- P4) 24" - GRADE RING - 6"
- P3) 48" - ECC CONE w/ 24" HOLE NO STEP - 42"
- P2) 48" - MH RISER NO STEPS - 72"
- P1) 48" - MH BASE w/FLANGE (08F/08EF) - 36"
- 1) JOINT WRAP - 0.065"x6"x50' CONSEAL CS212
- 1) JOINT WRAP PRIMER - CONSEAL CS-75 (1 gal.)
- 1) 48" - MH INVERT CHANNEL - FULL HEIGHT
- 2) 48" - Conseal CS-102 1.00" (Double)
- 2) A-Lok - 0285

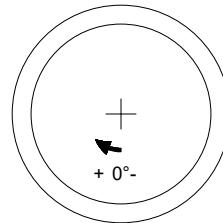
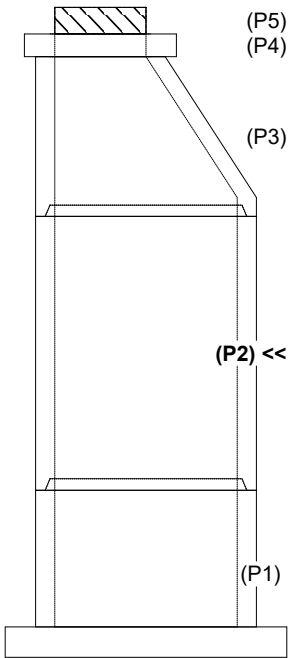
- Structure Notes:**
1. JR HOE MC-375 SELF SEALING SAN BY ICAST
 2. PER ASTM C478 SPECIFICATIONS.
 3. CONCRETE = 4,000 PSI AT 28 DAYS.
 4. REINFORCING PER ASTM A615 (GRADE 60).
 - CONE (As .12)
 - RISER/WALLS (As .12)
 - FLOOR (As .31) #5 BARS AT 12" C.C.E.W.
 5. **NO STEPS**

Structure Total: 15216 lb

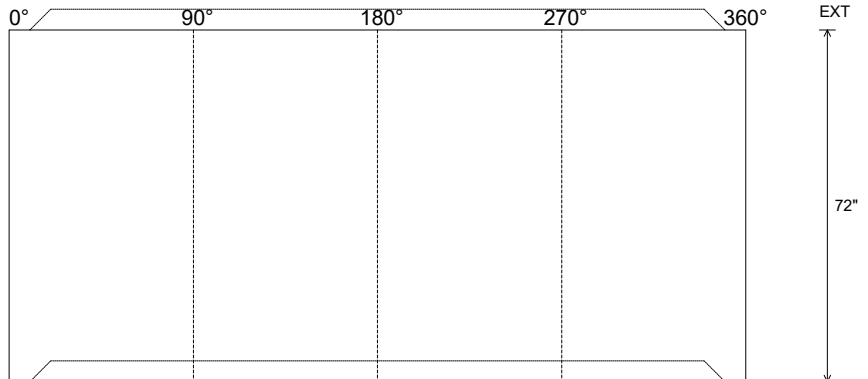
Rim: 890.52' Rim to Invert: 13.52' Slack: 1.24" Sump: 2" Step Position:

Position	Elev	Angle	Ext. (cw)	Pipe	Pipe OD	Connector	Hole	Horz Size	Up (L)	Offset
Invert 1										
Invert 2										
Invert 3										
Invert 4										
Invert 5										
Invert 6										
Invert 7										
Invert 8										

RIGHT-SIDE UP VIEW (int. dimensions)



INSIDE WALL DIMENSIONS



Coating (Int):
 Coating (Ext):

Seam Up: Tongue
 Seam Dn: Groove

Wall Thickness: 5"
 Floor Height: 0"

Height (Int): 72"
 Height (Ext): 72"

Weight (Net): 5030 lb
 Volume (Net): 1.28cu.yd

Job Name: 25-1431 - Georgetown Commons
 Job Location: Georgetown, KY
 Contractor: Winwater Hartford KY Co.

Plant: Beaver Dam

4/28/2026 8:56:34 AM

Tech: J. Coppage

PC: A. Chambers



Structure ID: SSMH-229

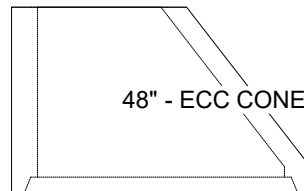
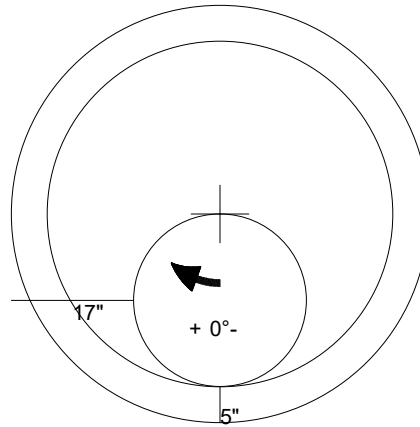
P2 MH048CN36-S

ECC CONE w/ 24" HOLE NO STEP

- P4) 24" - CASTING HEIGHT - 7"
- P3) 24" - GRADE RING - 3"
- P2) 48" - ECC CONE w/ 24" HOLE NO STEP - 36"
- P1) 48" - MH BASE - 30"
- 1) JOINT WRAP - 0.065"x6"x50' CONSEAL CS212
- 1) JOINT WRAP PRIMER - CONSEAL CS-75 (1 gal.)
- 1) 48" - MH INVERT CHANNEL - FULL HEIGHT
- 1) 48" - Conseal CS-102 1.00" (Double)
- 2) A-Lok - 0285

- Structure Notes:**
1. JR HOE MC-375 SELF SEALING SAN BY ICAST
 2. PER ASTM C478 SPECIFICATIONS.
 3. CONCRETE = 4,000 PSI AT 28 DAYS.
 4. REINFORCING PER ASTM A615 (GRADE 60).
 - CONE (As .12)
 - RISER/WALLS (As .12)
 - FLOOR (As .31) #5 BARS AT 12" C.C.E.W.
 5. ****NO STEPS****

Structure Total: 8007 lb



48" - ECC CONE w/ 24" HOLE NO STEP - 36" - (P2)

Coating (Int):
 Coating (Ext):

Seam Up: Flat
 Seam Dn: Groove

Wall Thickness: 5"

Height (Ext): 36"

Weight (Net): 3000 lb
 Volume (Net): 0.5cu.yd

Job Name: 25-1431 - Georgetown Commons
 Job Location: Georgetown, KY
 Contractor: Winwater Hartford KY Co.

Plant: Beaver Dam

4/28/2026 8:56:28 AM

Tech: J. Coppage

PC: A. Chambers



Structure ID: SSMH-199

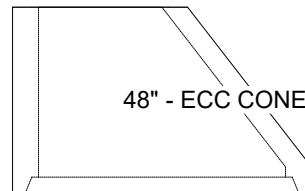
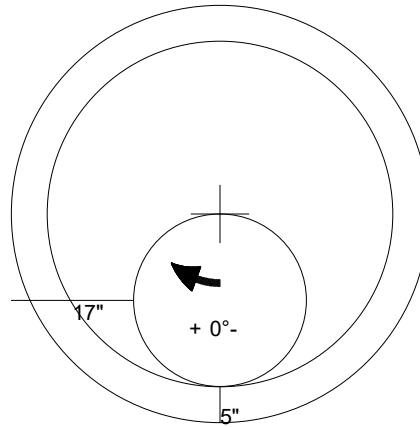
P2 MH048CN36-S

ECC CONE w/ 24" HOLE NO STEP

- P4) 24" - CASTING HEIGHT - 7"
- P3) 24" - GRADE RING - 4"
- P2) 48" - ECC CONE w/ 24" HOLE NO STEP - 36"
- P1) 48" - MH BASE - 24"
- 1) JOINT WRAP - 0.065"x6"x50' CONSEAL CS212
- 1) JOINT WRAP PRIMER - CONSEAL CS-75 (1 gal.)
- 1) 48" - MH INVERT CHANNEL - FULL HEIGHT
- 1) 48" - Conseal CS-102 1.00" (Double)
- 1) A-Lok - 0285
- 1) A-Lok - 0200

- Structure Notes:**
1. JR HOE MC-375 SELF SEALING SAN BY ICAST
 2. PER ASTM C478 SPECIFICATIONS.
 3. CONCRETE = 4,000 PSI AT 28 DAYS.
 4. REINFORCING PER ASTM A615 (GRADE 60).
 - CONE (As .12)
 - RISER/WALLS (As .12)
 - FLOOR (As .31) #5 BARS AT 12" C.C.E.W.
 5. ****NO STEPS****

Structure Total: 7671 lb



48" - ECC CONE w/ 24" HOLE NO STEP - 36" - (P2)

Coating (Int):
 Coating (Ext):

Seam Up: Flat
 Seam Dn: Groove

Wall Thickness: 5"

Height (Ext): 36"

Weight (Net): 3000 lb
 Volume (Net): 0.5cu.yd

Job Name: 25-1431 - Georgetown Commons
 Job Location: Georgetown, KY
 Contractor: Winwater Hartford KY Co.

Plant: Beaver Dam

4/28/2026 8:55:52 AM

Tech: J. Coppage

PC: A. Chambers



Structure ID: SSMH-285

P1 MH048BAEVF

MH BASE w/FLANGE (08F/08EF)

- P5) 24" - CASTING HEIGHT - 7"
- P4) 48" - ECC CONE w/ 24" HOLE NO STEP - 24"
- P3) 48" - MH RISER NO STEPS - 60"
- P2) 48" - MH RISER NO STEPS - 60"
- P1) 48" - MH BASE w/FLANGE (08F/08EF) - 28"
- 1) JOINT WRAP - 0.065"x6"x50' CONSEAL CS212
- 1) JOINT WRAP PRIMER - CONSEAL CS-75 (1 gal.)
- 1) 48" - MH INVERT CHANNEL - FULL HEIGHT
- 3) 48" - Conseal CS-102 1.00" (Double)
- 2) A-Lok - 0285

- Structure Notes:**
1. JR HOE MC-375 SELF SEALING SAN BY ICAST
 2. PER ASTM C478 SPECIFICATIONS.
 3. CONCRETE = 4,000 PSI AT 28 DAYS.
 4. REINFORCING PER ASTM A615 (GRADE 60).
 - CONE (As .12)
 - RISER/WALLS (As .12)
 - FLOOR (As .31) #5 BARS AT 12" C.C.E.W.
 5. **NO STEPS**

Structure Total: 16155 lb

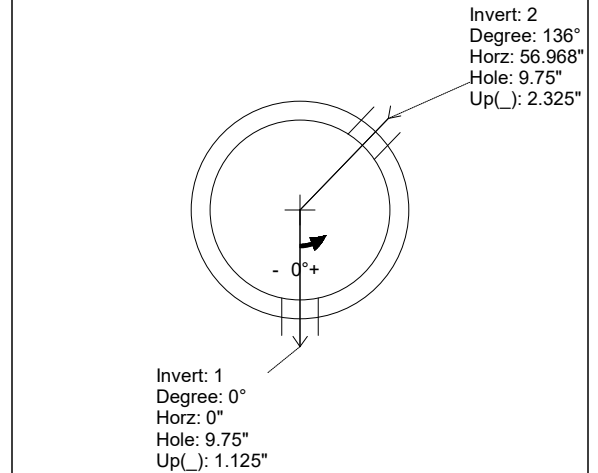
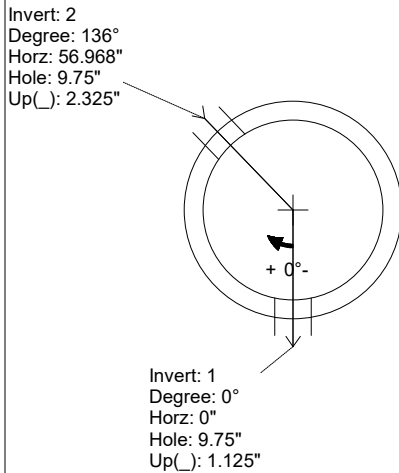
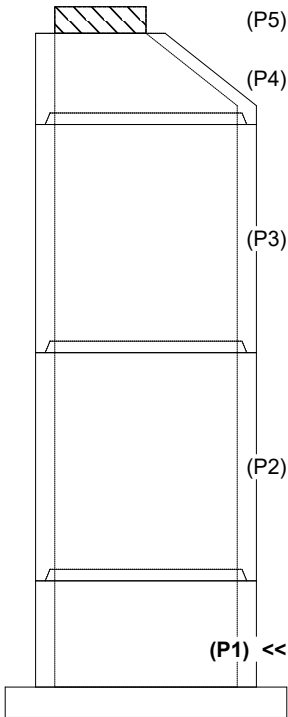
**INVERT CHANNEL DRAWING
 FULL HEIGHT INVERT**

Rim: 892.6' Rim to Invert: 14.9' Slack: 1.8" Sump: 2" Step Position:

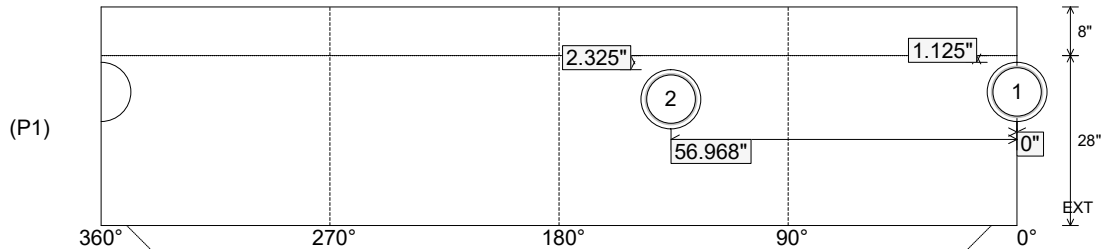
Position	Elev	Angle	Ext. (cw)	Pipe	Pipe OD	Connector	Hole	Horz Size	Up ()	Offset
Invert 1	877.7'	0°	0"	8" PVC SDR35	8.5"	A-Lok 0285	9.75"	9.818"	1.125"	0"
Invert 2	877.8'	136°	68.836"	8" PVC SDR35	8.5"	A-Lok 0285	9.75"	9.818"	2.325"	0"
Invert 3										
Invert 4										
Invert 5										
Invert 6										
Invert 7										
Invert 8										

RIGHT-SIDE UP VIEW (int. dimensions)

UPSIDE-DOWN VIEW (int. dimensions)



INSIDE WALL DIMENSIONS



Coating (Int):
 Coating (Ext):

Seam Up: Tongue
 Seam Dn: n/a

Wall Thickness: 5"
 Floor Height: 8"

Height (Int): 28"
 Height (Ext): 36"

Weight (Net): 4780 lb
 Volume (Net): 1.22cu.yd

Structure ID: 230-72 SS-MH

P1 MH048BAVF

MH BASE (08"F) T/n

P4) 24" - CASTING HEIGHT - 7" P3) 48" - ECC CONE w/ 24" HOLE F/G - 36" P2) 48" - MH RISER T/G - 24" P1) 48" - MH BASE (08"F) T/n - 28" 1) 48" - MH INVERT CHANNEL - FULL HEIGHT 1) JOINT WRAP - 0.065"x6"x50' CONSEAL CS212 1) JOINT WRAP PRIMER - CONSEAL CS-75 (1 gal.) 1) CASTING - HOE MC-375 F/C BGMU Sanitary 2) 48" - Conseal CS-102 1.00" (Double) 2) Kor-N-Seal1 - S106-20BW 6) MH Step ML-10-TDS-NCR - 10"	0 lb 3000 lb 1677 lb 3459 lb 1440 lb 0 lb 0 lb 271 lb 0 lb 13 lb 0 lb ----- Structure Total: 9860 lb
--	--

Structure Notes:

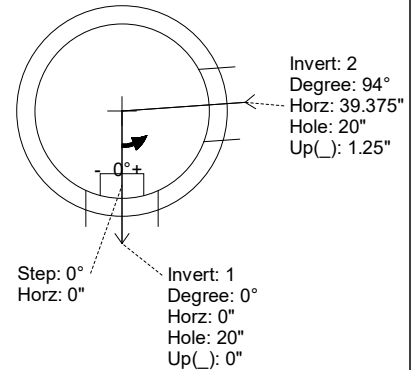
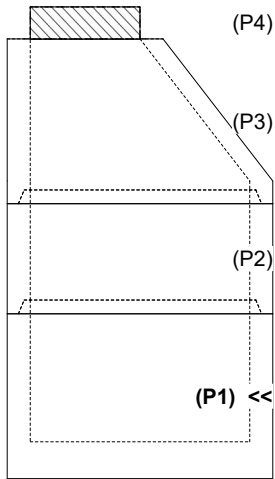
1. PER KYTC & ASTM C-478 SPECIFICATIONS
2. CONCRETE: 4,000 PSI AT 28 DAYS
3. REINFORCEMENT: PER ASTM A615
4. INVERT CHANNEL REQUIRED
5. STEPS AT 0 DEGREES
6. HOE MC-375 FRAME & COVER "BGMU SANITARY" SUPPLIED BY ICAST

Rim: 484.22' Rim to Invert: 7.82' Slack: 1.34" Sump: 2.5" Step Position: 0°

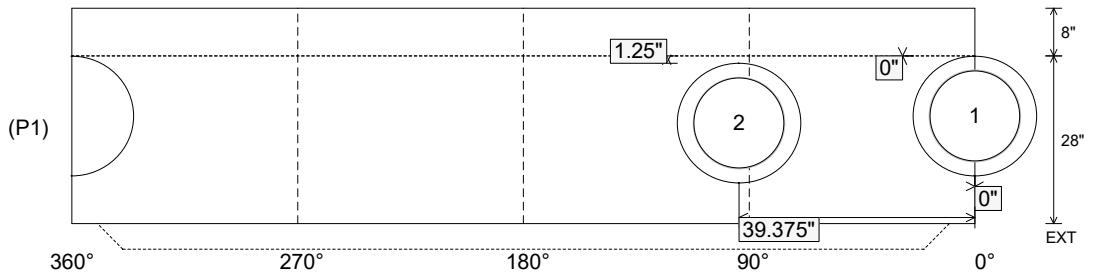
Position	Elev	Angle	Ext. (cw)	Pipe	Pipe OD	Connector	Hole	Horz Size	Up (↓)	Offset
Invert 1	476.4'	0°	0"	15" PVC SDR35	15.3"	Kor-N-Seal1 S106-20BW	20"	20.629"	0"	0"
Invert 2	476.5'	94°	47.625"	15" PVC SDR35	15.3"	Kor-N-Seal1 S106-20BW	20"	20.629"	1.25"	0"
Invert 3										
Invert 4										
Invert 5										
Invert 6										
Invert 7										
Invert 8										

RIGHT-SIDE UP VIEW (int. dimensions)

UPSIDE-DOWN VIEW (int. dimensions)



INSIDE WALL DIMENSIONS



Coating (Int): Coating (Ext):	Seam Up: Tongue Seam Dn: n/a	Wall Thickness: 5" Floor Height: 8"	Height (Int): 28" Height (Ext): 36"	Weight (Net): 3459 lb Volume (Net): 0.88cu.yd
----------------------------------	---------------------------------	--	--	--

Structure ID: 230-72 SS-MH

P1 MH048BAVF

MH BASE (08"F) T/n

P4) 24" - CASTING HEIGHT - 7" P3) 48" - ECC CONE w/ 24" HOLE F/G - 36" P2) 48" - MH RISER T/G - 24" P1) 48" - MH BASE (08"F) T/n - 28" 1) 48" - MH INVERT CHANNEL - FULL HEIGHT 1) JOINT WRAP - 0.065"x6"x50' CONSEAL CS212 1) JOINT WRAP PRIMER - CONSEAL CS-75 (1 gal.) 1) CASTING - HOE MC-375 F/C BGMU Sanitary 2) 48" - Conseal CS-102 1.00" (Double) 2) Kor-N-Seal1 - S106-20BW 6) MH Step ML-10-TDS-NCR - 10"	0 lb 3000 lb 1677 lb 3459 lb 1440 lb 0 lb 0 lb 271 lb 0 lb 13 lb 0 lb Structure Total: 9860 lb
--	--

Structure Notes:

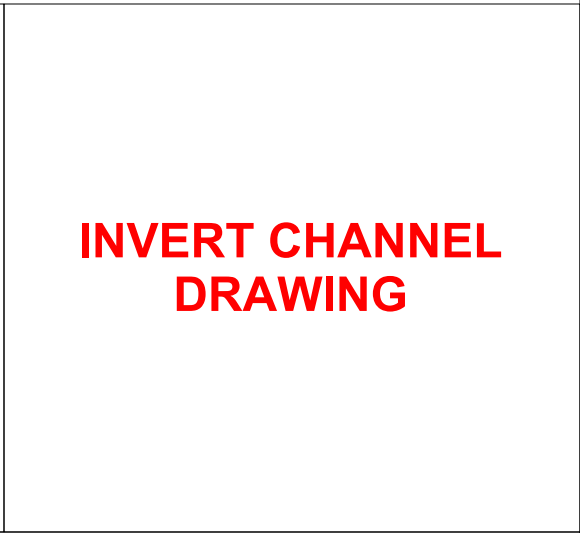
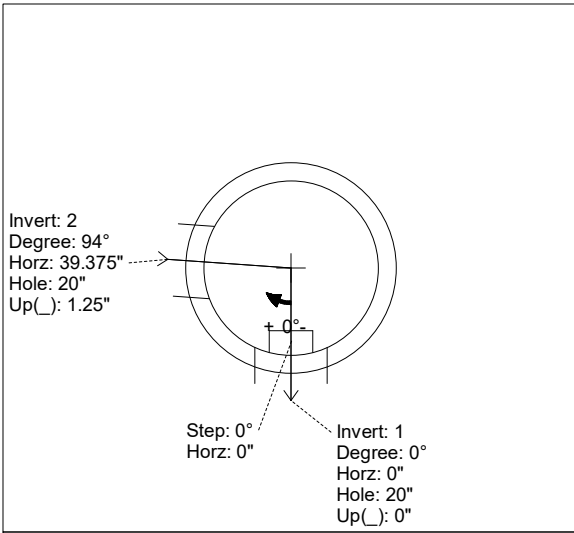
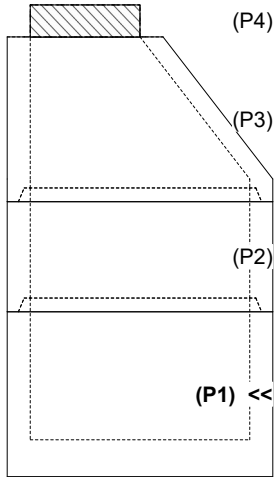
1. PER KYTC & ASTM C-478 SPECIFICATIONS
2. CONCRETE: 4,000 PSI AT 28 DAYS
3. REINFORCEMENT: PER ASTM A615
4. INVERT CHANNEL REQUIRED
5. STEPS AT 0 DEGREES
6. HOE MC-375 FRAME & COVER "BGMU SANITARY" SUPPLIED BY ICAST

Rim: 484.22' Rim to Invert: 7.82' Slack: 1.34" Sump: 2.5" Step Position: 0°

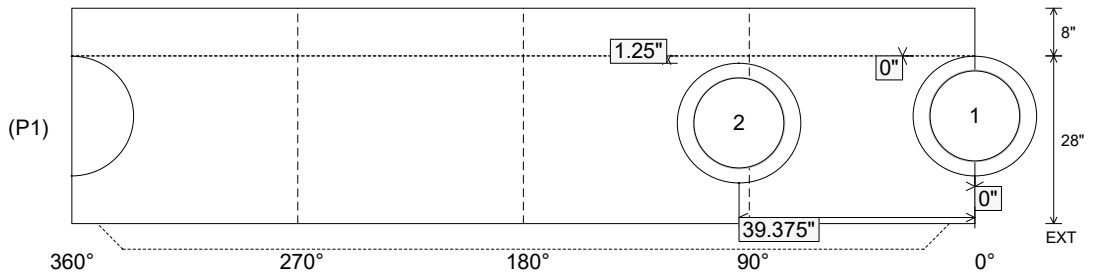
Position	Elev	Angle	Ext. (cw)	Pipe	Pipe OD	Connector	Hole	Horz Size	Up ()	Offset
Invert 1	476.4'	0°	0"	15" PVC SDR35	15.3"	Kor-N-Seal1 S106-20BW	20"	20.629"	0"	0"
Invert 2	476.5'	94°	47.625"	15" PVC SDR35	15.3"	Kor-N-Seal1 S106-20BW	20"	20.629"	1.25"	0"
Invert 3										
Invert 4										
Invert 5										
Invert 6										
Invert 7										
Invert 8										

RIGHT-SIDE UP VIEW (int. dimensions)

UPSIDE-DOWN VIEW (int. dimenions)



INSIDE WALL DIMENSIONS



Coating (Int): Coating (Ext):	Seam Up: Tongue Seam Dn: n/a	Wall Thickness: 5" Floor Height: 8"	Height (Int): 28" Height (Ext): 36"	Weight (Net): 3459 lb Volume (Net): 0.88cu.yd
----------------------------------	---------------------------------	--	--	--

Job Name: 25-3479 - Phase 24 Wastewater System Improvements
 Job Location: Columbia, KY
 Contractor: Cumberland Pipeline LLC

Plant: 100
 3/23/2026 1:48:43 PM

Tech: J. Horsley - F
 PC: E. Bradley



Structure ID: B-2

P1 MH048BAEVFCDARED

MH BASE w/FLANGE (08F/08EF) w/ConBlock-CDA Red

- P3) 24" - CASTING HEIGHT - 7" 0 lb
- P2) 48" - ECC CONE w/ 24" HOLE, w/ConBlock-CDA Red F/G - 30" 1961 lb
- P1) 48" - MH BASE w/FLANGE (08F/08EF) w/ConBlock-CDA Red T/n - 24" 4525 lb
- 1) ADMIXTURE CONBLOCK CDA RED 0 lb
- 1) 48" - MH INVERT CHANNEL w/ConBlock-CDA Red - FULL HEIGHT 1440 lb
- 1) JOINT WRAP PRIMER - CONSEAL CS-75 (1 gal.) 0 lb
- 1) JOINT WRAP - 0.065"x6"x50' CONSEAL CS212 0 lb
- 1) CASTING - HOE MC-375 F/C Sanitary 271 lb
- 1) 48" - Con Seal CS-102 1.00" (Double) 0 lb
- 1) Quik-Lok - QL-08-C 1 lb
- 5) MH Step ML-10-TDS-NCR - 10" 0 lb

Structure Total: 8199 lb

Structure Notes:
 1. PER ASTM C478 SPECIFICATIONS.
 2. CONCRETE = 4,000 PSI AT 28 DAYS.
 3. ADMIXTURE = CONBLOCK CDA RED.
 4. CASTING BY ICAST (HOE MC-375 F/C SANITARY)
 5. 8.5" EXTERNAL CHIMNEY SEAL BY ICAST.

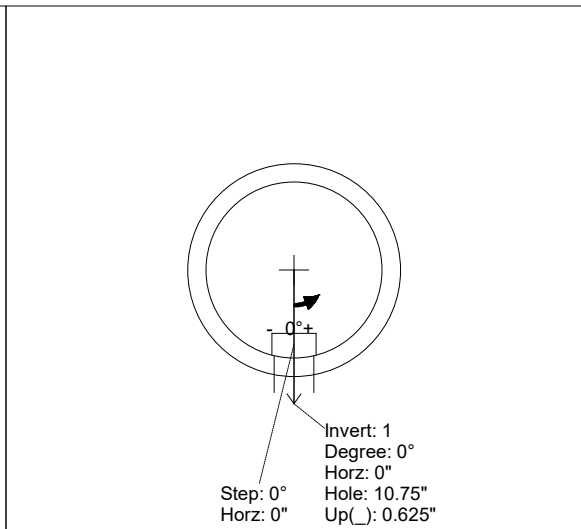
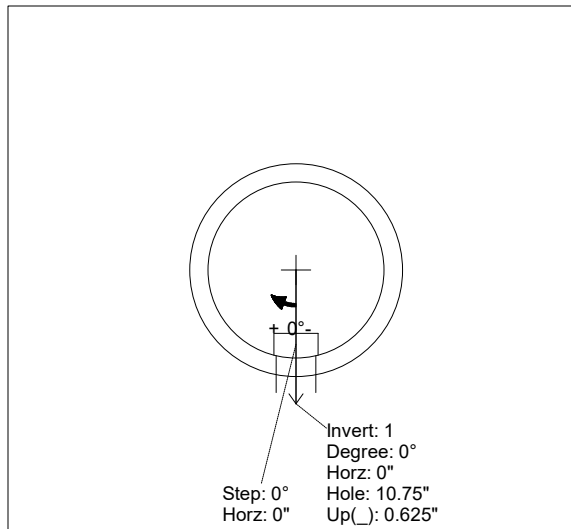
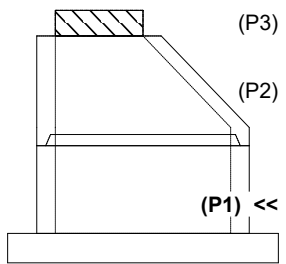
REINFORCING PER ASTM A615 (GRADE 60).
 - TOP SLAB = H20 LOADING.
 - RISER/WALLS (As .12)
 - FLOOR (As .31) #5 BARS AT 12" C.C.E.W.

Rim: 730.81' Rim to Invert: 5' Slack: 1" Sump: 2" Step Position: 0°

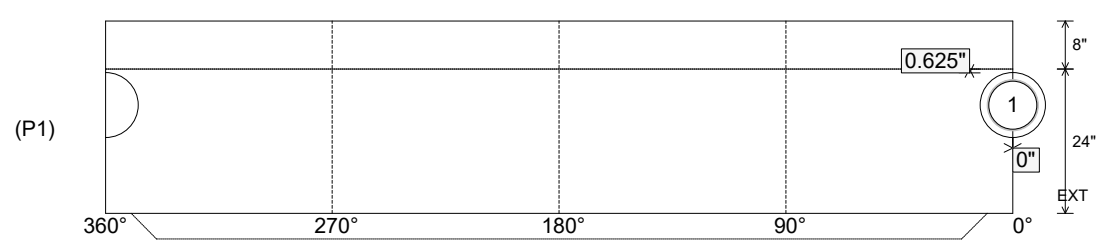
Position	Elev	Angle	Ext. (cw)	Pipe	Pipe OD	Connector	Hole	Horz Size	Up ()	Offset
Invert 1	725.81'	0°	0"	8" PVC SDR35	8.5"	Quik-Lok QL-08-C	10.75"	10.842"	0.625"	0"
Invert 2										
Invert 3										
Invert 4										
Invert 5										
Invert 6										
Invert 7										
Invert 8										

RIGHT-SIDE UP VIEW (int. dimensions)

UPSIDE-DOWN VIEW (int. dimensions)



INSIDE WALL DIMENSIONS



Coating (Int): Coating (Ext):	Seam Up: Tongue Seam Dn: n/a	Wall Thickness: 5" Floor Height: 8"	Height (Int): 24" Height (Ext): 32"	Weight (Net): 4525 lb Volume (Net): 1.16cu.yd
----------------------------------	---------------------------------	--	--	--

Job Name: 25-3479 - Phase 24 Wastewater System Improvements
 Job Location: Columbia, KY
 Contractor: Cumberland Pipeline LLC

Plant: 100
 3/23/2026 1:48:43 PM

Tech: J. Horsley - F
 PC: E. Bradley



Structure ID: B-2

P1 MH048BAEVFCDARED

MH BASE w/FLANGE (08F/08EF) w/ConBlock-CDA Red

- P3) 24" - CASTING HEIGHT - 7" 0 lb
- P2) 48" - ECC CONE w/ 24" HOLE, w/ConBlock-CDA Red F/G - 30" 1961 lb
- P1) 48" - MH BASE w/FLANGE (08F/08EF) w/ConBlock-CDA Red T/n - 24" 4525 lb
- 1) ADMIXTURE CONBLOCK CDA RED 0 lb
- 1) 48" - MH INVERT CHANNEL w/ConBlock-CDA Red - FULL HEIGHT 1440 lb
- 1) JOINT WRAP PRIMER - CONSEAL CS-75 (1 gal.) 0 lb
- 1) JOINT WRAP - 0.065"x6"x50' CONSEAL CS212 0 lb
- 1) CASTING - HOE MC-375 F/C Sanitary 271 lb
- 1) 48" - Conseal CS-102 1.00" (Double) 0 lb
- 1) Quik-Lok - QL-08-C 1 lb
- 5) MH Step ML-10-TDS-NCR - 10" 0 lb

Structure Total: 8199 lb

Structure Notes:
 1. PER ASTM C478 SPECIFICATIONS.
 2. CONCRETE = 4,000 PSI AT 28 DAYS.
 3. ADMIXTURE = CONBLOCK CDA RED.
 4. CASTING BY ICAST (HOE MC-375 F/C SANITARY)
 5. 8.5" EXTERNAL CHIMNEY SEAL BY ICAST.

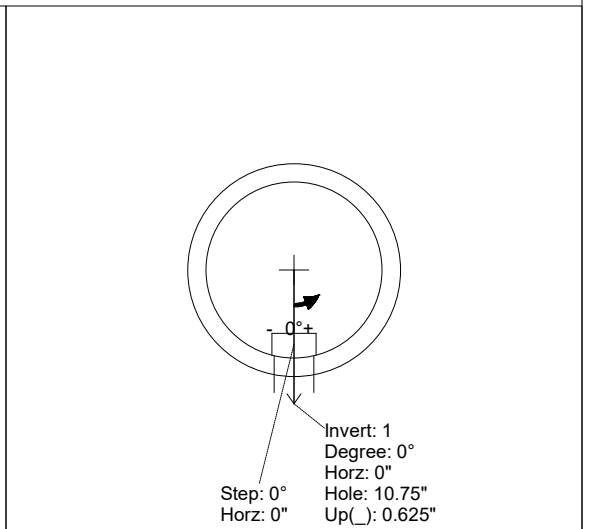
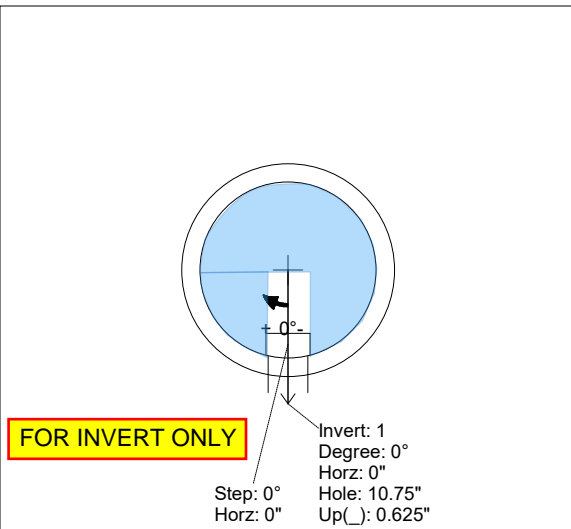
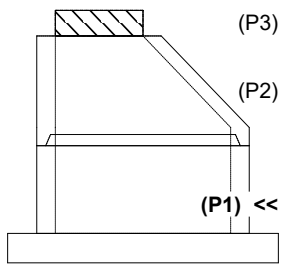
REINFORCING PER ASTM A615 (GRADE 60).
 - TOP SLAB = H20 LOADING.
 - RISER/WALLS (As .12)
 - FLOOR (As .31) #5 BARS AT 12" C.C.E.W.

Rim: 730.81' Rim to Invert: 5' Slack: 1" Sump: 2" Step Position: 0°

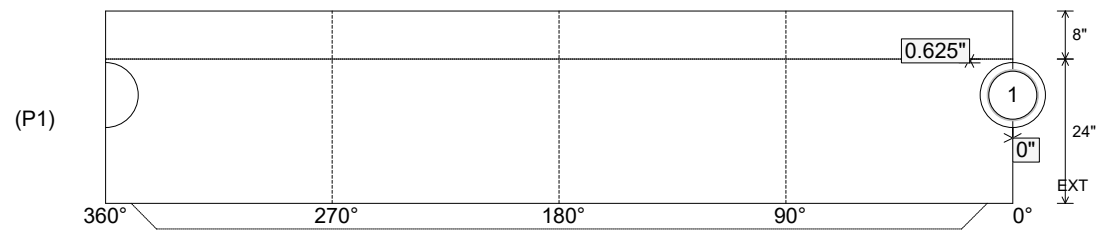
Position	Elev	Angle	Ext. (cw)	Pipe	Pipe OD	Connector	Hole	Horz Size	Up ()	Offset
Invert 1	725.81'	0°	0"	8" PVC SDR35	8.5"	Quik-Lok QL-08-C	10.75"	10.842"	0.625"	0"
Invert 2										
Invert 3										
Invert 4										
Invert 5										
Invert 6										
Invert 7										
Invert 8										

RIGHT-SIDE UP VIEW (int. dimensions)

UPSIDE-DOWN VIEW (int. dimensions)



INSIDE WALL DIMENSIONS



Coating (Int): Coating (Ext):	Seam Up: Tongue Seam Dn: n/a	Wall Thickness: 5" Floor Height: 8"	Height (Int): 24" Height (Ext): 32"	Weight (Net): 4525 lb Volume (Net): 1.16cu.yd
----------------------------------	---------------------------------	--	--	--

Job Name: 25-4590 Uhlhorn Sewer Repairs
 Job Location: Evansville, IN
 Contractor: Bowen Engineering Corporation

Plant: Beaver Dam
 5/11/2026 10:20:34 AM

Tech: S. Felletter
 PC: A. Chambers



Structure ID: 100 (6)

P2 MH060TS15-48ECC-CDARED

MH TRANS. SLAB ECC w/ConBlock-CDA Red T/G

- P6) 24" - CASTING HEIGHT - 7"
- P5) 48" - ECC CONE w/ 24" HOLE, w/ConBlock-CDA Red F/G - 30"
- P4) 48" - MH RISER w/ConBlock-CDA Red T/G - 72"
- P3) 48" - MH RISER w/ConBlock-CDA Red T/G - 72"
- P2) 60" - MH TRANS. SLAB ECC w/ConBlock-CDA Red T/G - 15"
- P1) 60" - MH BASE Custom Ht, w/ConBlock-CDA Red T/n - 67"
- 1) JOINT WRAP - 0.065"x6"x50' CONSEAL CS212
- 1) JOINT WRAP PRIMER - CONSEAL CS-75 (1 gal.)
- 1) 60" - MH INVERT CHANNEL EWSU w/ConBlock-CDA Red - FULL HEIGHT
- 1) CASTING - HOE MC-315 F/C Sanitary
- 1) 60" - Conseal CS-102 1.00" (Double)
- 3) 48" - Conseal CS-102 1.00" (Double)
- 1) Kor-N-Seal2 - S206-30
- 1) Kor-N-Seal2 - S206-22L

0 lb
 1961 lb
 5030 lb
 5030 lb
 2204 lb
 9162 lb
 0 lb
 0 lb
 2962 lb
 258 lb
 0 lb
 0 lb
 6 lb
 6 lb

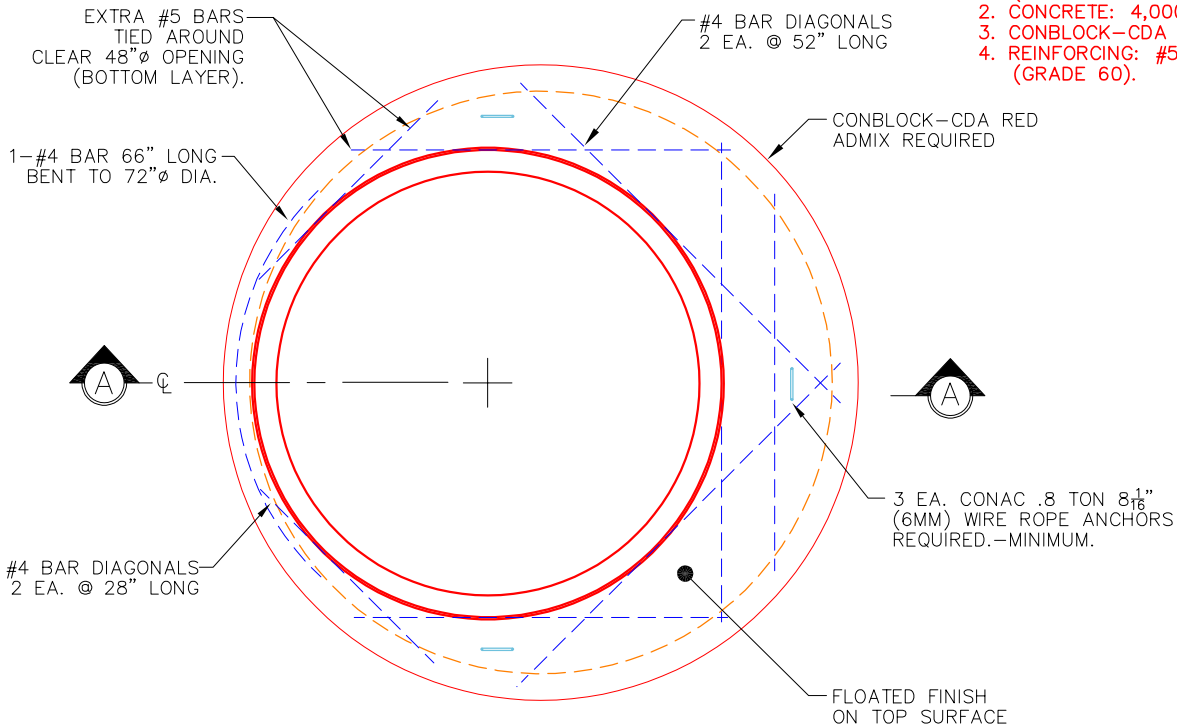
Structure Notes:
 1. PER ASTM C478 SPECIFICATIONS.
 2. CONCRETE = 4,000 PSI AT 28 DAYS.
 3. CASTING BY ICAST (HOE MC-315 F/C "SANITARY").
 4. NO STEPS.

 REINFORCING PER ASTM A615 (GRADE 60).
 - TOP SLAB (As .31) #5 BARS AT 6" C.C.E.W.
 - RISER/WALLS (As .18)
 - FLOOR (As .37) #5 BARS AT 10" C.C.E.W.

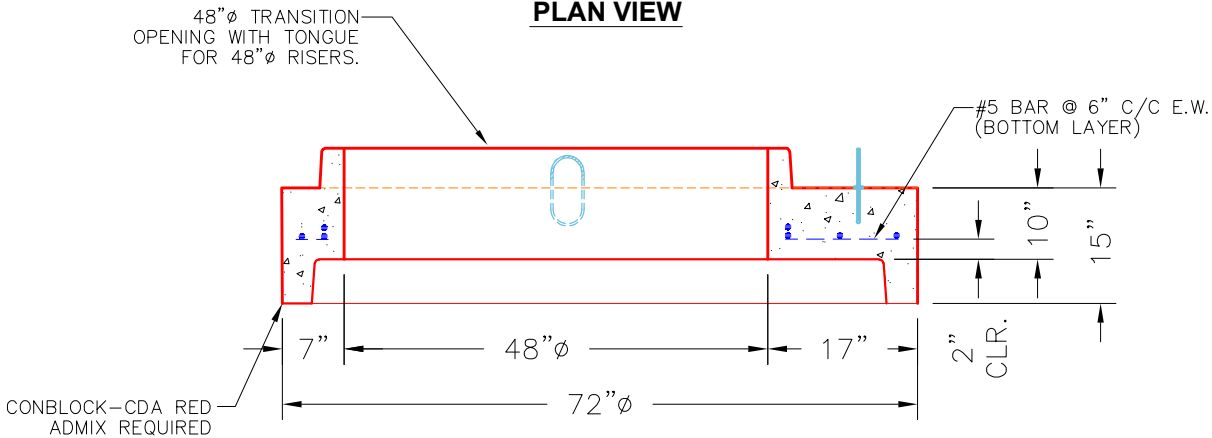
Structure Total: 26621 lb

NOTES:

1. MANUFACTURED TO ASTM C-478 (LATEST REVISION).
2. CONCRETE: 4,000 PSI AT 28 DAYS.
3. CONBLOCK-CDA RED ADMIXTURE REQUIRED.
4. REINFORCING: #5 BAR @ 6" C/C E.W. (GRADE 60).



PLAN VIEW



SECTION A-A

Coating (Int):
 Coating (Ext):

Seam Up: Tongue
 Seam Dn: Groove

Wall Thickness: 6"

Height (Ext): 15"

Weight (Net): 2204 lb
 Volume (Net): 0.56cu.yd

Job Name: 25-3452 - Churchill Downs Skye Terrace Improvements
 Job Location: Louisville, KY 40208
 Contractor: Louisville Paving and Construction

Plant: 100
 4/30/2026 1:23:03 PM

Tech: Jared - F
 PC: J. Jarvis



Structure ID: S213

P3 MH060LD13

MH FLAT TOP w/ 24" ECC Hole F/G

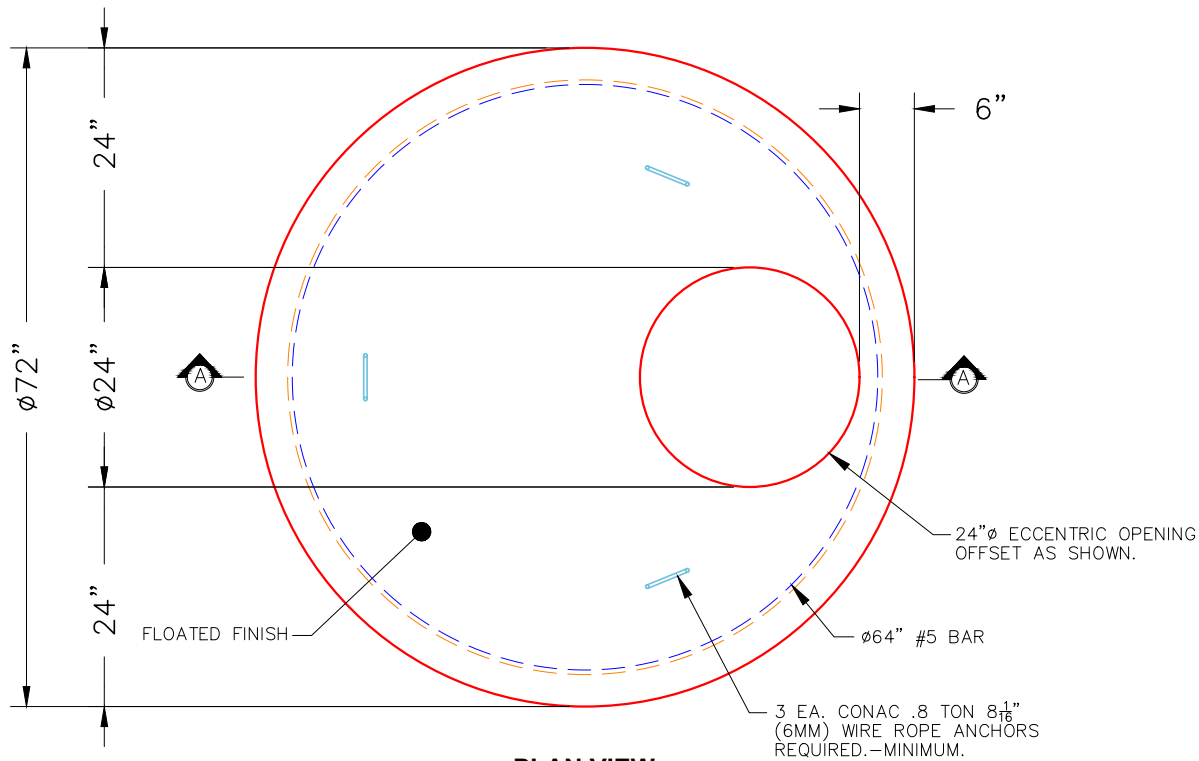
- P5) 24" - CASTING HEIGHT - 7"
- P4) 24" - GRADE RING F/F - 4"
- P3) 60" - MH FLAT TOP w/ 24" ECC Hole F/G - 13"
- P2) 60" - MH RISER T/G - 36"
- P1) 60" - MH BASE Custom Ht T/n - 43"
- 1) CASTING - HOE MC-420 F/C Storm
- 2) 60" - Conseal CS-102 1.00"
- 2) Hole - 30
- 1) Hole - 16
- 7) MH Step ML-10-TDS-NCR - 10"

0 lb
 270 lb
 2869 lb
 3656 lb
 6482 lb
 340 lb
 0 lb
 0 lb
 0 lb
 0 lb
 0 lb
 13617 lb

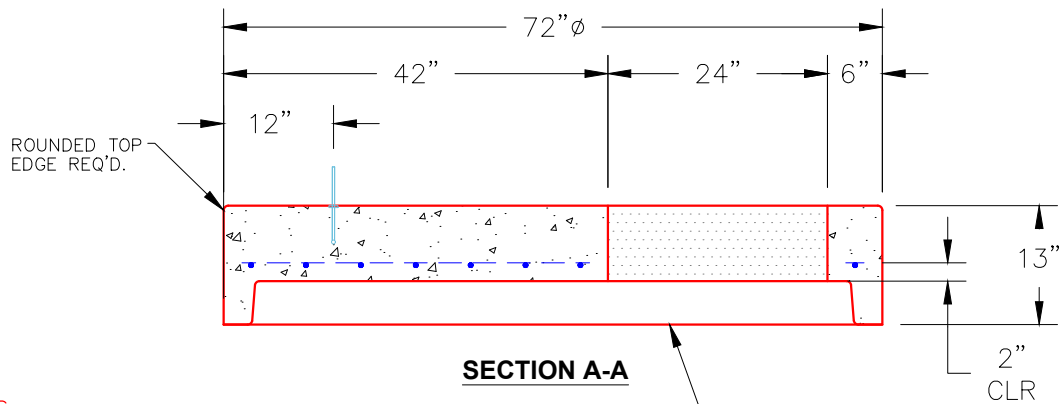
- Structure Notes:**
1. PER ASTM C478 SPECIFICATIONS.
 2. CONCRETE = 4,000 PSI AT 28 DAYS.
 3. NO INVERT CHANNEL.
 4. CASTING BY ICAST (HOE MC-420 F/C STORM)

REINFORCING PER ASTM A615 (GRADE 60).
 - TOP SLAB (As .62) #5 BARS AT 6" C.C.E.W..
 - RISER/WALLS (As .18)
 - FLOOR (As .37) #5 BARS AT 10" C.C.E.W.

Structure Total:



PLAN VIEW



SECTION A-A

NOTES:

1. MANUFACTURED TO ASTM C-478 (LATEST REVISION).
2. CONCRETE: 4,000 PSI AT 28 DAYS.
3. REINFORCING: #5 BAR @ 6" O.C. E.W. (GRADE 60).

Coating (Int):
 Coating (Ext):

Seam Up: Flat
 Seam Dn: Groove

Wall Thickness: 6"

Height (Ext): 13"

Weight (Net): 2869 lb
 Volume (Net): 0.73cu.yd

Job Name: 25-3118 - W6 Ph 2-C Force Main Improvements
 Job Location: Fort Mitchell, KY 41017
 Contractor: Lykins Contracting

Plant: 100

Tech: J. Horsley - A

3/20/2026 1:21:13 PM

PC: Celina Goff



Structure ID: 2301535

P1 MH060BAVF

MH BASE Custom Ht T/n

- P5) 24" - CASTING HEIGHT - 7"
- P4) 48" - CON CONE w/24" HOLE F/G - 36"
- P3) 48" - MH RISER T/G - 48"
- P2) 60" - MH Transition Slab 48" Hole T/G - 15"
- P1) 60" - MH BASE Custom Ht T/n - 67"
- 1) 60" - MH INVERT CHANNEL - FULL HEIGHT
- 1) 60" - Conseal CS-102 1.00" (Double)
- 2) 48" - Conseal CS-102 1.00" (Double)
- 2) A-Lok - 1235
- 12) MH Step ML-10-TDS-NCR - 10"

	0 lb
	2252 lb
	3353 lb
	2204 lb
	8373 lb
	2692 lb
	0 lb
	0 lb
	2 lb
	0 lb
Structure Total:	18877 lb

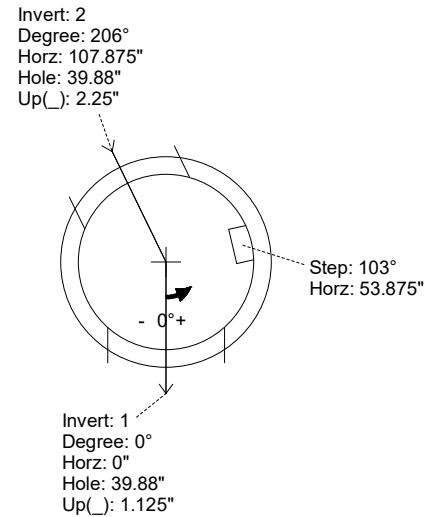
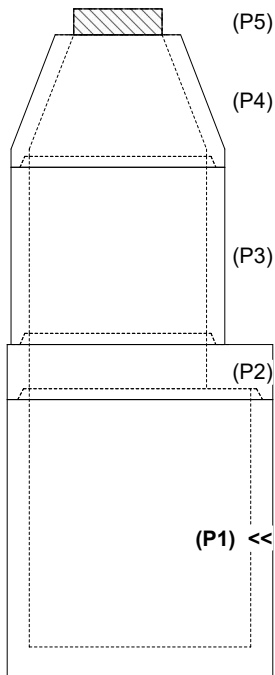
- Structure Notes:**
1. PER ASTM C-478 SPECIFICATIONS
 2. CONCRETE: 4,000 PSI AT 28 DAYS
 3. REINFORCEMENT:
 - WALLS: PER ASTM A615 - DOUBLE MAT
 - FLOOR: #5 BAR @ 12" C.C. E.W. (GRADE 60) - 2" MIN. REBAR CLEARANCE (TYP)
 4. INVERT CHANNEL REQUIRED
 5. STEPS AT 103 DEGREES
 6. 7" CASTING SUPPLIED BY OTHERS

Rim: 745.18' Rim to Invert: 14.42' Slack: 3.04" Sump: 3" Step Position: 103°

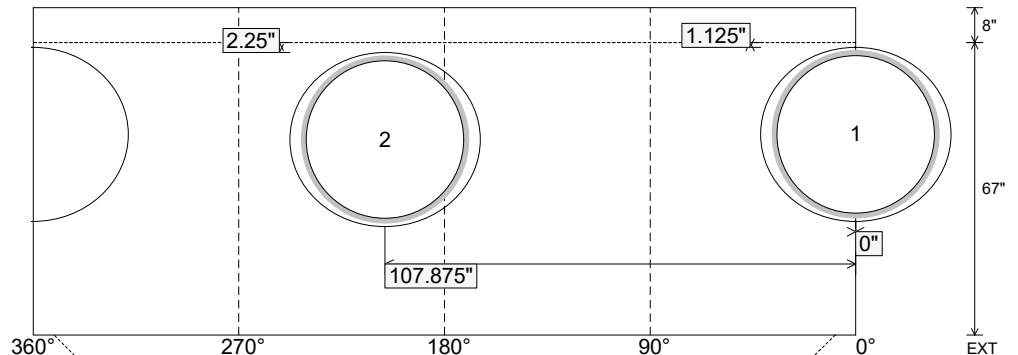
Position	Elev	Angle	Ext. (cw)	Pipe	Pipe OD	Connector	Hole	Horz Size	Up ()	Offset
Invert 1	730.76'	0°	0"	36" PVC SDR35/F679	38.3"	A-Lok 1235	39.88"	43.623"	1.125"	0"
Invert 2	730.86'	206°	129.375"	36" PVC SDR35/F679	38.3"	A-Lok 1235	39.88"	43.623"	2.25"	0"
Invert 3										
Invert 4										
Invert 5										
Invert 6										
Invert 7										
Invert 8										

RIGHT-SIDE UP VIEW (int. dimensions)

UPSIDE-DOWN VIEW (int. dimensions)



INSIDE WALL DIMENSIONS



Coating (Int):
 Coating (Ext):

Seam Up: Tongue
 Seam Dn: n/a

Wall Thickness: 6"
 Floor Height: 8"

Height (Int): 67"
 Height (Ext): 75"

Weight (Net): 8373 lb
 Volume (Net): 2.14cu.yd

Job Name: 25-3118 - W6 Ph 2-C Force Main Improvements
 Job Location: Fort Mitchell, KY 41017
 Contractor: Lykins Contracting

Plant: 100

Tech: J. Horsley - A

3/20/2026 1:21:13 PM

PC: Celina Goff



Structure ID: 2301535

P1 MH060BAVF

MH BASE Custom Ht T/n

- P5) 24" - CASTING HEIGHT - 7"
- P4) 48" - CON CONE w/24" HOLE F/G - 36"
- P3) 48" - MH RISER T/G - 48"
- P2) 60" - MH Transition Slab 48" Hole T/G - 15"
- P1) 60" - MH BASE Custom Ht T/n - 67"
- 1) 60" - MH INVERT CHANNEL - FULL HEIGHT
- 1) 60" - Conseal CS-102 1.00" (Double)
- 2) 48" - Conseal CS-102 1.00" (Double)
- 2) A-Lok - 1235
- 12) MH Step ML-10-TDS-NCR - 10"

0 lb
 2252 lb
 3353 lb
 2204 lb
 8373 lb
 2692 lb
 0 lb
 0 lb
 2 lb
 0 lb

 Structure Total: 18877 lb

Structure Notes:

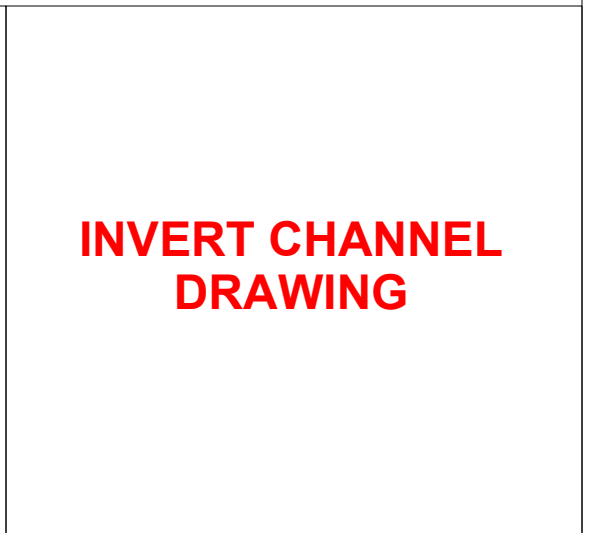
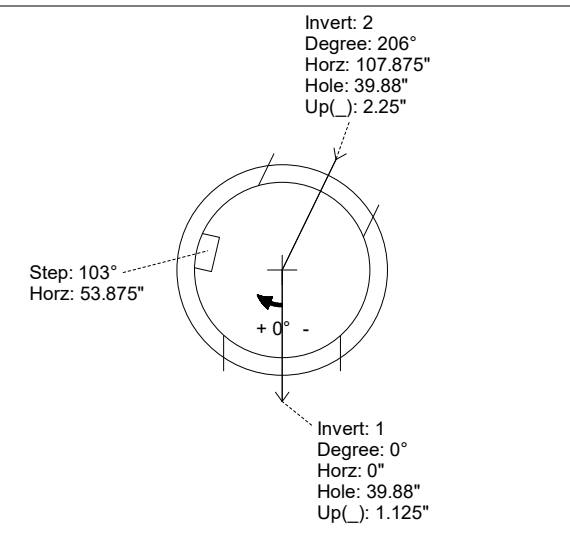
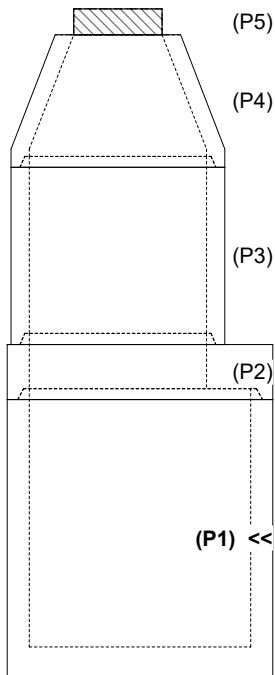
1. PER ASTM C-478 SPECIFICATIONS
2. CONCRETE: 4,000 PSI AT 28 DAYS
3. REINFORCEMENT:
 - WALLS: PER ASTM A615 - DOUBLE MAT
 - FLOOR: #5 BAR @ 12" C.C. E.W. (GRADE 60) - 2" MIN. REBAR CLEARANCE (TYP)
4. INVERT CHANNEL REQUIRED
5. STEPS AT 103 DEGREES
6. 7" CASTING SUPPLIED BY OTHERS

Rim: 745.18' Rim to Invert: 14.42' Slack: 3.04" Sump: 3" Step Position: 103°

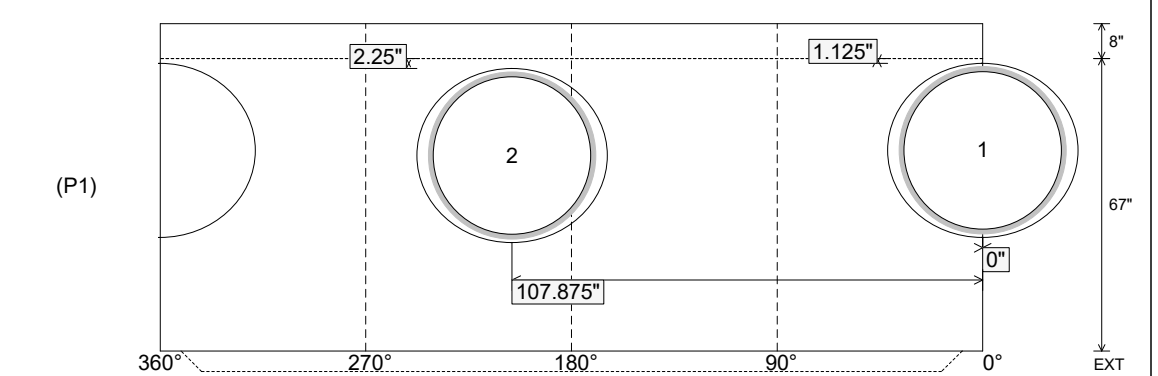
Position	Elev	Angle	Ext. (cw)	Pipe	Pipe OD	Connector	Hole	Horz Size	Up ()	Offset
Invert 1	730.76'	0°	0"	36" PVC SDR35/F679	38.3"	A-Lok 1235	39.88"	43.623"	1.125"	0"
Invert 2	730.86'	206°	129.375"	36" PVC SDR35/F679	38.3"	A-Lok 1235	39.88"	43.623"	2.25"	0"
Invert 3										
Invert 4										
Invert 5										
Invert 6										
Invert 7										
Invert 8										

RIGHT-SIDE UP VIEW (int. dimensions)

UPSIDE-DOWN VIEW (int. dimenions)



INSIDE WALL DIMENSIONS



Coating (Int):
 Coating (Ext):

Seam Up: Tongue
 Seam Dn: n/a

Wall Thickness: 6"
 Floor Height: 8"

Height (Int): 67"
 Height (Ext): 75"

Weight (Net): 8373 lb
 Volume (Net): 2.14cu.yd

Job Name: 25-3118 - W6 Ph 2-C Force Main Improvements
 Job Location: Fort Mitchell, KY 41017
 Contractor: Lykins Contracting

Plant: 100

Tech: J. Horsley - A

3/20/2026 1:21:24 PM

PC: Celina Goff



Structure ID: 2301543

P1 MH060BAVF

MH BASE (12"F) Custom Ht T/n

- P6) 24" - CASTING HEIGHT - 7"
- P5) 48" - CON CONE w/24" HOLE F/G - 36"
- P4) 48" - MH RISER T/G - 60"
- P3) 48" - MH RISER T/G - 72"
- P2) 60" - MH Transition Slab 48" Hole T/G - 15"
- P1) 60" - MH BASE (12"F) Custom Ht T/n - 58"
- 1) 60" - MH INVERT CHANNEL - FULL HEIGHT
- 1) 60" - Conseal CS-102 1.00" (Double)
- 3) 48" - Conseal CS-102 1.00" (Double)
- 2) A-Lok - 1235
- 19) MH Step ML-10-TDS-NCR - 10"

0 lb
 2252 lb
 4192 lb
 5030 lb
 2204 lb
 8800 lb
 2692 lb
 0 lb
 0 lb
 2 lb
 0 lb

 Structure Total: 25172 lb

Structure Notes:

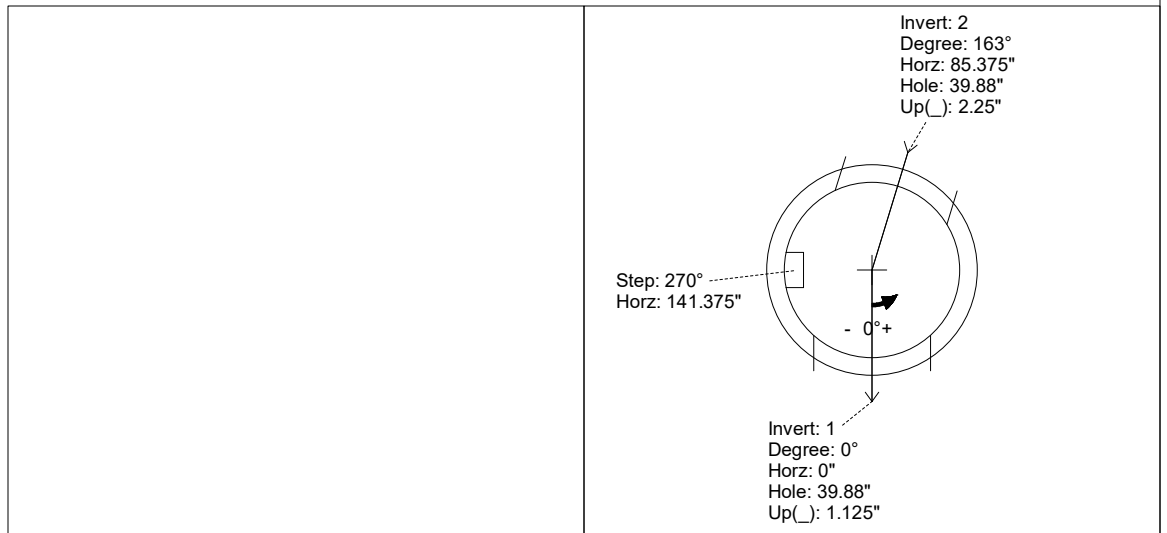
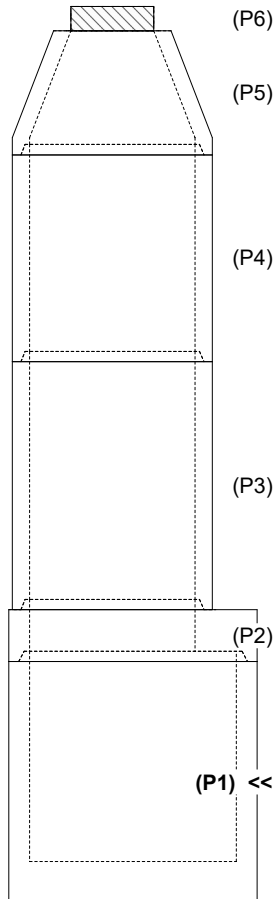
1. PER ASTM C-478 SPECIFICATIONS
2. CONCRETE: 4,000 PSI AT 28 DAYS
3. REINFORCEMENT:
 - WALLS: PER ASTM A615 - DOUBLE MAT
 - FLOOR: #5 BAR @ 12" C.C. E.W. (GRADE 60) - 2" MIN. REBAR CLEARANCE (TYP)
4. INVERT CHANNEL REQUIRED
5. STEPS AT 270 DEGREES
6. 7" CASTING SUPPLIED BY OTHERS

Rim: 754.68' Rim to Invert: 20.56' Slack: 1.72" Sump: 3" Step Position: 270°

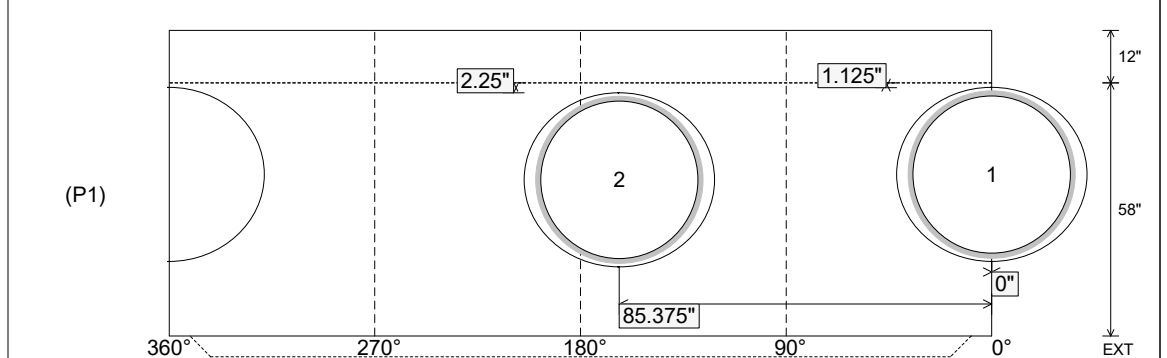
Position	Elev	Angle	Ext. (cw)	Pipe	Pipe OD	Connector	Hole	Horz Size	Up ()	Offset
Invert 1	734.12'	0°	0"	36" PVC SDR35/F679	38.3"	A-Lok 1235	39.88"	43.623"	1.125"	0"
Invert 2	734.22'	163°	102.375"	36" PVC SDR35/F679	38.3"	A-Lok 1235	39.88"	43.623"	2.25"	0"
Invert 3										
Invert 4										
Invert 5										
Invert 6										
Invert 7										
Invert 8										

RIGHT-SIDE UP VIEW (int. dimensions)

UPSIDE-DOWN VIEW (int. dimensions)



INSIDE WALL DIMENSIONS



Coating (Int):
 Coating (Ext):

Seam Up: Tongue
 Seam Dn: n/a

Wall Thickness: 6"
 Floor Height: 12"

Height (Int): 58"
 Height (Ext): 70"

Weight (Net): 8800 lb
 Volume (Net): 2.25cu.yd

Job Name: 25-3118 - W6 Ph 2-C Force Main Improvements
 Job Location: Fort Mitchell, KY 41017
 Contractor: Lykins Contracting

Plant: 100

Tech: J. Horsley - A

3/20/2026 1:21:24 PM

PC: Celina Goff



Structure ID: 2301543

P1 MH060BAVF

MH BASE (12"F) Custom Ht T/n

- P6) 24" - CASTING HEIGHT - 7"
- P5) 48" - CON CONE w/24" HOLE F/G - 36"
- P4) 48" - MH RISER T/G - 60"
- P3) 48" - MH RISER T/G - 72"
- P2) 60" - MH Transition Slab 48" Hole T/G - 15"
- P1) 60" - MH BASE (12"F) Custom Ht T/n - 58"
- 1) 60" - MH INVERT CHANNEL - FULL HEIGHT
- 1) 60" - Conseal CS-102 1.00" (Double)
- 3) 48" - Conseal CS-102 1.00" (Double)
- 2) A-Lok - 1235
- 19) MH Step ML-10-TDS-NCR - 10"

0 lb
 2252 lb
 4192 lb
 5030 lb
 2204 lb
 8800 lb
 2692 lb
 0 lb
 0 lb
 2 lb
 0 lb

 Structure Total: 25172 lb

Structure Notes:

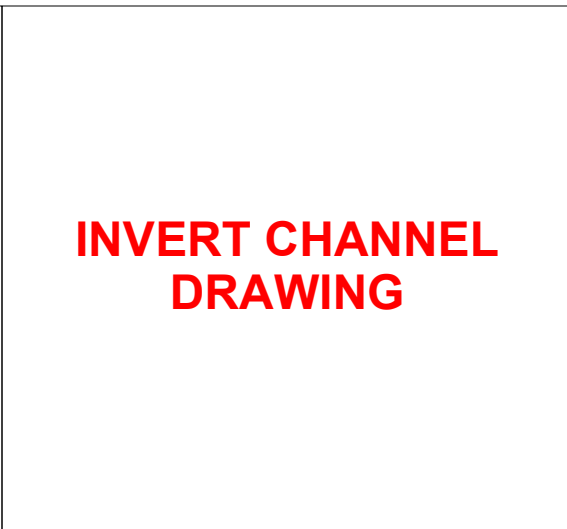
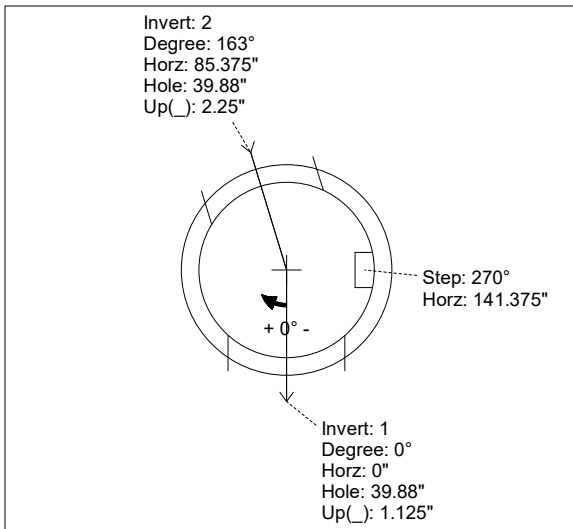
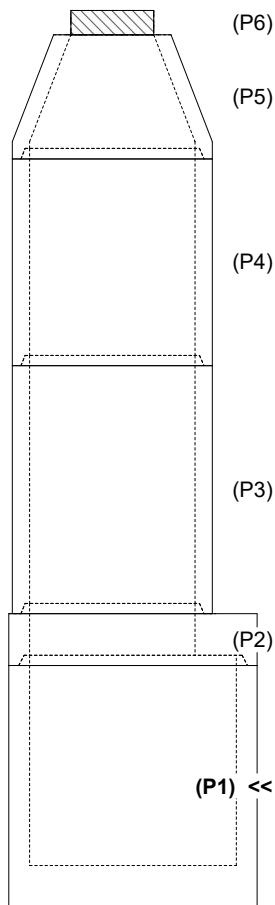
1. PER ASTM C-478 SPECIFICATIONS
2. CONCRETE: 4,000 PSI AT 28 DAYS
3. REINFORCEMENT:
 - WALLS: PER ASTM A615 - DOUBLE MAT
 - FLOOR: #5 BAR @ 12" C.C. E.W. (GRADE 60) - 2" MIN. REBAR CLEARANCE (TYP)
4. INVERT CHANNEL REQUIRED
5. STEPS AT 270 DEGREES
6. 7" CASTING SUPPLIED BY OTHERS

Rim: 754.68' Rim to Invert: 20.56' Slack: 1.72' Sump: 3' Step Position: 270°

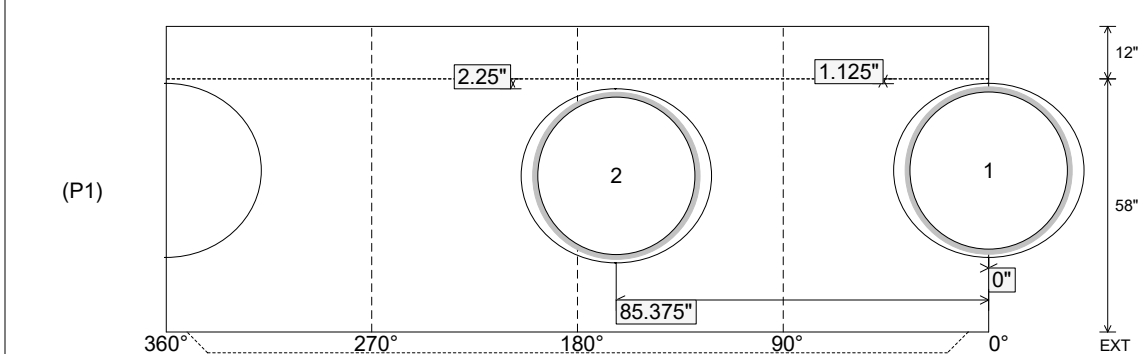
Position	Elev	Angle	Ext. (cw)	Pipe	Pipe OD	Connector	Hole	Horz Size	Up ()	Offset
Invert 1	734.12'	0°	0"	36" PVC SDR35/F679	38.3"	A-Lok 1235	39.88"	43.623"	1.125"	0"
Invert 2	734.22'	163°	102.375"	36" PVC SDR35/F679	38.3"	A-Lok 1235	39.88"	43.623"	2.25"	0"
Invert 3										
Invert 4										
Invert 5										
Invert 6										
Invert 7										
Invert 8										

RIGHT-SIDE UP VIEW (int. dimensions)

UPSIDE-DOWN VIEW (int. dimenions)



INSIDE WALL DIMENSIONS



Coating (Int):
 Coating (Ext):

Seam Up: Tongue
 Seam Dn: n/a

Wall Thickness: 6"
 Floor Height: 12"

Height (Int): 58"
 Height (Ext): 70"

Weight (Net): 8800 lb
 Volume (Net): 2.25cu.yd

Job Name: 25-3118 - W6 Ph 2-C Force Main Improvements
 Job Location: Fort Mitchell, KY 41017
 Contractor: Lykins Contracting

Plant: 100

Tech: J. Horsley - A

3/26/2026 2:14:25 PM

PC: Celina Goff



Structure ID: 2301538

P3 MH060R60

MH RISER w/DROP T/G

- P8) 24" - CASTING HEIGHT - 7"
- P7) 48" - CON CONE w/24" HOLE F/G - 24"
- P6) 48" - MH RISER T/G - 72"
- P5) 48" - MH RISER T/G - 72"
- P4) 60" - MH Transition Slab 48" Hole T/G - 15"
- P3) 60" - MH RISER w/DROP T/G - 60"
- P2) 60" - MH RISER w/DROP Custom Ht T/G - 38"
- P1) 60" - MH BASE (14"F) w/DROP Custom Ht T/n - 72"
- 1) 60" - MH INVERT CHANNEL - FULL HEIGHT
- 1) SECONDARY POUR - Add Exterior Drop to Base (P1)
- 1) SECONDARY POUR - Add Exterior Drop to Riser (P2)
- 1) SECONDARY POUR - Add Exterior Drop to Riser (P3)
- 3) 60" - Conseal CS-102 1.00" (Double)
- 3) 48" - Conseal CS-102 1.00" (Double)
- 2) A-Lok - 1235
- 1) Drop Tee - 8" PVC
- 1) Drop Elbow - 8" PVC
- 28) MH Step ML-10-TDS-NCR - 10"

- 0 lb
- 2252 lb
- 5030 lb
- 5030 lb
- 2204 lb
- 6235 lb
- 3967 lb
- 14615 lb
- 2692 lb
- 3698 lb
- 1634 lb
- 2580 lb
- 0 lb
- 0 lb
- 2 lb
- 0 lb
- 0 lb
- 0 lb

- Structure Notes:**
1. PER ASTM C-478 SPECIFICATIONS
 2. CONCRETE: 4,000 PSI AT 28 DAYS
 3. REINFORCEMENT: PER ASTM A615
 4. STEPS AT 200 DEGREES
 5. 7" CASTING SUPPLIED BY OTHERS
 6. EXTERIOR DROP AT INVERTS 3 & 4 SUPPLIED BY ICAST

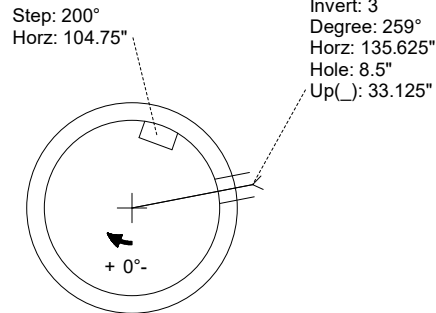
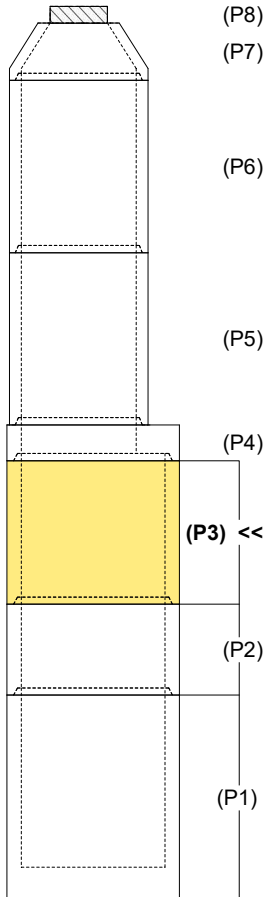
Structure Total: 49939 lb

FIRST POUR (RISER): 6,235 LBS
SECOND POUR (DROP): 2,580 LBS

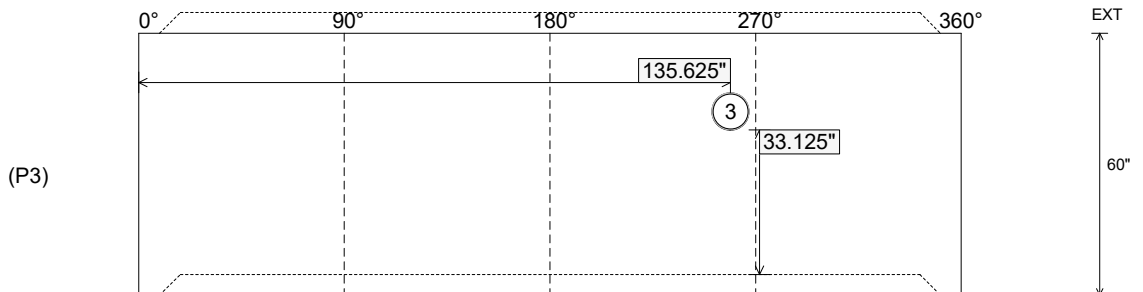
Rim: 762.81' Rim to Invert: 29.97' Slack: 2.64" Sump: 3" Step Position: 200°

Position	Elev	Angle	Ext. (cw)	Pipe	Pipe OD	Connector	Hole	Horz Size	Up ()	Offset
Invert 1										
Invert 2										
Invert 3	744.93'	259°	162.75"	8" PVC SDR35	8.5"	Drop Tee 8" PVC	8.5"	8.529"	33.125"	0"
Invert 4										
Invert 5										
Invert 6										
Invert 7										
Invert 8										

RIGHT-SIDE UP VIEW (int. dimensions)



INSIDE WALL DIMENSIONS



Coating (Int):
Coating (Ext):

Seam Up: Tongue
Seam Dn: Groove

Wall Thickness: 6"
Floor Height: 0"

Height (Int): 60"
Height (Ext): 60"

Weight (Net): 6235 lb
Volume (Net): 1.59cu.yd

Job Name: 25-3118 - W6 Ph 2-C Force Main Improvements
 Job Location: Fort Mitchell, KY 41017
 Contractor: Lykins Contracting

Plant: 100

Tech: J. Horsley - A

3/26/2026 2:14:25 PM

PC: Celina Goff



Structure ID: 2301538

P3 MH060R60

MH RISER w/DROP T/G

- P8) 24" - CASTING HEIGHT - 7"
- P7) 48" - CON CONE w/24" HOLE F/G - 24"
- P6) 48" - MH RISER T/G - 72"
- P5) 48" - MH RISER T/G - 72"
- P4) 60" - MH Transition Slab 48" Hole T/G - 15"
- P3) 60" - MH RISER w/DROP T/G - 60"
- P2) 60" - MH RISER w/DROP Custom Ht T/G - 38"
- P1) 60" - MH BASE (14"F) w/DROP Custom Ht T/n - 72"
- 1) 60" - MH INVERT CHANNEL - FULL HEIGHT
- 1) SECONDARY POUR - Add Exterior Drop to Base (P1)
- 1) SECONDARY POUR - Add Exterior Drop to Riser (P2)
- 1) SECONDARY POUR - Add Exterior Drop to Riser (P3)
- 3) 60" - Conseal CS-102 1.00" (Double)
- 3) 48" - Conseal CS-102 1.00" (Double)
- 2) A-Lok - 1235
- 1) Drop Tee - 8" PVC
- 1) Drop Elbow - 8" PVC
- 28) MH Step ML-10-TDS-NCR - 10"

0 lb
 2252 lb
 5030 lb
 5030 lb
 2204 lb
 6235 lb
 3967 lb
 14615 lb
 2692 lb
 3698 lb
 1634 lb
 2580 lb
 0 lb
 0 lb
 2 lb
 0 lb
 0 lb
 0 lb
 0 lb
 0 lb

Structure Notes:

1. PER ASTM C-478 SPECIFICATIONS
2. CONCRETE: 4,000 PSI AT 28 DAYS
3. EXTERIOR DROP REINFORCEMENT: DRILL & STUB #4 BAR @ 12" C.C. E.W. (GRADE 60) - 2" MIN. REBAR CLEARANCE (TYP)
4. STEPS AT 200 DEGREES
5. 7" CASTING SUPPLIED BY OTHERS
6. EXTERIOR DROP AT INVERTS 3 & 4 SUPPLIED BY ICAST
7. ADD 8" SDR 35 DROP & TEE AT INVERT 3 (259°)

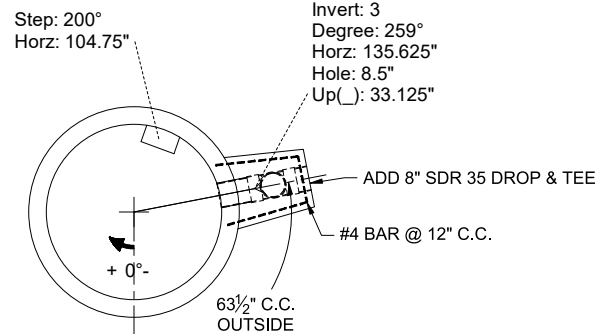
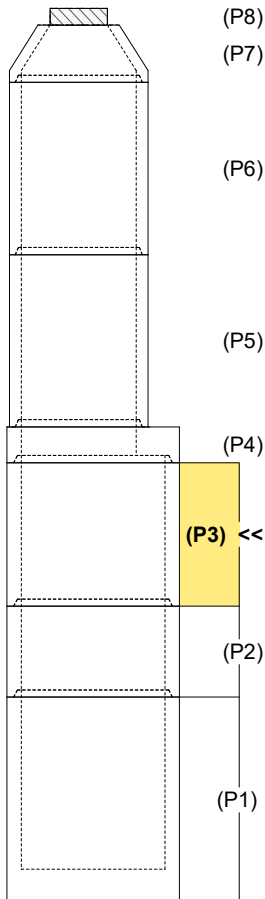
Structure Total: 49939 lb

FIRST POUR (RISER): 6,235 LBS
SECOND POUR (DROP): 2,580 LBS

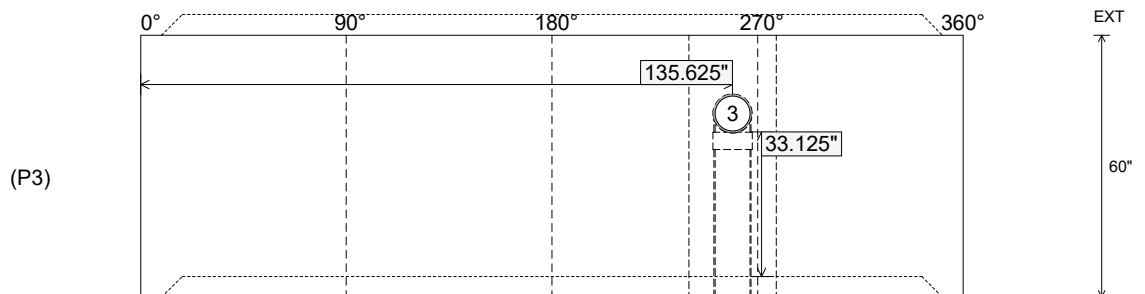
Rim: 762.81' Rim to Invert: 29.97' Slack: 2.64" Sump: 3" Step Position: 200°

Position	Elev	Angle	Ext. (cw)	Pipe	Pipe OD	Connector	Hole	Horz Size	Up ()	Offset
Invert 1										
Invert 2										
Invert 3	744.93'	259°	162.75"	8" PVC SDR35	8.5"	Drop Tee 8" PVC	8.5"	8.529"	33.125"	0"
Invert 4										
Invert 5										
Invert 6										
Invert 7										
Invert 8										

RIGHT-SIDE UP VIEW (int. dimensions)



INSIDE WALL DIMENSIONS



Coating (Int):
 Coating (Ext):

Seam Up: Tongue
 Seam Dn: Groove

Wall Thickness: 6"
 Floor Height: 0"

Height (Int): 60"
 Height (Ext): 60"

Weight (Net): 6235 lb
 Volume (Net): 1.59cu.yd

Structure ID: 10-CS-6

P2 MH072RSVF

MH RISER Custom Ht T/G

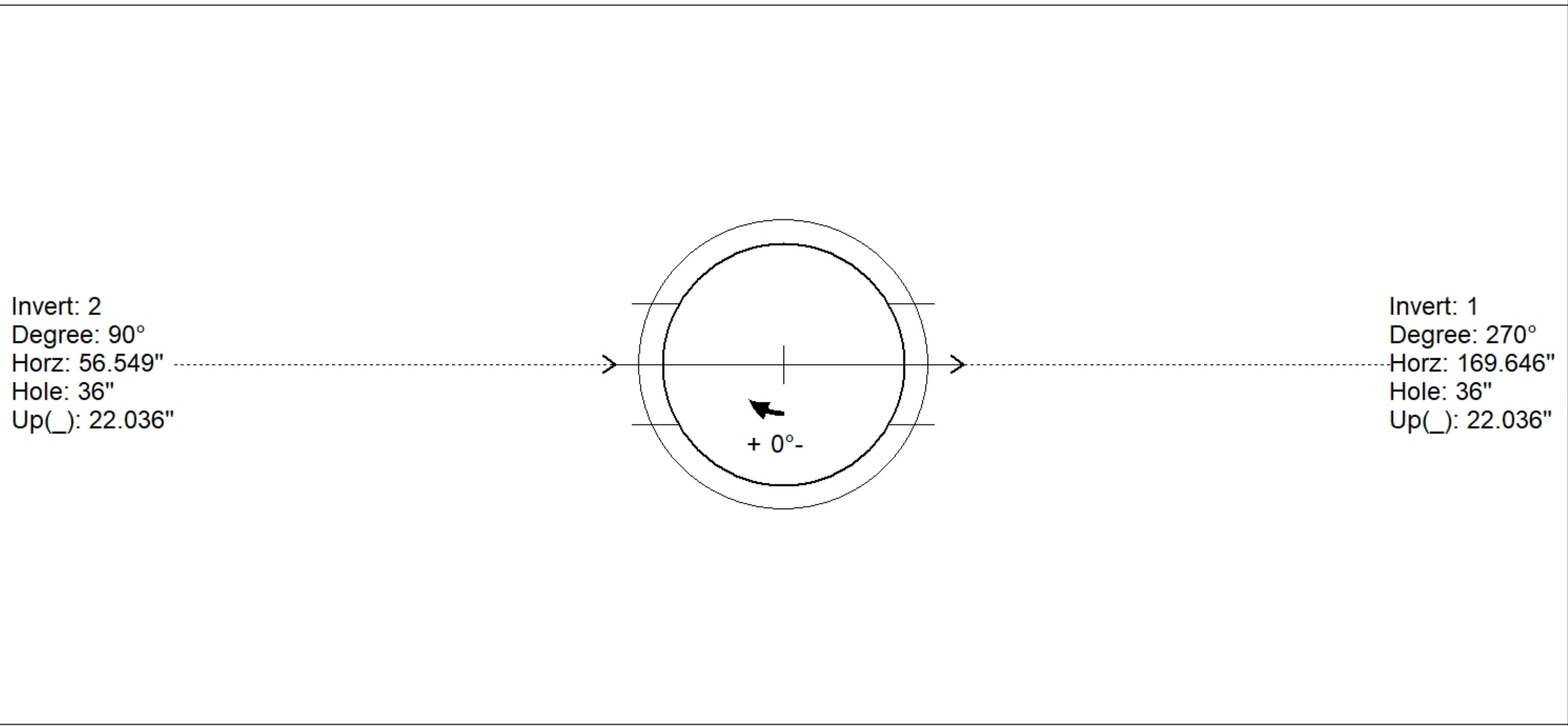
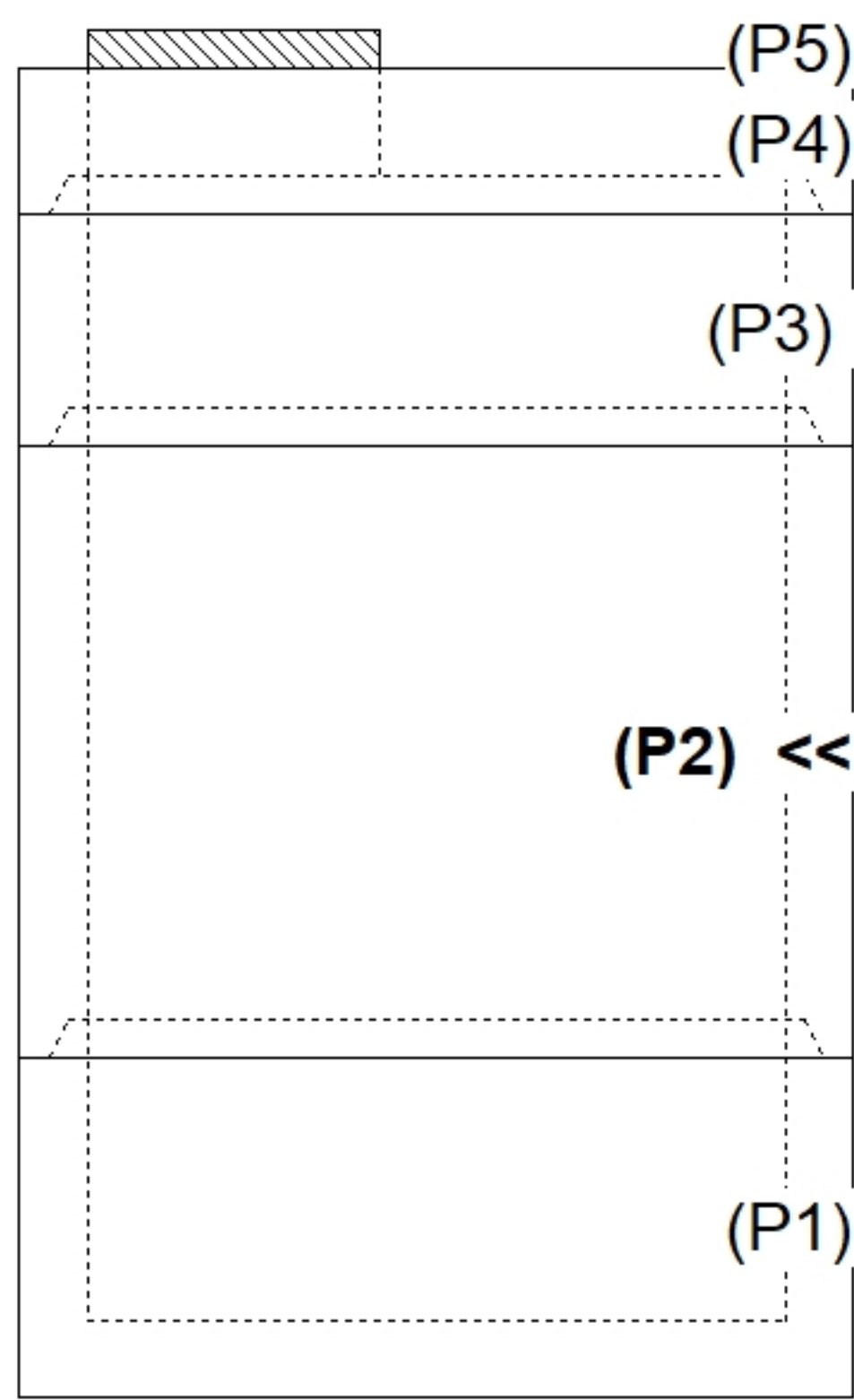
P5) 30" - CASTING HEIGHT - 4" P4) 72" - MH FLAT TOP SPEC. (30" ECC HOLE) F/G - 15" P3) 72" - MH RISER NO STEPS T/G - 24" P2) 72" - MH RISER Custom Ht T/G - 63" P1) 72" - MH BASE Custom Ht T/n - 27" 1) ASSEMBLY REQUIRED 1) CVSTENCILING 3) 72" - Conseal CS-102 1.00" 2) Hole - 36	0 lb 4661 lb 3499 lb 7941 lb 7835 lb 0 lb 0 lb 0 lb 0 lb 0 lb	Structure Notes: 4" CASTING BY OTHERS LIFTING ANCHORS TO BE INSTALLED ON THE OUTSIDE OF THE STRUCTURE ICAST TO INSTALL THE INTERNALS CONTECH'S LOGO AS WELL AS THE INLET AND OUTLET MUST BE STENCILED ONTO THE STRUCTURE BASE & P2 RISER TO BE MECHANICALLY ATTACHED BEFORE INSTALL
---	--	---

Structure Total: 23936 lb

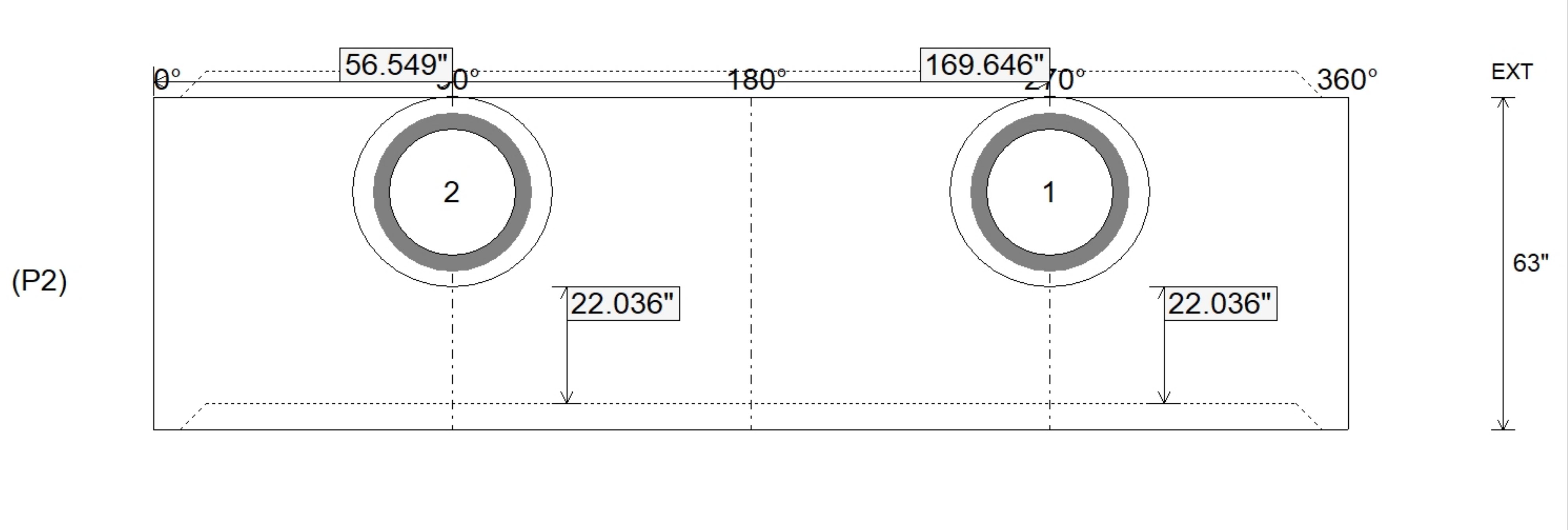
Rim: 476.78' Rim to Invert: 6.27' Slack: 2.276" Sump: 60.036" Step Position:

Position	Elev	Angle	Ext. (cw)	Pipe	Pipe OD	Connector	Hole	Horz Size	Up ()	Offset
Invert 1	470.51'	270°	202.633"	24" RCP B WALL	30"	Hole 36	36"	37.699"	22.036"	0"
Invert 2	470.51'	90°	67.544"	24" RCP B WALL	30"	Hole 36	36"	37.699"	22.036"	0"
Invert 3										
Invert 4										
Invert 5										
Invert 6										
Invert 7										
Invert 8										

RIGHT-SIDE UP VIEW (int. dimensions)



INSIDE WALL DIMENSIONS



Coating (Int):	Seam Up: Tongue Seam Dn: Groove	Wall Thickness: 7" Floor Height: 0"	Height (Int): 63" Height (Ext): 63"
Coating (Ext):			Weight (Net): 7941 lb Volume (Net): 2.03cu.yd

Job Name: 25-4279 - KYTC Christian Co (251031)
 Job Location: Hopkinsville, KY
 Contractor: CITCO Water

Plant: 100
 5/11/2026 6:34:37 PM

Tech: Jared- F
 PC: C. Goff



Structure ID: WW

P3 MH072RS72CDARED

MH RISER w/ConBlock-CDA Red T/G

P4) 72" - MH FLAT TOP w/42"x42" Hatch w/ConBlock-CDA Red - 15"	3774 lb
P3) 72" - MH RISER w/ConBlock-CDA Red - 72"	10473 lb
P2) 72" - MH RISER Custom Ht. w/ConBlock-CDA Red - 75"	10800 lb
P1) 72" - MH BASE EF Cust. Ht. 8'F (7"EF =100"OD) w/ ConBlock CDA RED - 54"	13144 lb
1) ADMIXTURE CONBLOCK CDA RED	0 lb
1) JOINT WRAP - 12" WD x 072" MAC WRAP	0 lb
1) SECONDARY POUR - EXT. FLANGE	0 lb
3) 72" - Conseal CS-231 1.00" (Double)	0 lb
3) Hole - 4	0 lb
2) Hole - 12	0 lb
Structure Total:	38192 lb

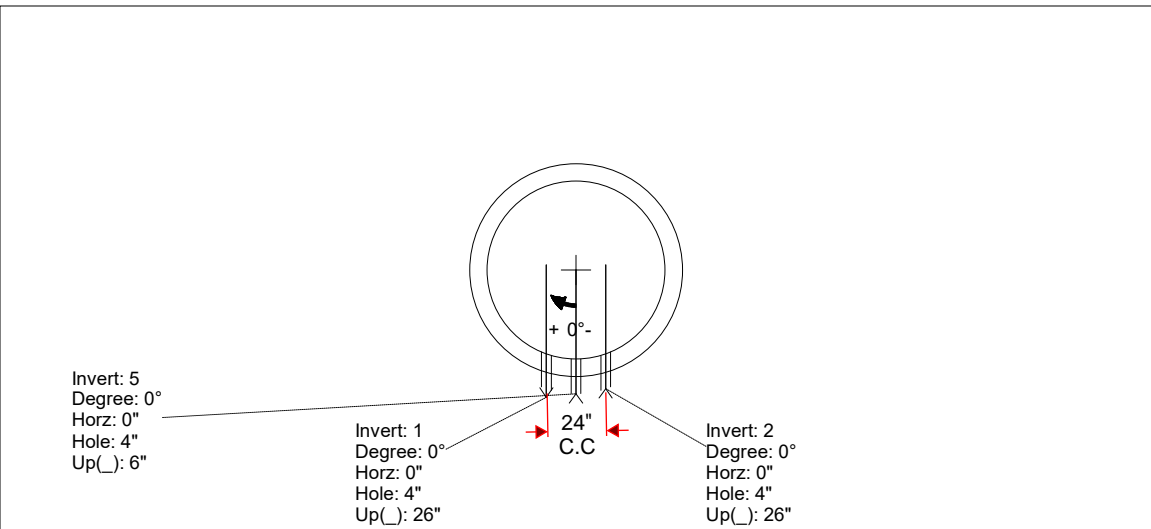
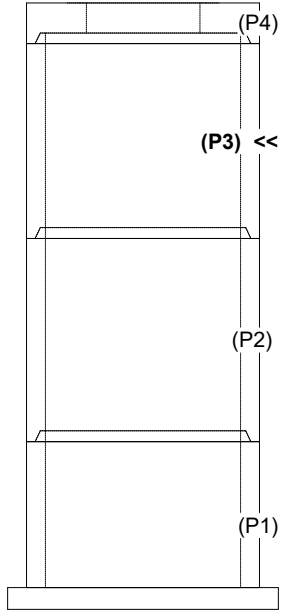
Structure Notes:
 1. PER ASCTM C478 SPECIFICATIONS.
 2. CONCRETE = 4,500 PSI AT 28 DAYS.
 3. NO STEPS AND NO INVERT CHANNEL.
 4. ALUMINUM HATCH SUPPLIED BY OTHERS & CAST IN TOP SLAB BY ICAST. CENTERED LOCATION TO BE VERIFIED.

REINFORCING PER ASTM A615 (GRADE 60)
 - TOP SLAB TOP LAYER= #5 BARS AT 12" C/C.
 - TOP SLAB BTM LAYER= #5 BARS AT 6" C/C.
 - RISER/WALLS (As .24)
 - BTM SLAB - DBL MAT #4 BARS AT 12" C/C.

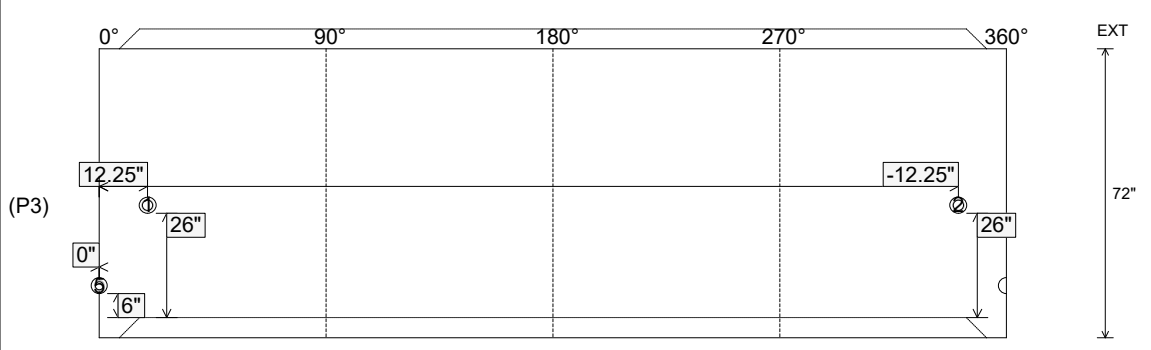
Rim: 565' Rim to Invert: 12.5' Slack: 0" Sump: 66" Step Position:

Position	Elev	Angle	Ext. (cw)	Pipe	Pipe OD	Connector	Hole	Horz Size	Up ()	Offset
Invert 1	560.4'	0°	12.125"	2.5" DI	2.875"	Hole 4	4"	4.246"	26"	12"
Invert 2	560.4'	0°	-12.125"	2.5" DI	2.875"	Hole 4	4"	4.246"	26"	-12"
Invert 3										
Invert 4										
Invert 5	558.75'	0°	0"	2" DI	2.5"	Hole 4	4"	4.002"	6"	0"
Invert 6										
Invert 7										
Invert 8										

RIGHT-SIDE UP VIEW (int. dimensions)



INSIDE WALL DIMENSIONS



Coating (Int): Coating (Ext):	Seam Up: Tongue Seam Dn: Groove	Wall Thickness: 7" Floor Height: 0"	Height (Int): 72" Height (Ext): 72"	Weight (Net): 10473 lb Volume (Net): 2.68cu.yd
----------------------------------	------------------------------------	--	--	---

Job Name: 26-2324 880717 Shepper & Converse Ave
 Job Location: Plain City, OH
 Contractor: Contech Engineering Solutions

Plant: Beaver Dam
 5/14/2026 10:47:56 AM

Tech: S. Felletter
 PC: C. Goff



Structure ID: 15-CS-8

P1 MH096BAVF

MH MONOBASE 13F, Custom Ht T/n

P5) 24" - CASTING HEIGHT - 4"	0 lb
P4) 96" - MH FLAT TOP SPEC. (2 - 24"Ø HOLES) F/G - 17"	10015 lb
P3) 96" - MH RISER T/G - 78"	17622 lb
P2) 96" - MH RISER T/G - 36"	8968 lb
P1) 96" - MH MONOBASE 13F, Custom Ht T/n - 24"	17113 lb
1) CVSTENCILING	0 lb
1) ASSEMBLY REQUIRED	0 lb
3) 96" - Conseal CS-102 1.00"	0 lb
2) Hole - 36	0 lb
1) Hole - 20	0 lb
Structure Total:	53719 lb

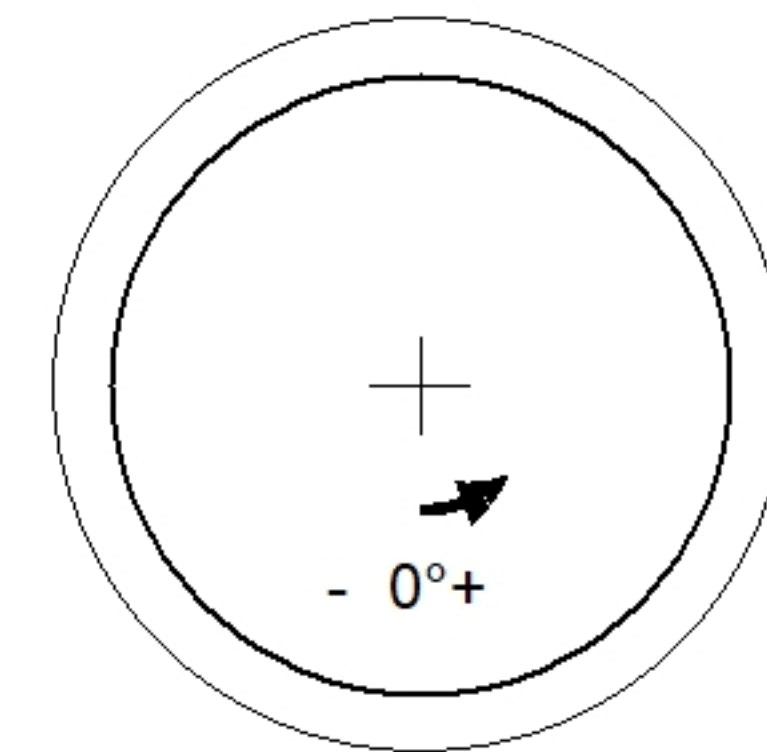
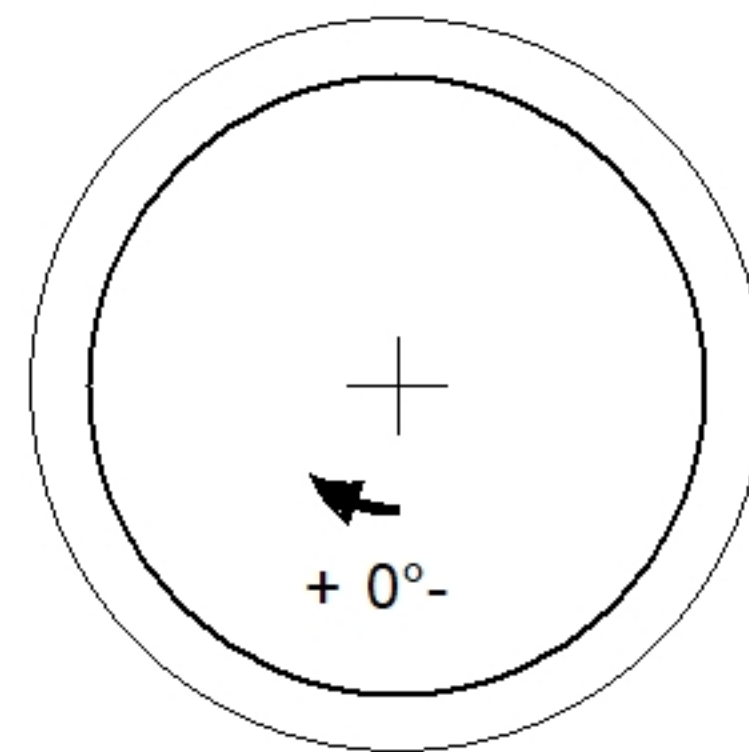
Structure Notes: 4" CASTING BY OTHERS
 LIFTING ANCHORS TO BE INSTALLED
 ON THE OUTSIDE OF THE STRUCTURE
 ICAST TO INSTALL INTERNALS
 CONTECH'S LOGO AS WELL AS THE
 INLET AND OUTLET MUST BE
 STENCILED ONTO THE STRUCTURE
 P2 & P3 RISERS TO BE MECHANICALLY
 ATTACHED PRIOR TO INSTALL

Rim: 929.71' Rim to Invert: 7.65' Slack: 14.844" Sump: 82.044" Step Position:

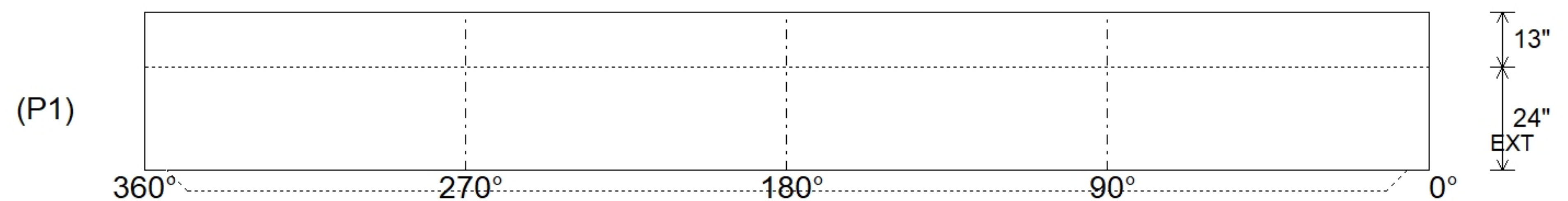
Position	Elev	Angle	Ext. (cw)	Pipe	Pipe OD	Connector	Hole	Horz Size	Up (L)	Offset
Invert 1										
Invert 2										
Invert 3										
Invert 4										
Invert 5										
Invert 6										
Invert 7										
Invert 8										

RIGHT-SIDE UP VIEW (int. dimensions)

UPSIDE-DOWN VIEW (int. dimensions)



INSIDE WALL DIMENSIONS



Coating (Int):
 Coating (Ext):

Seam Up: Tongue
 Seam Dn: n/a

Wall Thickness: 9"
 Floor Height: 13"

Height (Int): 24"
 Height (Ext): 37"

Weight (Net): 17113 lb
 Volume (Net): 4.37cu.yd

Job Name: 26-2324 880717 Shepper & Converse Ave
 Job Location: Plain City, OH
 Contractor: Contech Engineering Solutions

Plant: Beaver Dam

Tech: S. Felletter

5/13/2026 11:55:21 AM

PC: C. Goff



Structure ID: 15-CS-8

P4 MH096LD17SP

MH FLAT TOP SPEC. (2 - 24"Ø HOLES) F/G

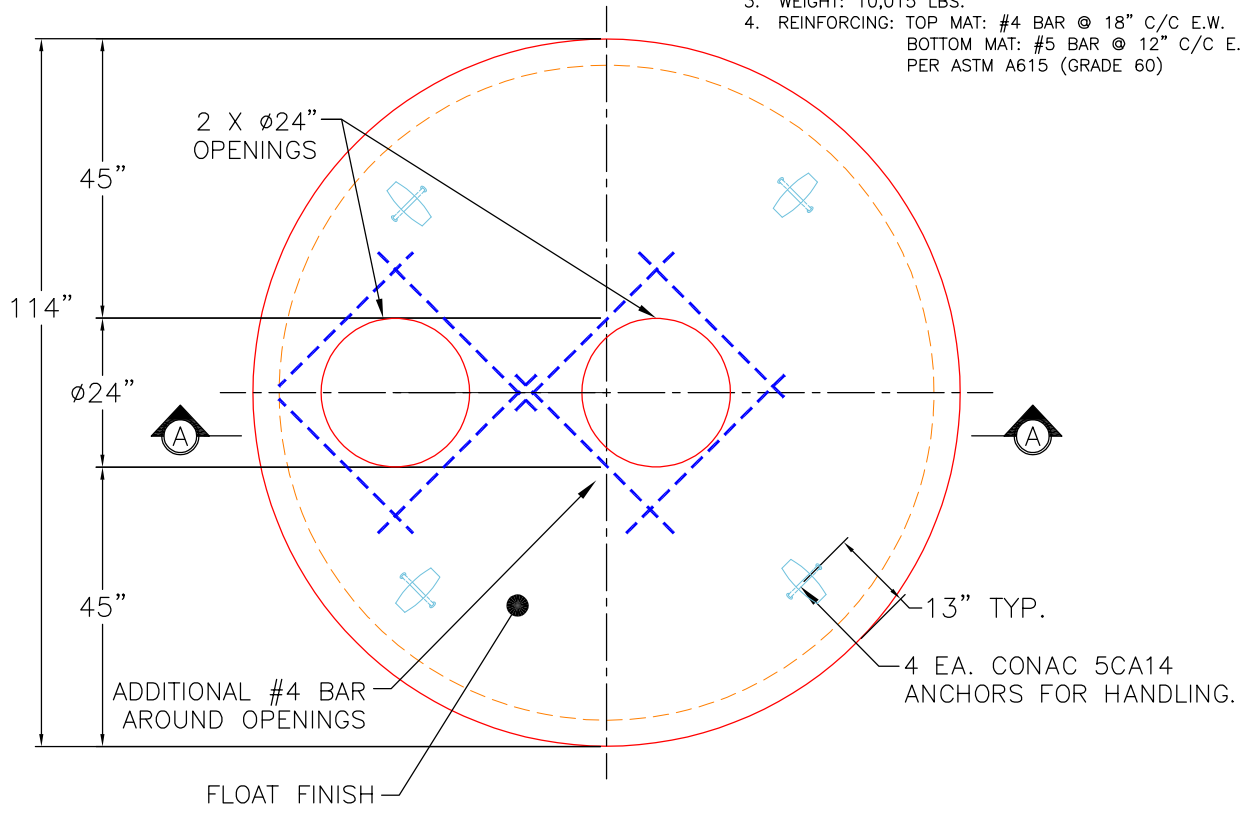
- P5) 24" - CASTING HEIGHT - 4"
- P4) 96" - MH FLAT TOP SPEC. (2 - 24"Ø HOLES) F/G - 17"
- P3) 96" - MH RISER T/G - 78"
- P2) 96" - MH RISER T/G - 36"
- P1) 96" - MH MONOBASE 13F, Custom Ht T/n - 24"
- 1) CVSTENCILING
- 1) ASSEMBLY REQUIRED
- 3) 96" - Conseal CS-102 1.00"
- 2) Hole - 36
- 1) Hole - 20

Structure Notes:
 4" CASTING BY OTHERS
 LIFTING ANCHORS TO BE INSTALLED ON THE OUTSIDE OF THE STRUCTURE
 ICAST TO INSTALL INTERNALS
 CONTECH'S LOGO AS WELL AS THE INLET AND OUTLET MUST BE STENCILED ONTO THE STRUCTURE
 P2 & P3 RISERS TO BE MECHANICALLY ATTACHED PRIOR TO INSTALL

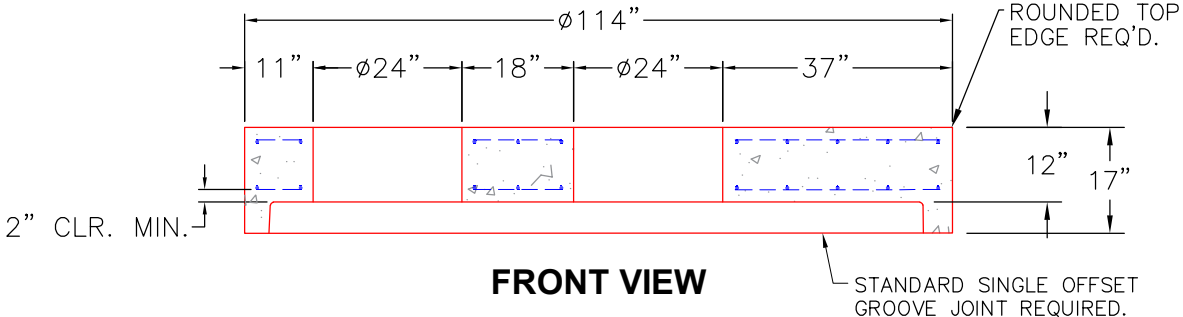
Structure Total: 53719 lb

GENERAL NOTES:

1. MANUFACTURED TO ASTM C-478 (LATEST REVISION).
2. CONCRETE 5,000 PSI AT 28 DAYS.
3. WEIGHT: 10,015 LBS.
4. REINFORCING: TOP MAT: #4 BAR @ 18" C/C E.W.
 BOTTOM MAT: #5 BAR @ 12" C/C E.W.
 PER ASTM A615 (GRADE 60)



PLAN VIEW



FRONT VIEW

Coating (Int): Coating (Ext):	Seam Up: Flat Seam Dn: Groove	Wall Thickness: 9"	Height (Ext): 17"	Weight (Net): 10015 lb Volume (Net): 2.56cu.yd
----------------------------------	----------------------------------	--------------------	-------------------	---

Job Name: 26-2037 830068 Marketplace	Plant: Beaver Dam	Tech: S. Felletter	
Job Location: Georgetown, KY	4/24/2026 2:06:47 PM	PC: S. Goff	
Contractor: Contech Engineering Solutions			

Structure ID: 20-CS-8

P3 MH096RS36

MH RISER T/G

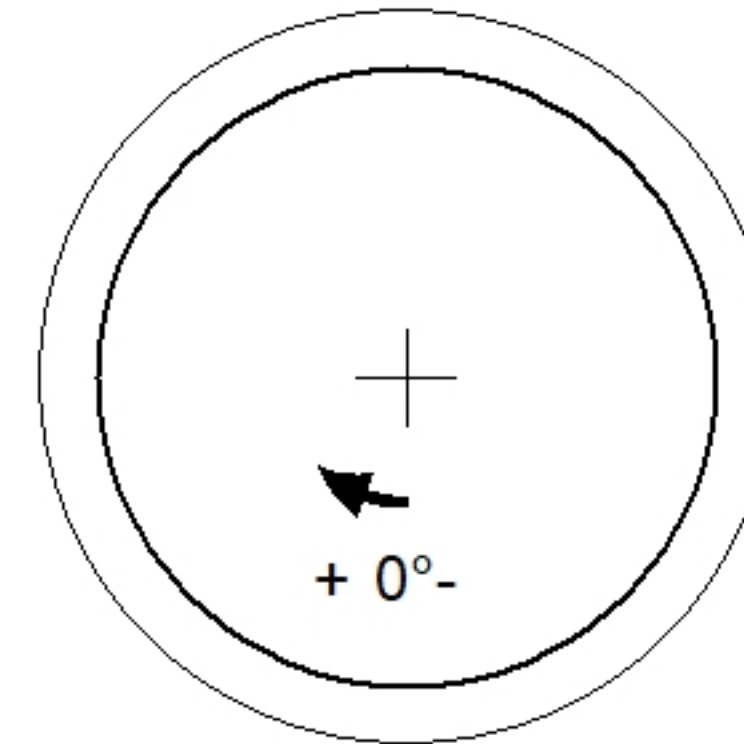
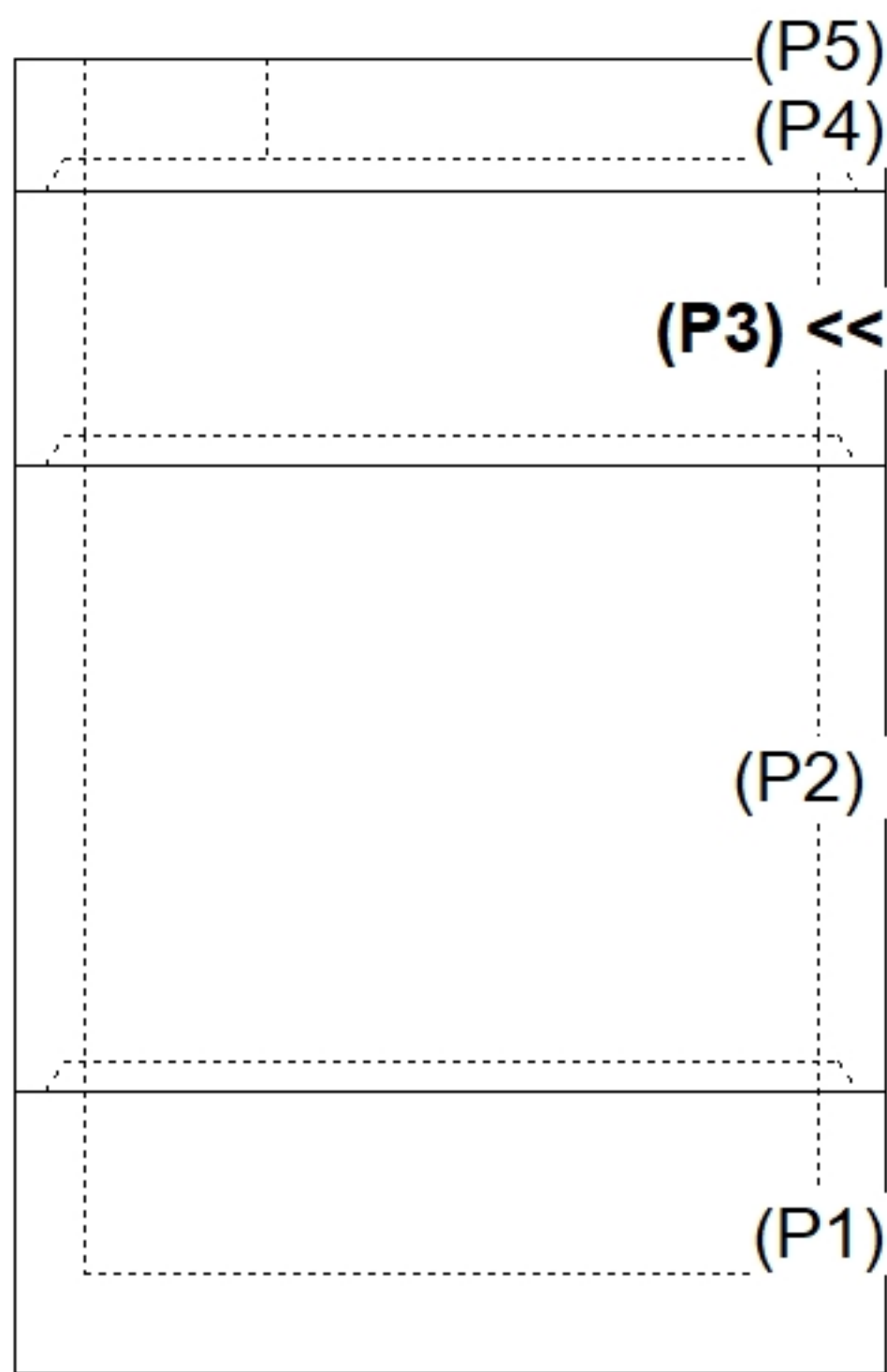
P5) 24" - CASTING HEIGHT - 0"	0 lb
P4) 96" - MH FLAT TOP SPEC. (2 - 24"ø F&G) F/G - 17"	10017 lb
P3) 96" - MH RISER T/G - 36"	8968 lb
P2) 96" - MH RISER Custom Ht T/G - 82"	19728 lb
P1) 96" - MH MONOBASE 13F, Custom Ht T/n - 24"	17113 lb
1) CVSTENCILING	0 lb
1) ASSEMBLY REQUIRED	0 lb
3) 96" - Conseal CS-102 1.00"	0 lb
2) Hole - 24"	0 lb
Structure Total:	55826 lb

Structure Notes:
 4" CASTING BY OTHERS
 CASTING FRAMES TO BE CAST INTO TOP SLAB
 LIFTING ANCHORS TO BE INSTALLED ON THE OUTSIDE OF THE STRUCTURE
 ICAST TO INSTALL THE INTERNALS
 CONTECH'S LOGO AS WELL AS THE INLET AND OUTLET MUST BE STENCILED ONTO THE STRUCTURE

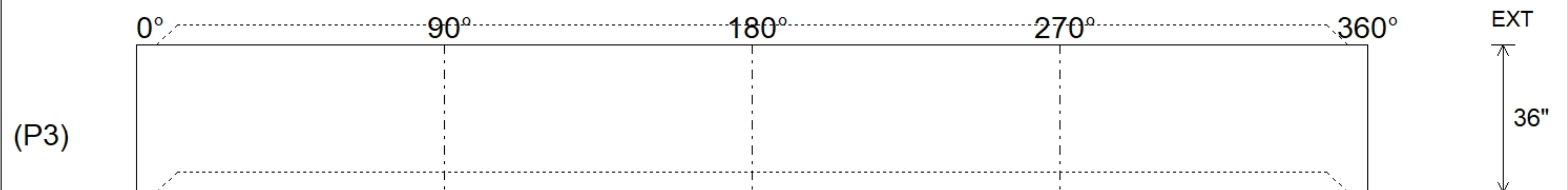
Rim: 802.25' Rim to Invert: 6.4' Slack: -0.156" Sump: 82.044" Step Position:

Position	Elev	Angle	Ext. (cw)	Pipe	Pipe OD	Connector	Hole	Horz Size	Up (L)	Offset
Invert 1										
Invert 2										
Invert 3										
Invert 4										
Invert 5										
Invert 6										
Invert 7										
Invert 8										

RIGHT-SIDE UP VIEW (int. dimensions)



INSIDE WALL DIMENSIONS



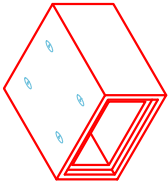
Coating (Int):	Seam Up: Tongue	Wall Thickness: 9"	Height (Int): 36"	Weight (Net): 8968 lb
Coating (Ext):	Seam Dn: Groove	Floor Height: 0"	Height (Ext): 36"	Volume (Net): 2.29cu.yd



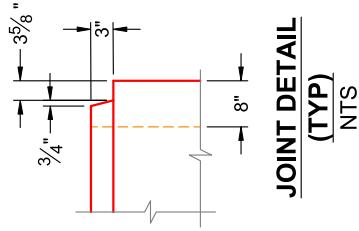
Structure ID: BC 4 x 2 (PC 4)

P1 BC048024-08WLF

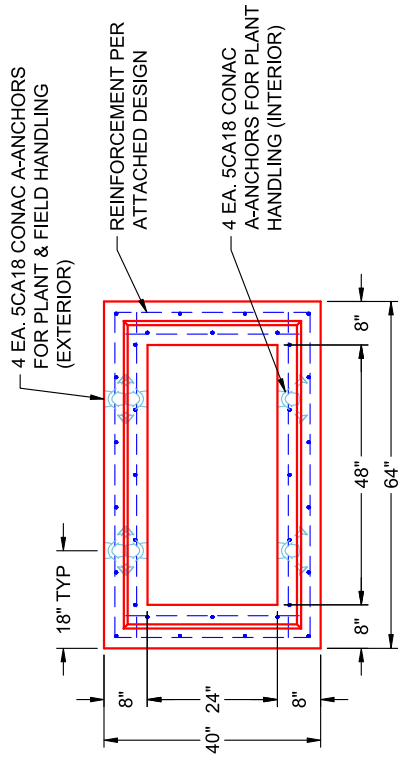
BOX CULVERT (08W/08F/08T) No Haunch G/T



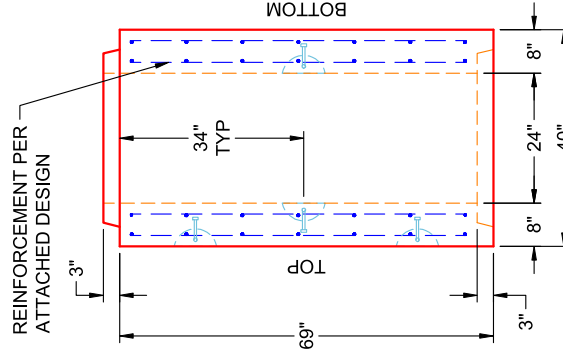
COMPONENT ISOMETRIC VIEW



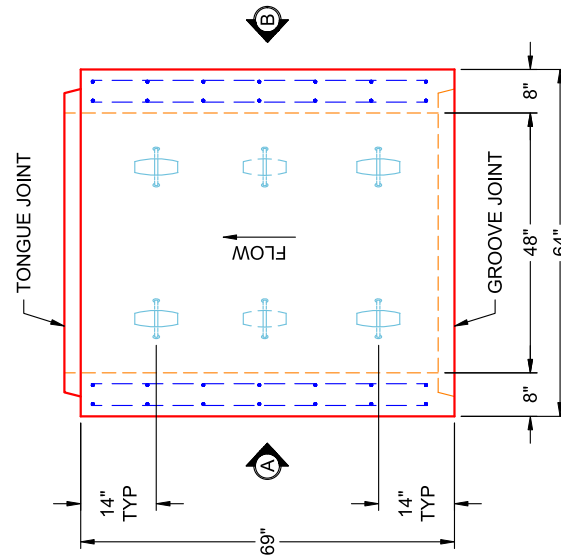
JOINT DETAIL (TYP) NTS



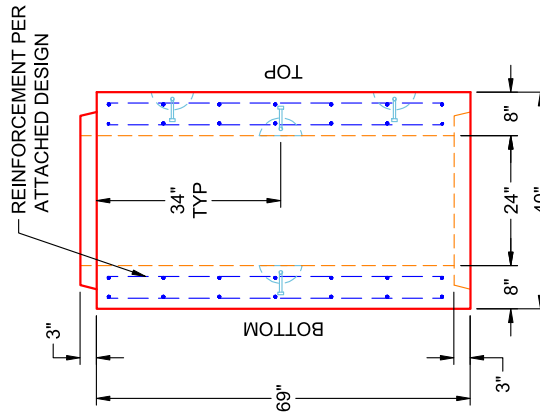
END VIEW TYPICAL



VIEW B PC 4 (UPRIGHT IN MOLD)



PLAN VIEW PC 4 (UPRIGHT IN MOLD)



VIEW A PC 4 (UPRIGHT IN MOLD)

- GENERAL NOTES:**
- MANUFACTURED TO ASTM C-1577 & SECTION 714 OF INDOT STANDARD SPECIFICATIONS FOR REINFORCED CONCRETE BOX STRUCTURES
 - LOAD REQUIREMENTS: HL93
 - REINFORCEMENT PER ATTACHED DESIGN
 - COVER DEPTH: 4'-8"
 - CONCRETE: 5,000 PSI AT 28 DAYS
 - JOINT SEALANT: 1" BUTYL MASTIC (CS-102) EXTERIOR JOINT WRAP: 12" WIDE (CS-212)
 - WEIGHT: 4' X 2' (48" X 24") RCBC = 1,418 LBS / LF (69" LONG SECTION = 8,152 LBS)

INFRASTRUCTURE PRECAST (ICAST)

Sht _____ of _____
 By: J. Horsley
 Ck: _____
 5/11/2026 4:10:17 PM
 p. 1 of 3

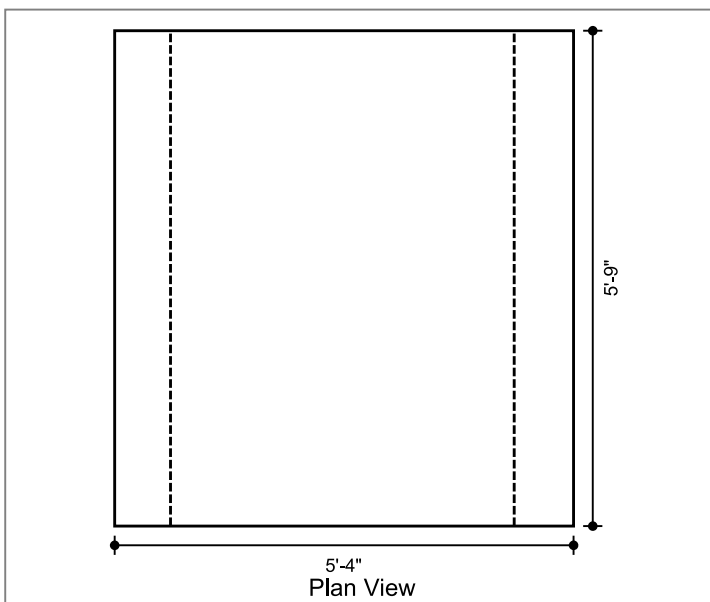
Project : Alcoa Outfall
 Task :
 Job No. : 25-2073

Client: Bowen Engineering Co
 File: 4x2 BC Four Sided (no haunch) - 25-2073 Alcoa Outfall

Spec.: LRFD 9th ed.
 Type of Culvert: Precast

Physical Dimensions

Clear Span: 4'-0"
 Clear Height: 2'-0"
 Top Slab: 8"
 Bottom Slab: 8"
 Ext. Wall: 8"
 Fill Depth Range
 Maximum: 7.99 ft
 Minimum: 4.00 ft
 Increment: 0.50 ft
 Length: 5'-9"
 Skew Angle: 0.00 deg
 Bottom Slab Support: Full Slab
 Top Haunch, Width: 0"
 Top Haunch, Height: 0"
 Bottom Haunch, Width: 0"
 Bottom Haunch, Height: 0"



Material Properties

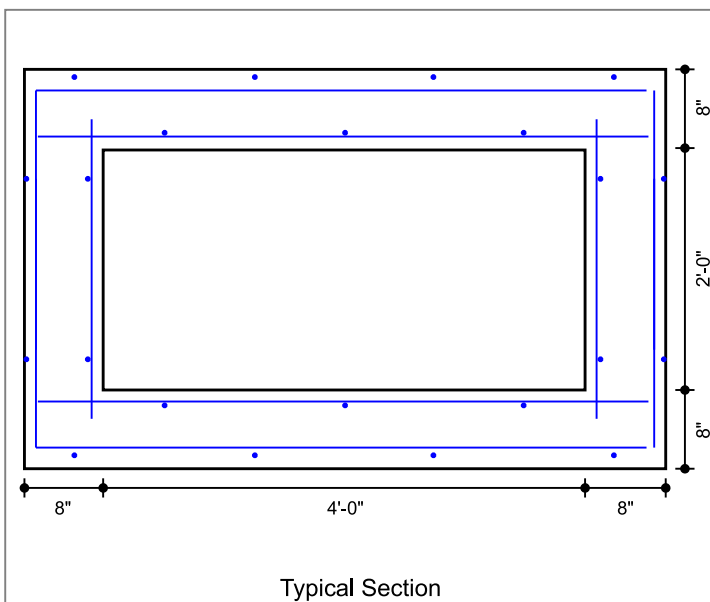
Concrete
 Strength, f_c: 5.000 ksi
 Density: 0.150 kcf
 Elasticity, E_c: 3834 ksi
 Type: Normal wt

Steel
 Yield, f_y: 60 ksi
 Allow Stress: 36 ksi
 Elasticity, E_s: 29000 ksi

Soil
 Density: 0.120 kcf

Exposure Factor
 Class 2 Exposure

Reinforcement Covers
 Ext. Cover Top Slab: 2"
 Ext. Cover Bottom Slab: 1"
 Ext. Cover Walls: 1"
 Int. Cover Walls: 1"
 Int. Cover Top Slab: 1"
 Int. Cover Bottom Slab: 1"



Controlling Ratings

Inventory Rating: NaN
 Operating Rating: NaN

Loads

Live Load
 Vehicle Names: HL-93
 Traffic Direction: Parallel
 Eq. Height of Soil: Calculated

Dead Load
 Future Wearing Surface: 0.000 klf
 Additional Dead Load: 0.000 klf
 Concentrated Loads: none

Lateral Soil Loads
 Eq. Fluid Press. Max: 60.00 pcf
 Eq. Fluid Press. Min: 30.00 pcf

Interior Water Pressure: yes, head pressure = 0 ft
 Exterior Water Pressure: no

INFRASTRUCTURE PRECAST (ICAST)

Sht _____ of _____

By: J. Horsley

Ck: _____

5/11/2026 4:10:17 PM

etc of 3

Project : Alcoa Outfall

Task :

Client: Bowen Engineering Co

Job No. : 25-2073

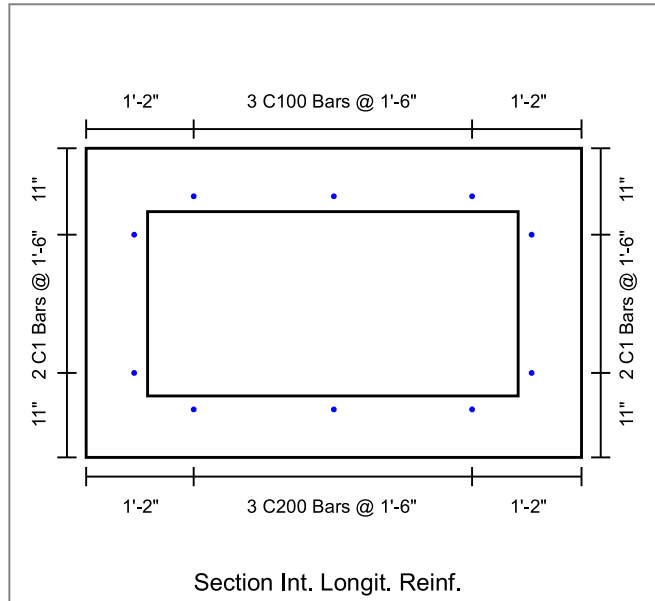
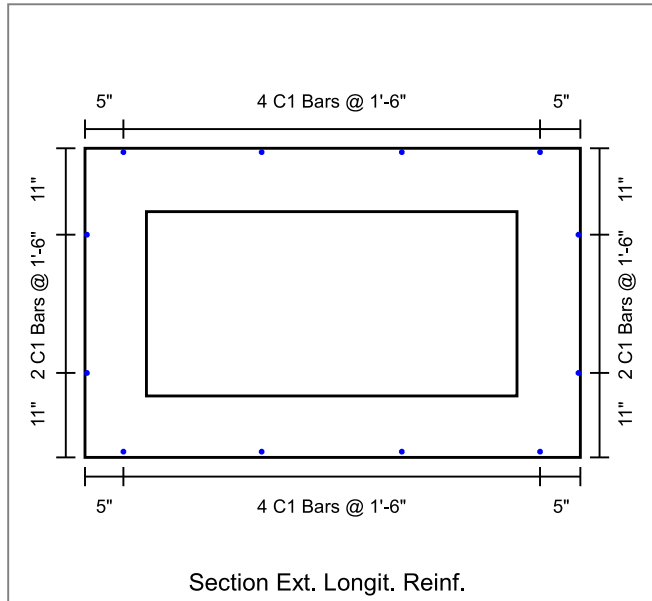
File: 4x2 BC Four Sided (no haunch) - 25-2073 Alcoa Outfall

Concrete Summary

Volume of Concrete: 0.362 cy/ft Total Volume of Concrete: 2.082 cy

Reinforcing Steel Bar Schedule (lb)

Location	Mark	Qty	Size	Spacing	Type	Length	Center	Ver.Leg	Tot.Weight
Top Slab(Int)	A100 (AS2)	6	4	1'-0"	S	5'-1"	--	--	20.0
Bot Slab(Int)	A200 (AS3)	6	4	1'-0"	S	5'-1"	--	--	20.0
Corner(Top)	A1 (AS1)	6	4	1'-0"	U	9'-5"	5'-1"	2'-2"	38.0
Corner(Bot)	A2 (AS1)	6	4	1'-0"	U	9'-7"	5'-1"	2'-3"	38.0
Wall(Int)	B1 (AS4)	12	4	1'-0"	S	2'-6"	--	--	20.0
Longit. Top (Int)	C100 (AS5)	3	3	1'-6"	S	5'-8"	--	--	6.0
Longit. Bot (Int)	C200	3	3	1'-6"	S	5'-8"	--	--	6.0
Longit. Top (Ext)	C1 (AS6)	4	3	1'-6"	S	5'-8"	--	--	8.6
Longit. Bot (Ext)	C1 (AS6)	4	3	1'-6"	S	5'-8"	--	--	8.6
Longit. Wall (Ext)	C1 (AS6)	4	3	1'-6"	S	5'-8"	--	--	8.6
Longit. Wall (Int)	C1 (AS6)	4	3	1'-6"	S	5'-8"	--	--	8.6
									182



INFRASTRUCTURE PRECAST (ICAST)

Sht _____ of _____

By: J. Horsley

Ck: _____

5/11/2026 4:10:17 PM

Project : Alcoa Outfall

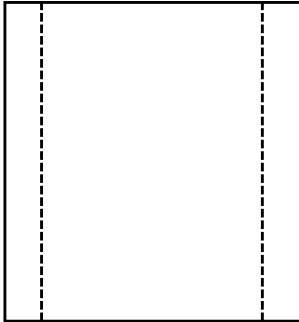
Client: Bowen Engineering Co

Task :

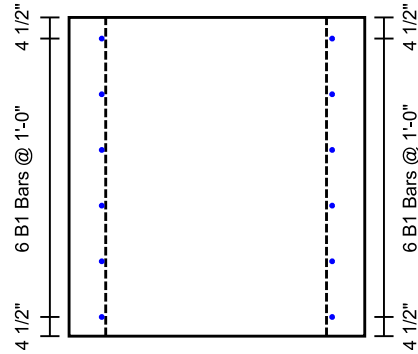
File: 4x2 BC Four Sided (no haunch) - 25-2073 Alcoa Outfall

Job No. : 25-2073

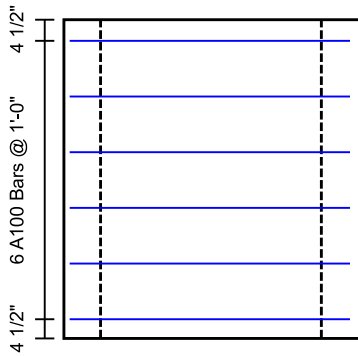
Sheet 3 of 3



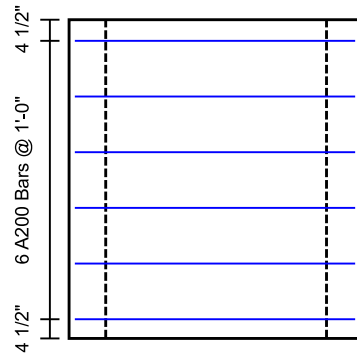
Ext. Wall Reinf.



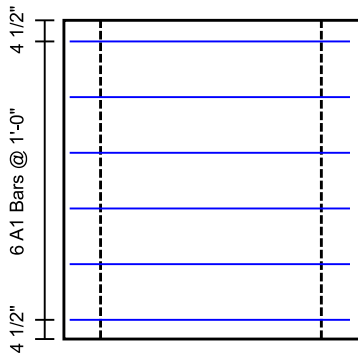
Int. Wall Reinf.



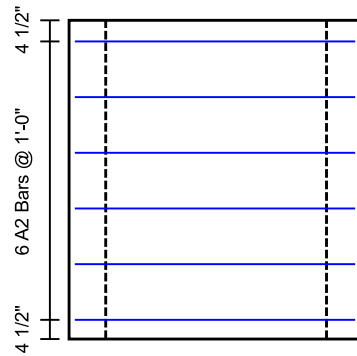
Top Slab Int. Reinf.



Bottom Slab Int. Reinf.



Top Slab Corner Reinf.



Bottom Slab Corner Reinf.

Job Name: 25-2952 - KYTC Jefferson Co Call 106 (251315)	Plant: 100	Tech: J. Horsley - A	
Job Location: Indiana, KY Contractor: Louisville Paving and Construction	5/12/2026 12:59:26 PM	PC: J. Jarvis	

Structure ID: 124

P1 BX1818-06BA24

BOX BASE 6inW, 6inF T/n

- P3) 18" x 18" - CASTING HEIGHT - 4"
- P2) 18" x 18" - BOX RISER 6inW, Variable Ht F/G - 20"
- P1) 18" x 18" - BOX BASE 6inW, 6inF T/n - 24"
- 2) 18" x 18" - Conseal CS-102 1.00"
- 1) Hole - 16

0 lb
967 lb
1512 lb
0 lb
0 lb

Structure Total: 2479 lb

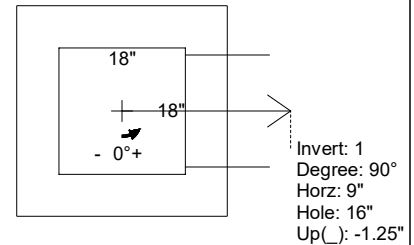
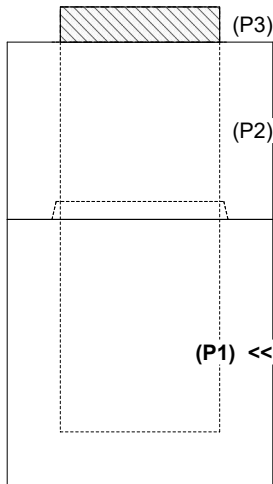
- Structure Notes:
1. PER MSD YARD DRAIN / ASTM C-913 SPECS
 2. CONCRETE: 4,000 PSI AT 28 DAYS
 3. REINFORCEMENT: #4 BAR @ 12" C.C. E.W. (GRADE 60) - 2" MIN. REBAR CLEARANCE (TYP)
 4. NO STORM INVERT
 5. NO STEPS
 6. HOE 165-A FRAME & GRATE SUPPLIED BY OTHERS

Rim: 569' Rim to Invert: 4' Slack: 0" Sump: 0" Step Position:

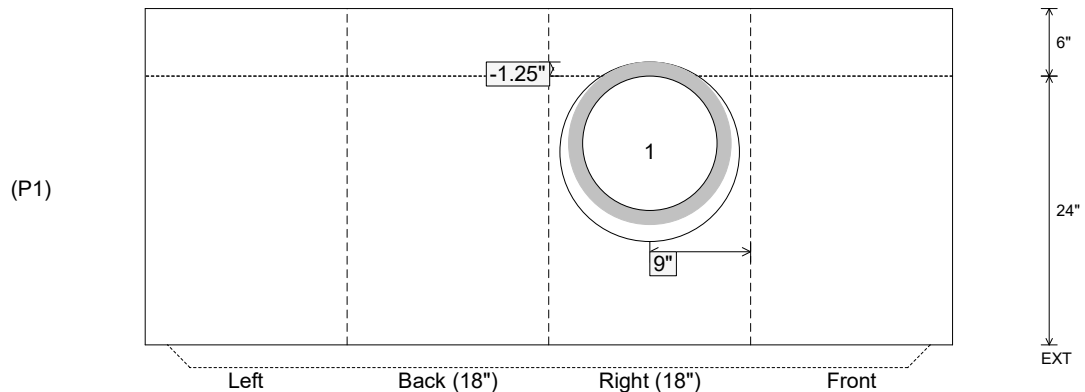
Position	Elev	Angle	Ext. (cw)	Pipe	Pipe OD	Connector	Hole	Horz Size	Up ()	Offset
Invert 1	565'	90°	15"	12" HDPE	14.5"	Hole 16	16"	16"	-1.25"	0"
Invert 2										
Invert 3										
Invert 4										
Invert 5										
Invert 6										
Invert 7										
Invert 8										

RIGHT-SIDE UP VIEW (int. dimensions)

UPSIDE-DOWN VIEW (int. dimenions)



INSIDE WALL DIMENSIONS



Coating (Int): Coating (Ext):	Seam Up: Tongue Seam Dn: n/a	Wall Thickness: 6" Floor Height: 6"	Height (Int): 24" Height (Ext): 30"	Weight (Net): 1512 lb Volume (Net): 0.39cu.yd
----------------------------------	---------------------------------	--	--	--

Job Name: 25-2952 - KYTC Jefferson Co Call 106 (251315)
 Job Location: Indiana, KY
 Contractor: Louisville Paving and Construction

Plant: 100

Tech: J. Horsley - A

5/12/2026 12:59:18 PM

PC: J. Jarvis



Structure ID: 81

P1 BX24300808VF

BOX BASE 8inW, 8inF, Variable Ht T/n

- P4) 15" x 27" - P.I.P. - BY OTHERS - 8"
- P3) 24" x 30" - CB FLAT TOP 8"W w/15"x27" HOLE F/F - 8"
- P2) 24" x 30" - BOX RISER 8inW F/G - 36"
- P1) 24" x 30" - BOX BASE 8inW, 8inF, Variable Ht T/n - 44"
- 2) 24" x 30" - Conseal CS-102 1.00"
- 1) 15" x 27" - Conseal CS-102 1.00"
- 3) Hole - 20
- 1) Hole - 18
- 2) Hole - 4

0 lb
 963 lb
 3366 lb
 4540 lb
 0 lb
 0 lb
 0 lb
 0 lb
 0 lb

 Structure Total: 8870 lb

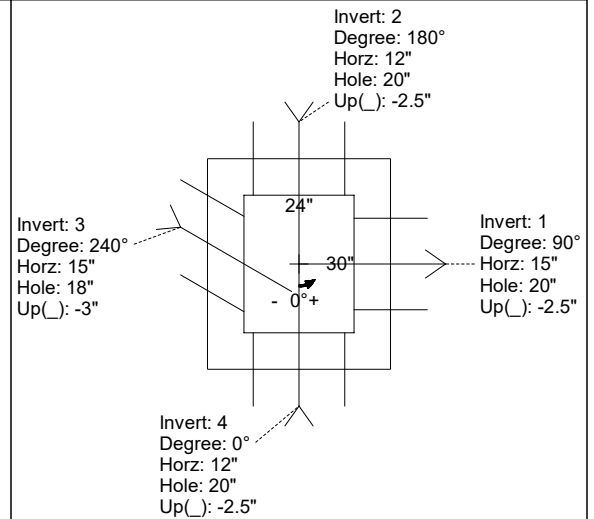
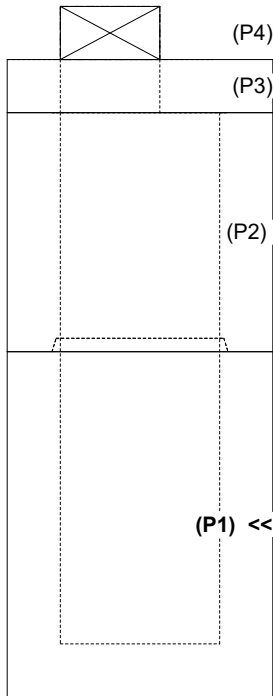
- Structure Notes:
 KYTC STATE PROJECT
 1. PER KYTC DBI TYPE 13G / ASTM C-913 SPECS
 2. CONCRETE: 4,000 PSI AT 28 DAYS
 3. REINFORCEMENT: #5 BAR @ 12" C.C. E.W. (GRADE 60) - 2" MIN. REBAR CLEARANCE (TYP)
 4. NO STORM INVERT
 5. NO STEPS
 6. HOE KY-230G FRAME & GRATE SUPPLIED BY OTHERS

Rim: 551.24' Rim to Invert: 8' Slack: 0" Sump: 0" Step Position:

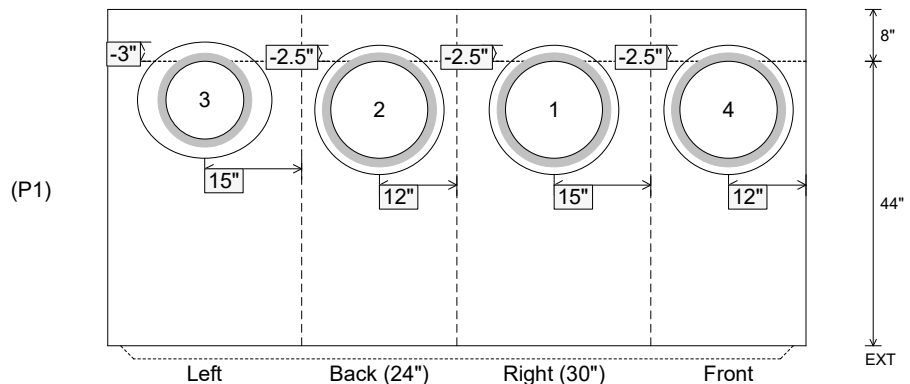
Position	Elev	Angle	Ext. (cw)	Pipe	Pipe OD	Connector	Hole	Horz Size	Up ()	Offset
Invert 1	543.24'	90°	23"	15" HDPE	17.6"	Hole 20	20"	20"	-2.5"	0"
Invert 2	543.24'	180°	20"	15" HDPE	17.6"	Hole 20	20"	20"	-2.5"	0"
Invert 3	543.24'	240°	18.375"	12" HDPE	14.5"	Hole 18	18"	20.785"	-3"	6"
Invert 4	543.24'	0°	20"	15" HDPE	17.6"	Hole 20	20"	20"	-2.5"	0"
Invert 5										
Invert 6										
Invert 7										
Invert 8										

RIGHT-SIDE UP VIEW (int. dimensions)

UPSIDE-DOWN VIEW (int. dimensions)



INSIDE WALL DIMENSIONS



Coating (Int):
 Coating (Ext):

Seam Up: Tongue
 Seam Dn: n/a

Wall Thickness: 8"
 Floor Height: 8"

Height (Int): 44"
 Height (Ext): 52"

Weight (Net): 4540 lb
 Volume (Net): 1.16cu.yd

Job Name: 25-3310 - Mammoth Cave NP-MACA 12
 Job Location: Mammoth Cave , KY
 Contractor: Phillips Brothers

Plant: 100
 5/5/2026 5:08:10 PM

Tech: J. Horsley - F
 PC: C. Goff



Structure ID: CB20

P1 BX3048-08W08F-BAVF

BOX BASE 8inW, 8inF, Variable Ht F/n

- P2) 30" x 48" - CASTING HEIGHT - 8"
- P1) 30" x 48" - BOX BASE 8inW, 8inF, Variable Ht - 39"
- 1) SECONDARY POUR - WALLS
- 1) 30" x 48" - Conseal CS-102 1.00"
- 2) Hole - 26
- 2) Hole - 22

0 lb
 5636 lb
 0 lb
 0 lb
 0 lb
 0 lb
 0 lb
 Structure Total: 5636 lb

Structure Notes:
 1. PER ASTM C913 SPECIFICATIONS.
 2. CONCRETE = 4,000 PSI AT 28 DAYS.
 3. NO INVERT CHANNEL.
 4. CASTING SUPPLIED BY OTHERS -NEENAH R-3287-15

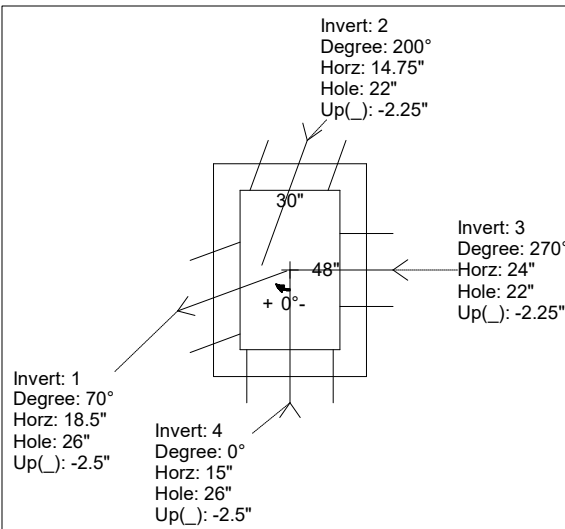
REINFORCING PER ASTM A615 (GRADE 60).
 - WALLS (As .12) #5 BARS AT 6" C.C.E.W.
 - FLOOR (As .12) #5 BARS AT 6" C.C.E.W.

Rim: 739.23' Rim to Invert: 3.96' Slack: 0.52' Sump: 0" Step Position:

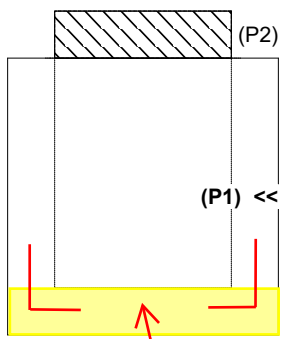
Position	Elev	Angle	Ext. (cw)	Pipe	Pipe OD	Connector	Hole	Horz Size	Up ()	Offset
Invert 1	735.27'	70°	23.625"	18" RCP B WALL	23"	Hole 26	26"	27.669"	-2.5"	0"
Invert 2	735.27'	200°	25.625"	15" RCP B WALL	19.5"	Hole 22	22"	23.412"	-2.25"	-8.481"
Invert 3	735.27'	270°	32"	15" RCP B WALL	19.5"	Hole 22	22"	22"	-2.25"	0"
Invert 4	735.27'	0°	23"	18" RCP B WALL	23"	Hole 26	26"	26"	-2.5"	0"
Invert 5										
Invert 6										
Invert 7										
Invert 8										

RIGHT-SIDE UP VIEW (int. dimensions)

UPSIDE-DOWN VIEW (int. dimensions)

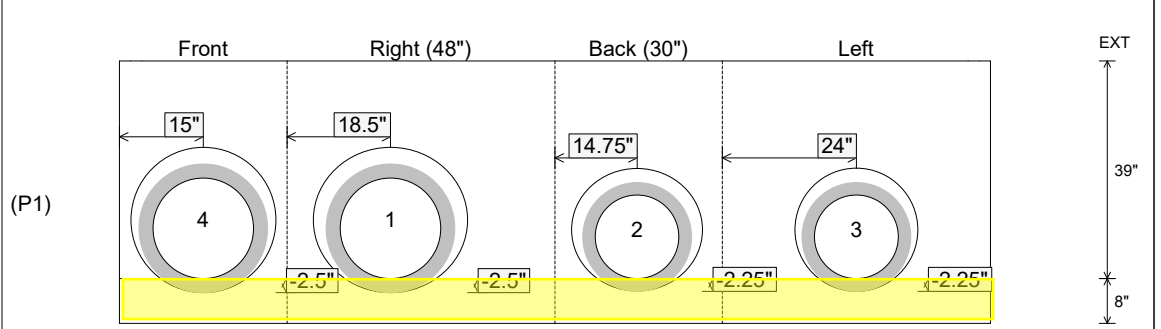


**1ST POUR (FLOOR) = 1,976 LBS
 2ND POUR (WALLS) = 3,660 LBS**



**1ST POUR (FLOOR)
 STUB #5 L BARS OUT
 TOP FLOOR, SPA AT
 12" C/C FOR
 CONNECTING WALLS**

INSIDE WALL DIMENSIONS



Coating (Int): Coating (Ext):	Seam Up: Flat Seam Dn: n/a	Wall Thickness: 8" Floor Height: 8"	Height (Int): 39" Height (Ext): 47"	Weight (Net): 5636 lb Volume (Net): 1.44cu.yd
----------------------------------	-------------------------------	--	--	--

Job Name: 25-3310 - Mammoth Cave NP-MACA 12
 Job Location: Mammoth Cave , KY
 Contractor: Phillips Brothers

Plant: 100
 5/5/2026 5:08:10 PM

Tech: J. Horsley - F
 PC: C. Goff



Structure ID: CB20

P1 BX3048-08W08F-BAVF

BOX BASE 8inW, 8inF, Variable Ht F/n

- P2) 30" x 48" - CASTING HEIGHT - 8"
- P1) 30" x 48" - BOX BASE 8inW, 8inF, Variable Ht - 39"
- 1) SECONDARY POUR - WALLS
- 1) 30" x 48" - Conseal CS-102 1.00"
- 2) Hole - 26
- 2) Hole - 22

0 lb
 5636 lb
 0 lb
 0 lb
 0 lb
 0 lb
 0 lb
 Structure Total: 5636 lb

Structure Notes:
 1. PER ASTM C913 SPECIFICATIONS.
 2. CONCRETE = 4,000 PSI AT 28 DAYS.
 3. NO INVERT CHANNEL.
 4. CASTING SUPPLIED BY OTHERS -NEENAH R-3287-15

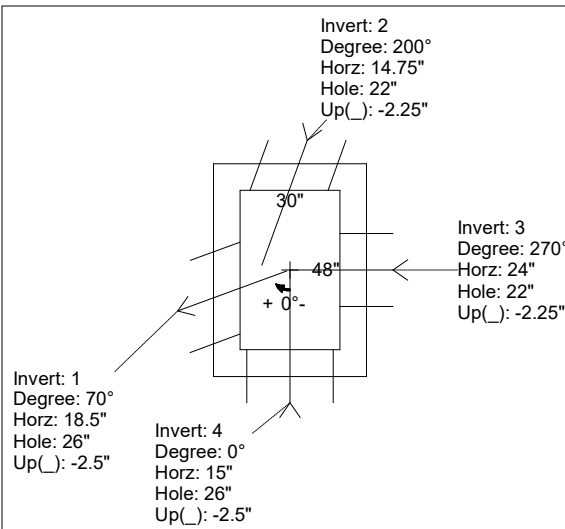
REINFORCING PER ASTM A615 (GRADE 60).
 - WALLS (As .12) #5 BARS AT 6" C.C.E.W.
 - FLOOR (As .12) #5 BARS AT 6" C.C.E.W.

Rim: 739.23' Rim to Invert: 3.96' Slack: 0.52' Sump: 0" Step Position:

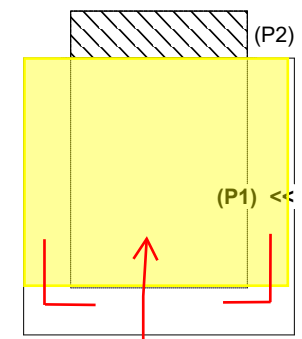
Position	Elev	Angle	Ext. (cw)	Pipe	Pipe OD	Connector	Hole	Horz Size	Up ()	Offset
Invert 1	735.27'	70°	23.625"	18" RCP B WALL	23"	Hole 26	26"	27.669"	-2.5"	0"
Invert 2	735.27'	200°	25.625"	15" RCP B WALL	19.5"	Hole 22	22"	23.412"	-2.25"	-8.481"
Invert 3	735.27'	270°	32"	15" RCP B WALL	19.5"	Hole 22	22"	22"	-2.25"	0"
Invert 4	735.27'	0°	23"	18" RCP B WALL	23"	Hole 26	26"	26"	-2.5"	0"
Invert 5										
Invert 6										
Invert 7										
Invert 8										

RIGHT-SIDE UP VIEW (int. dimensions)

UPSIDE-DOWN VIEW (int. dimensions)

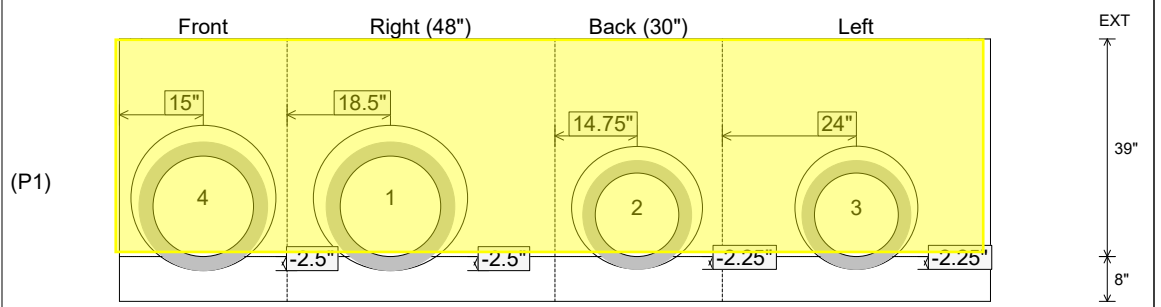


**1ST POUR (FLOOR) = 1,976 LBS
 2ND POUR (WALLS) = 3,660 LBS**



2ND POUR (WALLS)

INSIDE WALL DIMENSIONS



Coating (Int): Coating (Ext):	Seam Up: Flat Seam Dn: n/a	Wall Thickness: 8" Floor Height: 8"	Height (Int): 39" Height (Ext): 47"	Weight (Net): 5636 lb Volume (Net): 1.44cu.yd
----------------------------------	-------------------------------	--	--	--

Job Name: 25-3310 - Mammoth Cave NP-MACA 12
 Job Location: Mammoth Cave , KY
 Contractor: Phillips Brothers

Plant: 100
 5/5/2026 5:08:10 PM

Tech: J. Horsley - F
 PC: C. Goff



Structure ID: CB19

P1 BX3048-08W08F-BAVF

BOX BASE 8inW, 8inF, Variable Ht F/n

- P2) 30" x 48" - CASTING HEIGHT - 8"
- P1) 30" x 48" - BOX BASE 8inW, 8inF, Variable Ht - 39"
- 1) SECONDARY POUR - WALLS
- 1) 30" x 48" - Conseal CS-102 1.00"
- 1) Hole - 26
- 1) Hole - 22

0 lb
 6287 lb
 0 lb
 0 lb
 0 lb
 0 lb
 0 lb

 Structure Total: 6287 lb

Structure Notes:
 1. PER ASTM C913 SPECIFICATIONS.
 2. CONCRETE = 4,000 PSI AT 28 DAYS.
 3. NO INVERT CHANNEL.
 4. CASTING SUPPLIED BY OTHERS - NEENAH R-3287-15

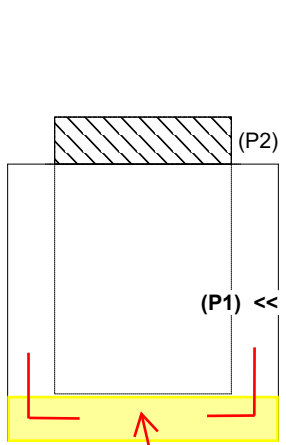
REINFORCING PER ASTM A615 (GRADE 60).
 - WALLS (As .12) #5 BARS AT 6" C.C.E.W.
 - FLOOR (As .12) #5 BARS AT 6" C.C.E.W.

Rim: 740.57' Rim to Invert: 3.96' Slack: 0.52' Sump: 0' Step Position:

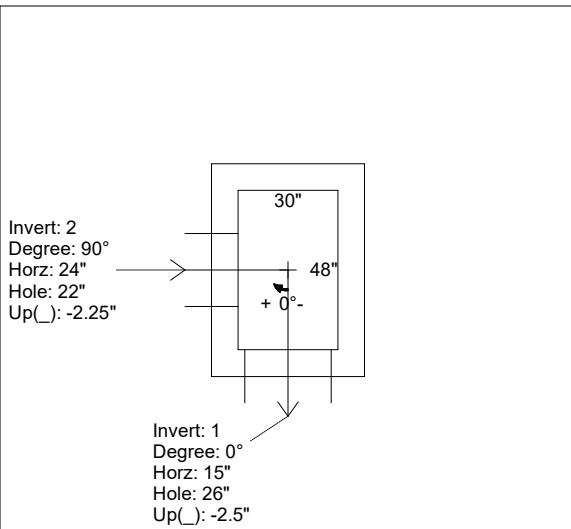
Position	Elev	Angle	Ext. (cw)	Pipe	Pipe OD	Connector	Hole	Horz Size	Up ()	Offset
Invert 1	736.61'	0°	23"	18" RCP B WALL	23"	Hole 26	26"	26"	-2.5"	0"
Invert 2	736.61'	90°	32"	15" RCP B WALL	19.5"	Hole 22	22"	22"	-2.25"	0"
Invert 3										
Invert 4										
Invert 5										
Invert 6										
Invert 7										
Invert 8										

RIGHT-SIDE UP VIEW (int. dimensions)

UPSIDE-DOWN VIEW (int. dimenions)

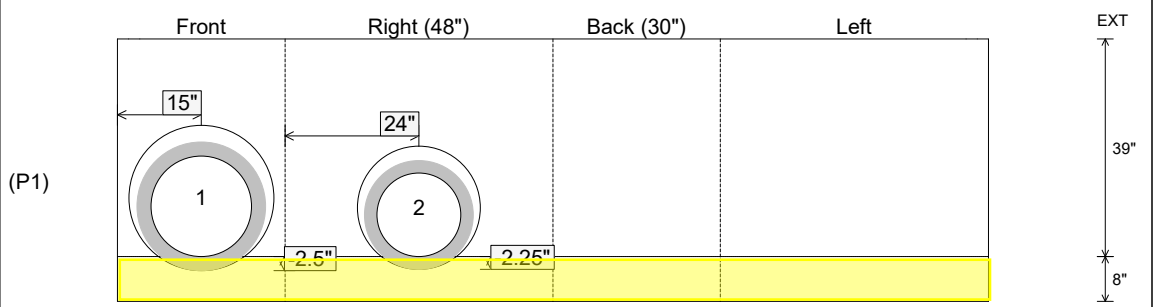


**1ST POUR (FLOOR) = 1,976 LBS
 2ND POUR (WALLS) = 4,311 LBS**



**1ST POUR (FLOOR)
 STUB #5 L BARS OUT
 TOP FLOOR, SPA AT
 12" C/C FOR
 CONNECTING WALLS**

INSIDE WALL DIMENSIONS



Coating (Int): Coating (Ext):	Seam Up: Flat Seam Dn: n/a	Wall Thickness: 8" Floor Height: 8"	Height (Int): 39" Height (Ext): 47"	Weight (Net): 6287 lb Volume (Net): 1.61cu.yd
----------------------------------	-------------------------------	--	--	--

Job Name: 25-3310 - Mammoth Cave NP-MACA 12
 Job Location: Mammoth Cave , KY
 Contractor: Phillips Brothers

Plant: 100
 5/5/2026 5:08:10 PM

Tech: J. Horsley - F
 PC: C. Goff



Structure ID: CB19

P1 BX3048-08W08F-BAVF

BOX BASE 8inW, 8inF, Variable Ht F/n

- P2) 30" x 48" - CASTING HEIGHT - 8"
- P1) 30" x 48" - BOX BASE 8inW, 8inF, Variable Ht - 39"
- 1) SECONDARY POUR - WALLS
- 1) 30" x 48" - Conseal CS-102 1.00"
- 1) Hole - 26
- 1) Hole - 22

0 lb
 6287 lb
 0 lb
 0 lb
 0 lb
 0 lb

 Structure Total: 6287 lb

Structure Notes:
 1. PER ASTM C913 SPECIFICATIONS.
 2. CONCRETE = 4,000 PSI AT 28 DAYS.
 3. NO INVERT CHANNEL.
 4. CASTING SUPPLIED BY OTHERS - NEENAH R-3287-15

REINFORCING PER ASTM A615 (GRADE 60).
 - WALLS (As .12) #5 BARS AT 6" C.C.E.W.
 - FLOOR (As .12) #5 BARS AT 6" C.C.E.W.

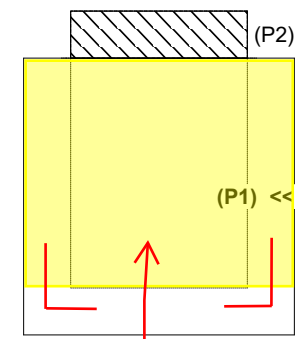
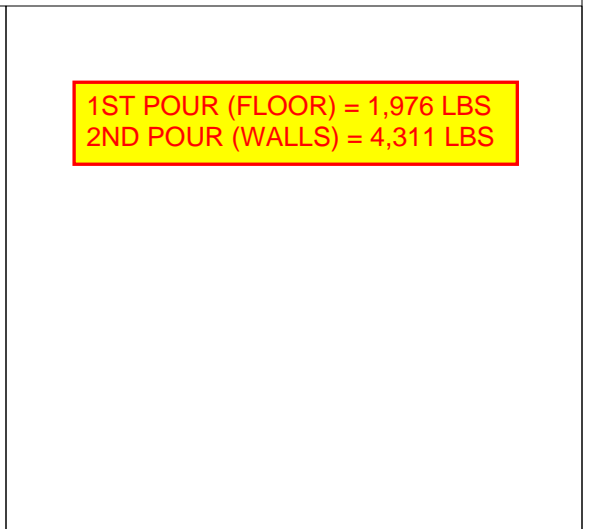
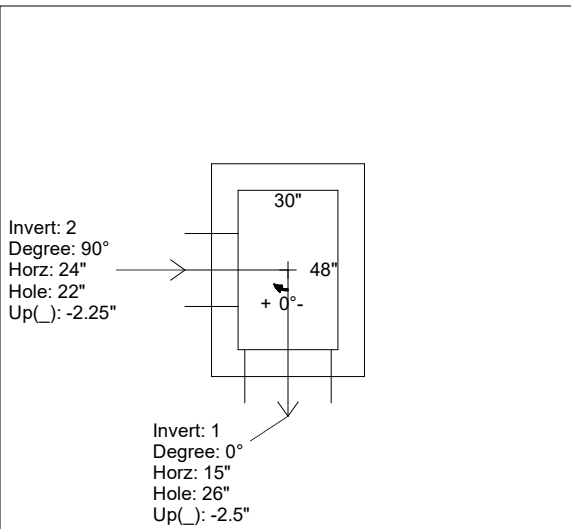
Rim: 740.57' Rim to Invert: 3.96' Slack: 0.52" Sump: 0" Step Position:

Position	Elev	Angle	Ext. (cw)	Pipe	Pipe OD	Connector	Hole	Horz Size	Up ()	Offset
Invert 1	736.61'	0°	23"	18" RCP B WALL	23"	Hole 26	26"	26"	-2.5"	0"
Invert 2	736.61'	90°	32"	15" RCP B WALL	19.5"	Hole 22	22"	22"	-2.25"	0"
Invert 3										
Invert 4										
Invert 5										
Invert 6										
Invert 7										
Invert 8										

RIGHT-SIDE UP VIEW (int. dimensions)

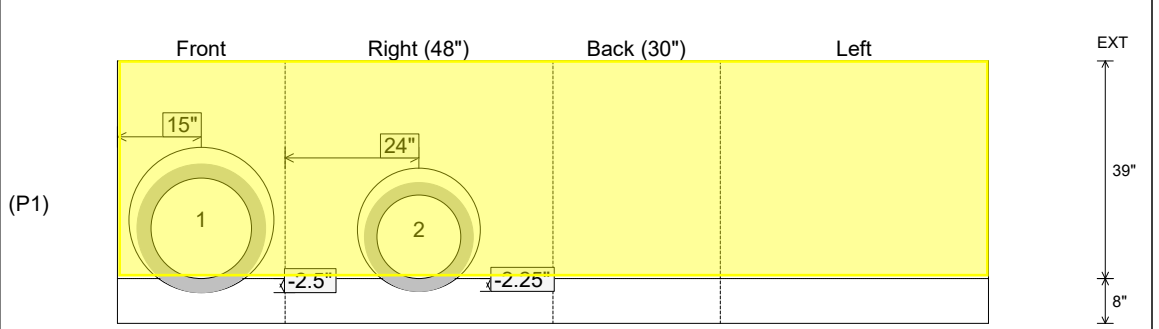
UPSIDE-DOWN VIEW (int. dimenions)

**1ST POUR (FLOOR) = 1,976 LBS
 2ND POUR (WALLS) = 4,311 LBS**



2ND POUR (WALLS)

INSIDE WALL DIMENSIONS



Coating (Int): Coating (Ext):	Seam Up: Flat Seam Dn: n/a	Wall Thickness: 8" Floor Height: 8"	Height (Int): 39" Height (Ext): 47"	Weight (Net): 6287 lb Volume (Net): 1.61cu.yd
----------------------------------	-------------------------------	--	--	--

Job Name: 25-3600 Signet FCU
 Job Location: Paducah, KY
 Contractor: Ainsworth Land Development, LLC

Plant: Beaver Dam
 5/8/2026 8:06:22 AM

Tech: S. Felletter
 PC: T. Lewis



Structure ID: JB1

P1 BX2424-08BAVF

BOX BASE 8inW, 8inF, Variable Ht F/n

- P3) CASTING (cast in) - 0
- P2) 24" x 24" - BX FLAT LID 8inW SPEC. (KY JB-B1) F/F - 8"
- P1) 24" x 24" - BOX BASE 8inW, 8inF, Variable Ht F/n - 41"
- 1) CASTING - HOE KY-206 F/C (KY TY1)
- 1) This Structure Includes a Cast-in Item
- 1) 24" x 24" - SGL 1"x14.5' Butyl
- 2) Hole - 18
- 1) Hole - 20

0 lb
 770 lb
 3997 lb
 206 lb
 0 lb
 0 lb
 0 lb
 0 lb
 0 lb

Structure Total: 4973 lb

Structure Notes:
 1. KYTC JUNCTION BOX B1 / PER ASTM C913 SPEC'S.
 2. CONCRETE = 4,000 PSI AT 28 DAYS.
 3. TOP SLAB w KYTC TYPE 1 F/C CAST FLUSH (HOE KY-206 F/C).

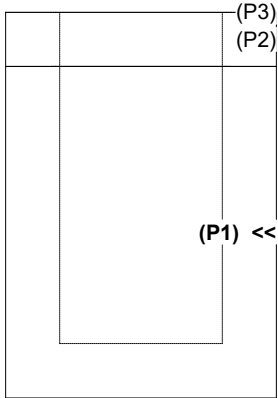
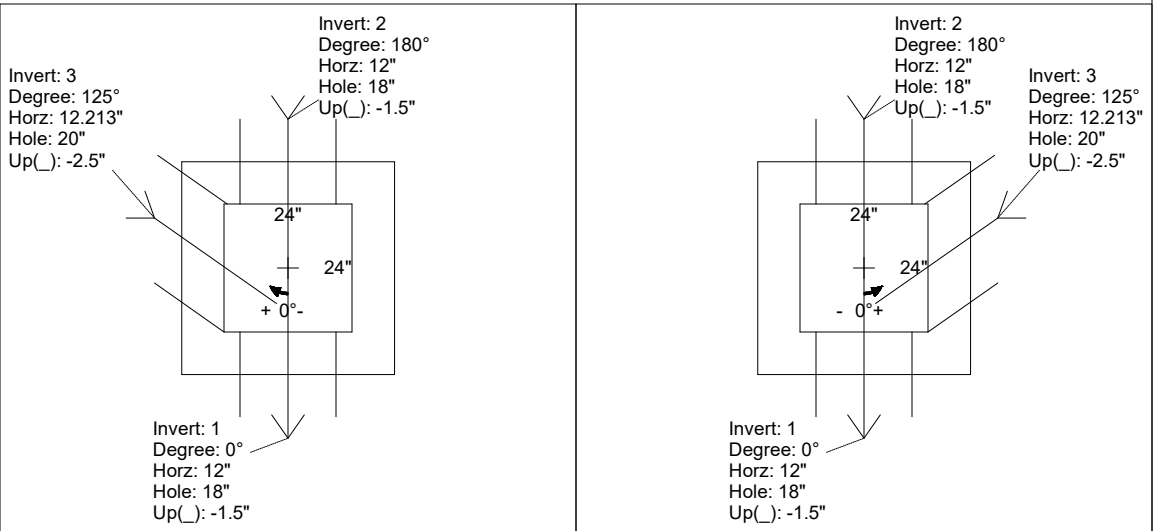
REINFORCING PER ASTM A615 (GRADE 60).
 - TOP SLAB (As. 62) #5 BARS AT 6" C.C.E.W.
 - WALLS (As .31) #5 BARS AT 12" C.C.E.W.
 - FLOOR (As .31) #5 BARS AT 12: C.C.E.W.

Rim: 337.35' Rim to Invert: 4.15' Slack: 0.8" Sump: 0" Step Position:

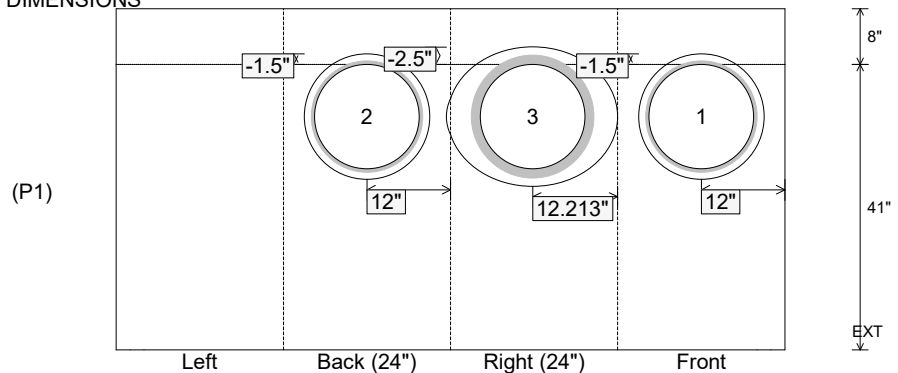
Position	Elev	Angle	Ext. (cw)	Pipe	Pipe OD	Connector	Hole	Horz Size	Up ()	Offset
Invert 1	333.2'	0°	20"	15" CMP	16"	Hole 18	18"	18"	-1.5"	0"
Invert 2	333.2'	180°	20"	15" CMP	16"	Hole 18	18"	18"	-1.5"	0"
Invert 3	333.2'	125°	25.814"	15" HDPE	17.6"	Hole 20	20"	23.995", 0.6"	-2.5"	-6.709"
Invert 4										
Invert 5										
Invert 6										
Invert 7										
Invert 8										

RIGHT-SIDE UP VIEW (int. dimensions)

UPSIDE-DOWN VIEW (int. dimensions)



INSIDE WALL DIMENSIONS



Coating (Int):
 Coating (Ext):

Seam Up: Flat
 Seam Dn: n/a

Wall Thickness: 8"
 Floor Height: 8"

Height (Int): 41"
 Height (Ext): 49"

Weight (Net): 3997 lb
 Volume (Net): 1.02cu.yd

Job Name: 25-3600 Signet FCU
 Job Location: Paducah, KY
 Contractor: Ainsworth Land Development, LLC

Plant: Beaver Dam
 5/8/2026 12:16:02 PM

Tech: S. Felletter
 PC: T. Lewis



Structure ID: DB4

P1 BX2424-08BAVF

BOX BASE 8inW, 8inF, Variable Ht F/n

P2) 24" x 24" - CB FLAT TOP 8"W (HOE KY-215 F&G) F/F - 8"

P1) 24" x 24" - BOX BASE 8inW, 8inF, Variable Ht F/n - 29"

- 1) This Structure Includes a Cast-in Item
- 1) CASTING - HOE KY-215 F/BEEHIVE (DBI 15)
- 1) 24" x 24" - Conseal CS-102 1.00"
- 2) Hole - 20
- 1) Hole - 8

770 lb
 3137 lb
 0 lb
 317 lb
 0 lb
 0 lb
 0 lb

 Structure Total: 4224 lb

Structure Notes:

1. KYTC DBI TYPE 15 / ASTM C913 SPECIFICATIONS
2. CONCRETE = 4,000 PSI AT 28 DAYS.
3. NO INVERT CHANNEL.
4. DBI-15 F/G CAST INTO TOP SLAB (HOE KY-215 F/G BEEHIVE).

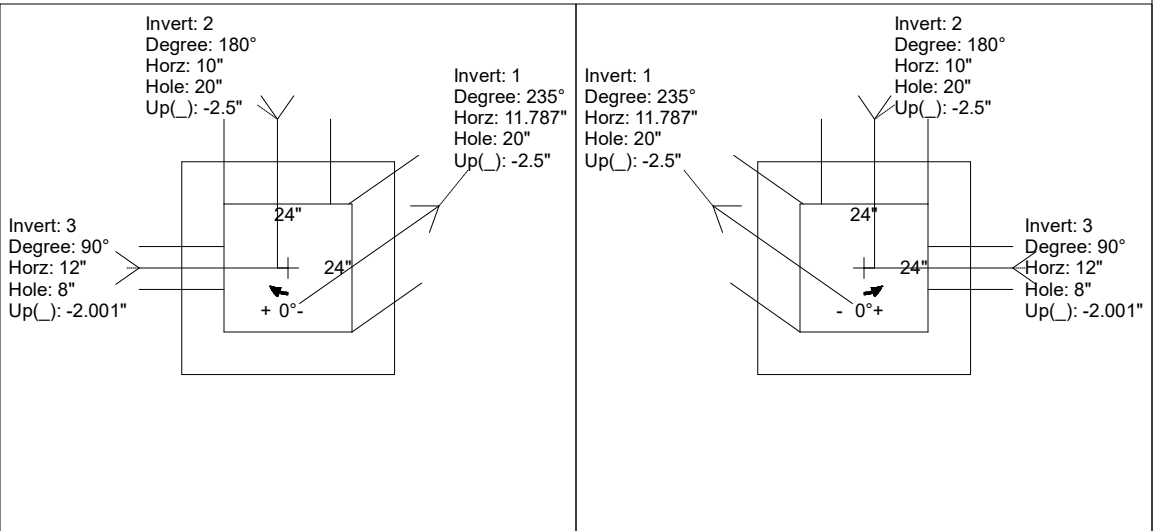
REINFORCING PER ASTM A615 (GRADE 60).
 - TOP SLAB (As .62) #5 BARS AT 6" C.C.E.W.
 - WALLS (As .31) #5 BARS AT 12" C.C.E.W.
 - FLOOR (As .31) #5 BARS AT 12" C.C.E.W.

Rim: 337.1' Rim to Invert: 3.1' Slack: 0.2" Sump: 0" Step Position:

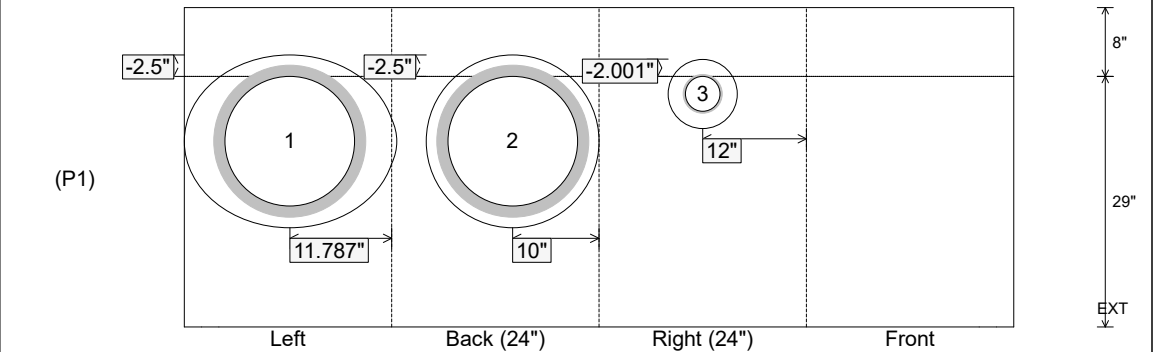
Position	Elev	Angle	Ext. (cw)	Pipe	Pipe OD	Connector	Hole	Horz Size	Up (↓)	Offset
Invert 1	334'	235°	14.186"	15" HDPE	17.6"	Hole 20	20"	23.995", 0.6"	-2.5"	6.709"
Invert 2	334'	180°	18"	15" HDPE	17.6"	Hole 20	20"	20"	-2.5"	-2"
Invert 3	334'	90°	20"	4" PVC SCH40	4.5"	Hole 8	8"	8"	-2.001"	0"
Invert 4										
Invert 5										
Invert 6										
Invert 7										
Invert 8										

RIGHT-SIDE UP VIEW (int. dimensions)

UPSIDE-DOWN VIEW (int. dimensions)



INSIDE WALL DIMENSIONS



Coating (Int):
 Coating (Ext):

Seam Up: Flat
 Seam Dn: n/a

Wall Thickness: 8"
 Floor Height: 8"

Height (Int): 29"
 Height (Ext): 37"

Weight (Net): 3137 lb
 Volume (Net): 0.8cu.yd

Job Name: 25-4299 - Seneca High School Job Location: Louisville, KY Contractor: Dan Cristiani Excavating Co. Inc.	Plant: 100 2/13/2026 10:04:54 AM	Tech: J. Horsley PC: J. Jarvis	
---	-------------------------------------	-----------------------------------	--

Structure ID: A21

P1 BX2436-08BVF

BOX BASE 8inW, 8inF, Variable Ht F/n

- P2) 24" x 36" - CASTING HEIGHT - 6"
- P1) 24" x 36" - BOX BASE 8inW, 8inF, Variable Ht F/n - 33"
- 1) 24" x 36" - Conseal CS-102 1.00"
- 2) Hole - 20"

0 lb
4328 lb
0 lb
0 lb

Structure Total: 4328 lb

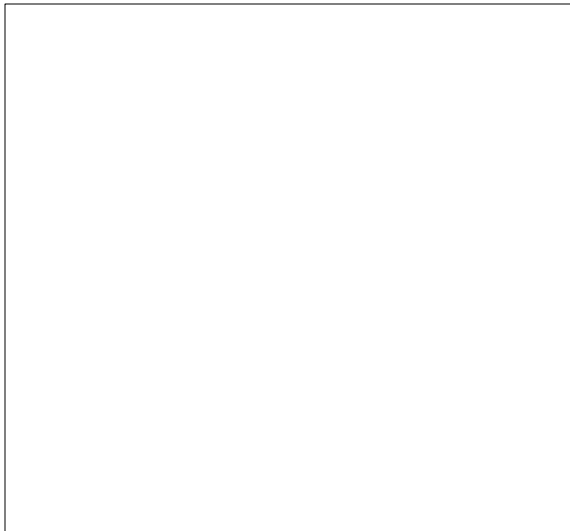
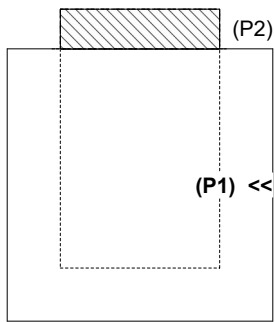
- Structure Notes:
1. PER LOUISVILLE MSD / ASTM C-913 SPECIFICATIONS
 2. CONCRETE: 4,000 PSI AT 28 DAYS
 3. REINFORCEMENT: #5 BAR @ 12" C.C. E.W. (GRADE 60) - 2" MIN. REBAR CLEARANCE (TYP)
 4. NO STORM INVERT
 5. NO STEPS
 6. HOE 470 FRAME, GRATE, & CURB HOOD SUPPLIED BY OTHERS

Rim: 484.9' Rim to Invert: 3.3' Slack: 0.6" Sump: 0" Step Position:

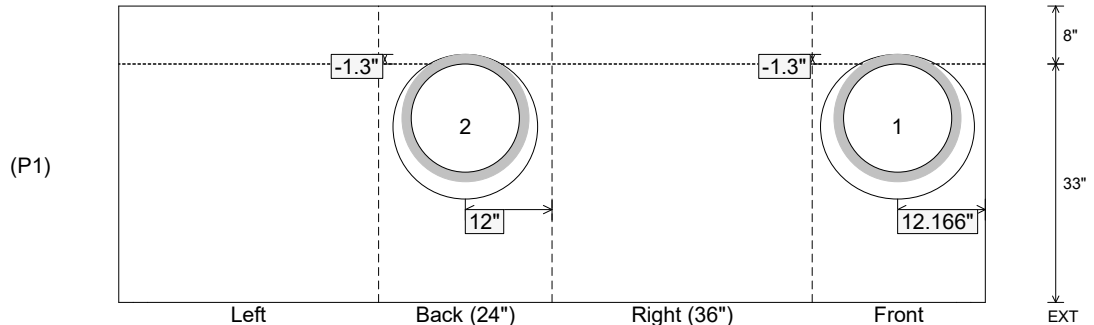
Position	Elev	Angle	Ext. (cw)	Pipe	Pipe OD	Connector	Hole	Horz Size	Up (↓)	Offset
Invert 1	481.6'	20°	23.078"	15" HDPE	17.6"	Hole 20	20"	21.284"	-1.3"	-6"
Invert 2	481.6'	180°	20"	15" HDPE	17.6"	Hole 20	20"	20"	-1.3"	0"
Invert 3										
Invert 4										
Invert 5										
Invert 6										
Invert 7										
Invert 8										

RIGHT-SIDE UP VIEW (int. dimensions)

UPSIDE-DOWN VIEW (int. dimensions)



INSIDE WALL DIMENSIONS



Coating (Int): Coating (Ext):	Seam Up: Flat Seam Dn: n/a	Wall Thickness: 8" Floor Height: 8"	Height (Int): 33" Height (Ext): 41"	Weight (Net): 4328 lb Volume (Net): 1.11cu.yd
----------------------------------	-------------------------------	--	--	--

Job Name: 25-4299 - Seneca High School
 Job Location: Louisville, KY
 Contractor: Dan Cristiani Excavating Co. Inc.

Plant: 100
 2/13/2026 10:04:52 AM

Tech: J. Horsley
 PC: J. Jarvis



Structure ID: A20

P1 BX2436-08BVF

BOX BASE 8inW, 8inF, Variable Ht F/n

P2) 24" x 36" - CASTING HEIGHT - 6"
 P1) 24" x 36" - BOX BASE 8inW, 8inF, Variable Ht F/n - 33"
 1) 24" x 36" - Conseal CS-102 1.00"
 1) Hole - 24
 1) Hole - 20

0 lb
 4156 lb
 0 lb
 0 lb
 0 lb
 Structure Total: 4156 lb

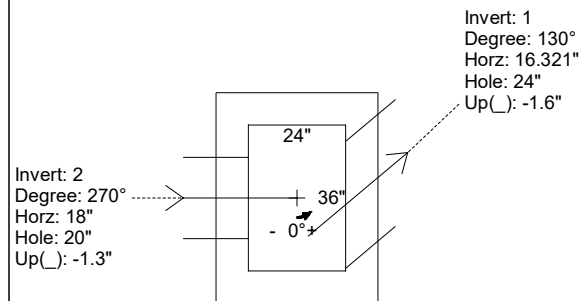
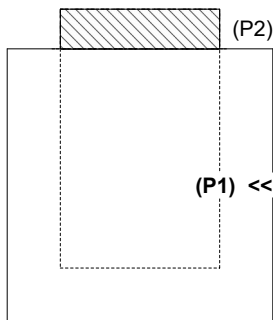
- Structure Notes:**
- PER LOUISVILLE MSD / ASTM C-913 SPECIFICATIONS
 - CONCRETE: 4,000 PSI AT 28 DAYS
 - REINFORCEMENT: #5 BAR @ 12" C.C. E.W. (GRADE 60) - 2" MIN. REBAR CLEARANCE (TYP)
 - NO STORM INVERT
 - NO STEPS
 - HOE 470 FRAME, GRATE, & CURB HOOD SUPPLIED BY OTHERS

Rim: 484.5' Rim to Invert: 3.3' Slack: 0.6" Sump: 0" Step Position:

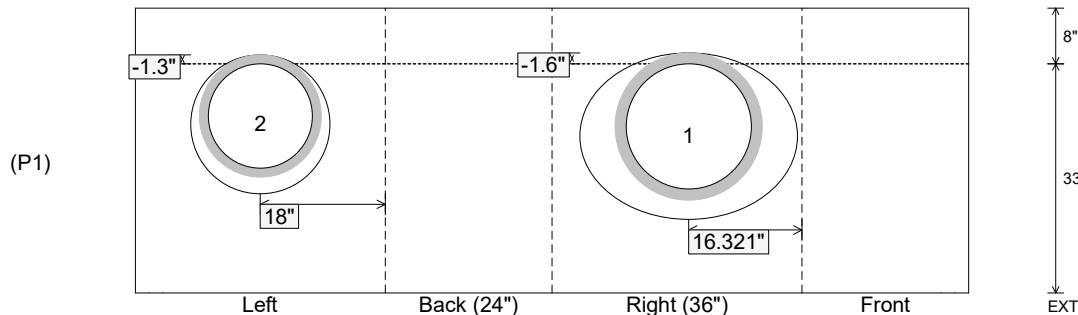
Position	Elev	Angle	Ext. (cw)	Pipe	Pipe OD	Connector	Hole	Horz Size	Up ()	Offset
Invert 1	481.2'	130°	31.033"	18" HDPE	21.2"	Hole 24	24"	31.33"	-1.6"	-9"
Invert 2	481.2'	270°	26"	15" HDPE	17.6"	Hole 20	20"	20"	-1.3"	0"
Invert 3										
Invert 4										
Invert 5										
Invert 6										
Invert 7										
Invert 8										

RIGHT-SIDE UP VIEW (int. dimensions)

UPSIDE-DOWN VIEW (int. dimenions)



INSIDE WALL DIMENSIONS



Coating (Int):
 Coating (Ext):

Seam Up: Flat
 Seam Dn: n/a

Wall Thickness: 8"
 Floor Height: 8"

Height (Int): 33"
 Height (Ext): 41"

Weight (Net): 4156 lb
 Volume (Net): 1.06cu.yd

Job Name: 25-4731 - Mantra Journey Dispensary
 Job Location: Bardstown, KY 40004
 Contractor: Hale Contracting

Plant: 100

5/15/2026 12:12:18 PM

Tech: Jared - A

PC: T. Ryan



Structure ID: ST-2 (3)

P2 MH048LD06SP

MH FLAT TOP w/18"x36" Hole F/F

- P3) 18" x 36" - CASTING HEIGHT - 5.5"
- P2) 48" - MH FLAT TOP w/18"x36" Hole F/F - 6"
- P1) 48" - MH BASE Custom Ht F/n - 22"
- 1) CASTING - HOE 580-LV F/G
- 1) 48" - Conseal CS-102 1.00"
- 1) 18" x 36" - Conseal CS-102 1.00"
- 1) DOGHOUSE INVRTD - 24"x23"
- 1) Hole - 16

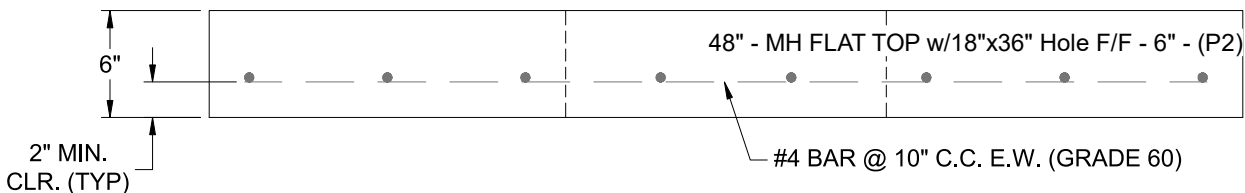
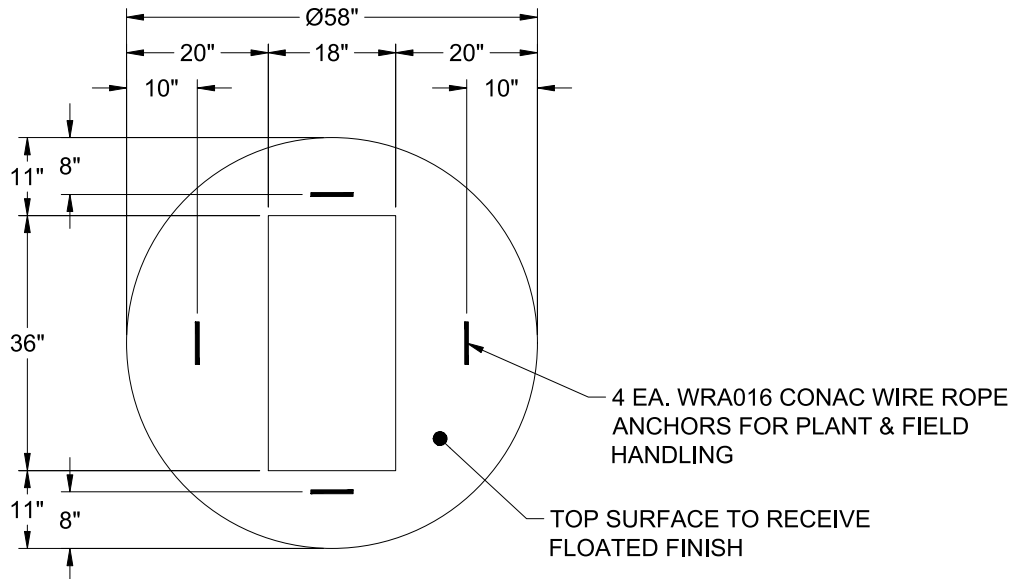
0 lb
 1004 lb
 2613 lb
 514 lb
 0 lb
 0 lb
 0 lb
 0 lb

 4131 lb

Structure Total:

Structure Notes:

1. PER ASTM C-478 SPECIFICATIONS
2. CONCRETE: 4,000 PSI AT 28 DAYS
3. REINFORCEMENT: #4 BAR @ 10" C.C. E.W. (GRADE 60) - 2" MIN. REBAR CLEARANCE (TYP)
4. HOE 580-LV FRAME & L-VANE GRATES SUPPLIED BY ICAST
5. LIFTERS: 4 EA. WRA016 CONAC WIRE ROPE ANCHORS FOR PLANT & FIELD HANDLING
6. TOP SURFACE TO RECEIVE FLOATED FINISH



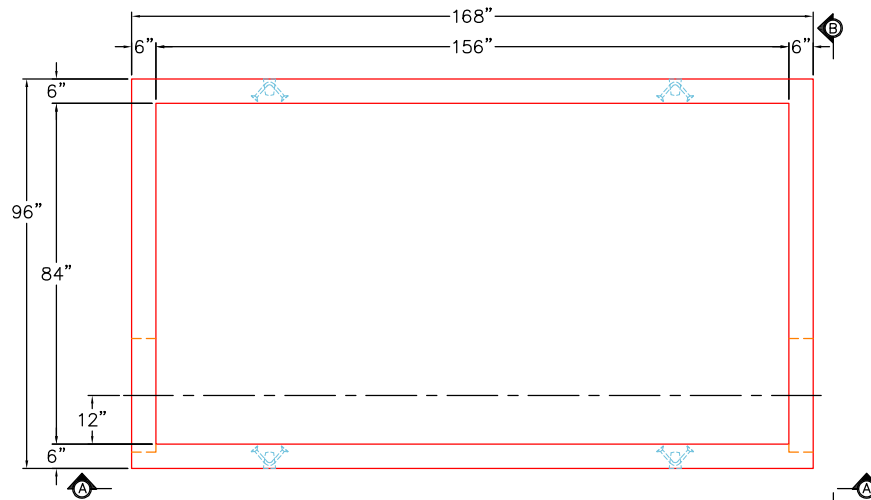
Coating (Int):
 Coating (Ext):

Seam Up: Flat
 Seam Dn: Flat

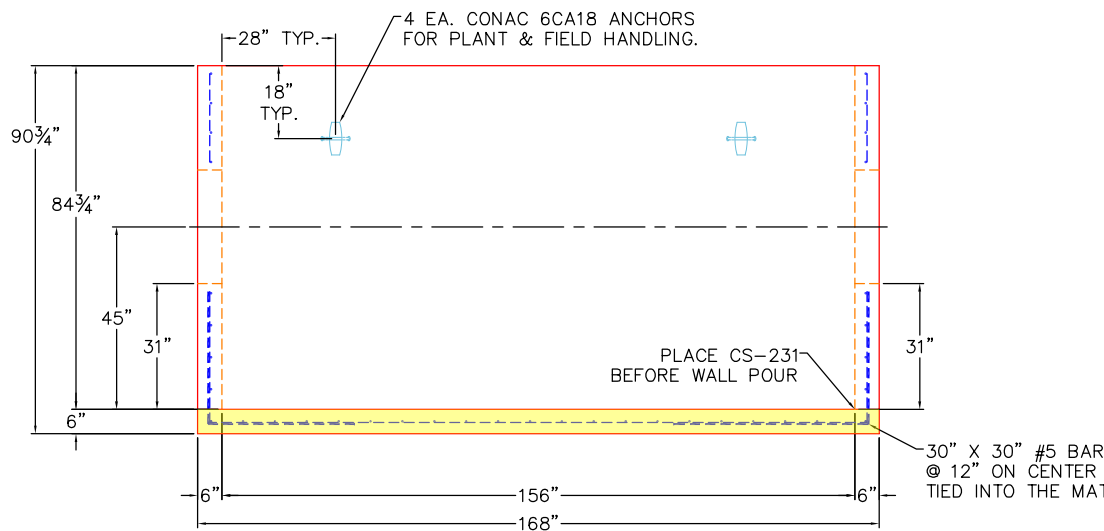
Wall Thickness: 5"

Height (Ext): 6"

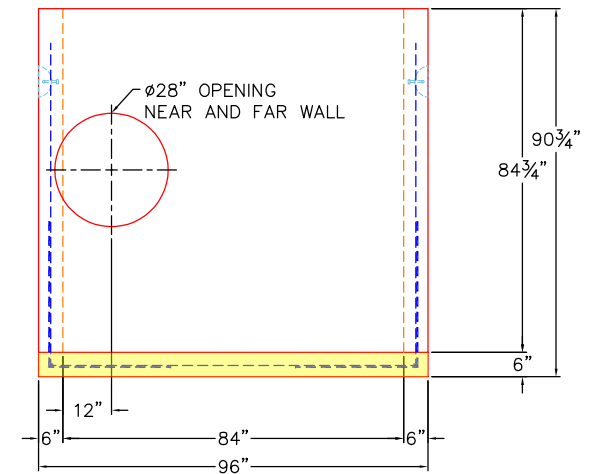
Weight (Net): 1004 lb
 Volume (Net): 0.26cu.yd



PLAN VIEW



SECTION A-A



SECTION B-B

GENERAL NOTES:

1. MANUFACTURED TO ASTM C-913 (LATEST REVISION).
2. CONCRETE: 5,000 PSI AT 28 DAYS. CONCRETE.
3. REINFORCING: PER ASTM A615 (GRADE 60). AS PER CONTECH VORTECHS DRAWINGS
4. WEIGHTS: TOTAL = 33,048 LBS
FIRST POUR = 8,120 LBS
 SECOND POUR = 20,885 LBS
 BAFFLE A = 1,960 LBS
 BAFFLE B = 2,083 LBS
5. VAULT JOINT TO BE SEALED WITH CONCRETE SEALANTS, INC. CS-102 ROLL BUTYL MASTIC. (SUPPLIED BY ICAST)
6. STRUCTURE TO HAVE INTERNALS INSTALLED BY ICAST.
7. INLET & OUTLET PIPE OPENINGS TO BE STENCILED ONTO THE OUTSIDE OF THE PRODUCT.
8. LIFT ANCHORS TO BE PLACED ON THE OUTSIDE OF THE STRUCTURE.

FIRST POUR DRAWING (BASE SLAB)

PRODUCTION WORK ORDER

PRODUCT I.D.: BX084156-06W06F-VF

DESCRIPTION: 84" X 156" X 84 3/4" TALL VAULT



QUALITY CONTROL CHECKLIST

- ALL DIMENSIONS CORRECT.
- LIFTERS INSTALLED.
- OPENING CORRECT LOCATION.
- REINFORCING CORRECT.
- SURFACE QUALITY ACCEPTABLE.
- EDGES CHAMFERED.
- ALL PATCHWORK ACCEPTABLE.

PRODUCT VIEW: RIGHT SIDE UP

CUSTOMER: CONTECH ENGINEERING SOLUTIONS

PLANT: BEAVER DAM, KY.

PROJECT: 839548 CHICK-FIL-A OSAGE BEACH

WEIGHT: 33,048 LBS

STRUCTURE: 10-VX5000

TOP SECTION JOINT: N/A

ORDER NO: 26-2253

BASE SECTION JOINT: N/A

PC: C. GOFF

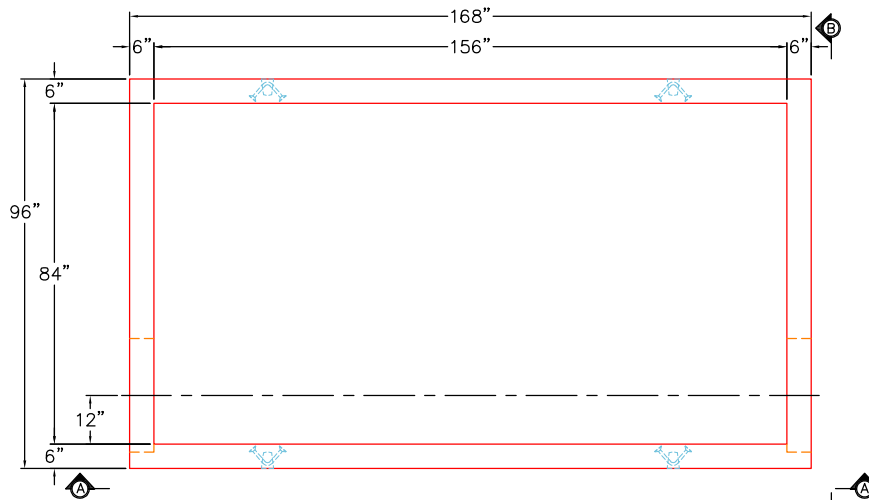
DRAWING: S. FELLETTA

QC CHECK INITIALS:

DATE: 05/12/26

SCALE: NTS

PG. 1 of 4

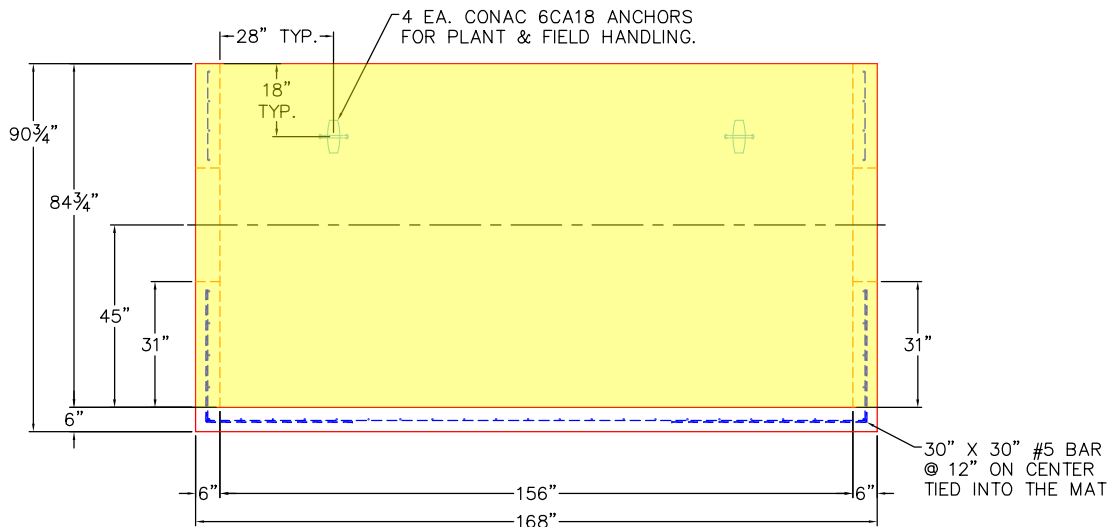


PLAN VIEW

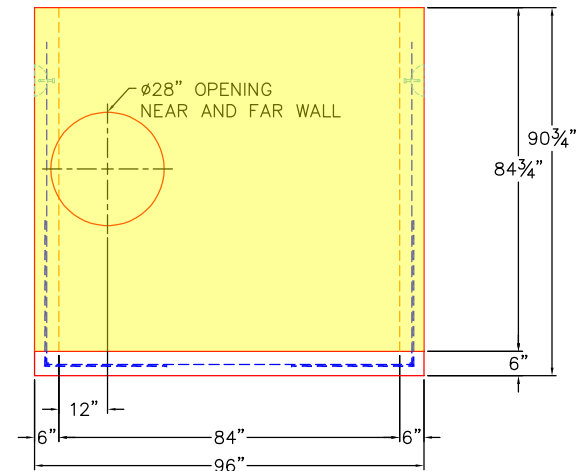
GENERAL NOTES:

1. MANUFACTURED TO ASTM C-913 (LATEST REVISION).
2. CONCRETE: 5,000 PSI AT 28 DAYS. CONCRETE.
3. REINFORCING: PER ASTM A615 (GRADE 60). AS PER CONTECH VORTECHS DRAWINGS
4. WEIGHTS: TOTAL = 33,048 LBS
 FIRST POUR = 8,120 LBS
SECOND POUR = 20,885 LBS
 BAFFLE A = 1,960 LBS
 BAFFLE B = 2,083 LBS
5. VAULT JOINT TO BE SEALED WITH CONCRETE SEALANTS, INC. CS-102 ROLL BUTYL MASTIC. (SUPPLIED BY ICAST)
6. STRUCTURE TO HAVE INTERNALS INSTALLED BY ICAST.
7. INLET & OUTLET PIPE OPENINGS TO BE STENCILED ONTO THE OUTSIDE OF THE PRODUCT.
8. LIFT ANCHORS TO BE PLACED ON THE OUTSIDE OF THE STRUCTURE.


SECOND POUR DRAWING (WALLS)

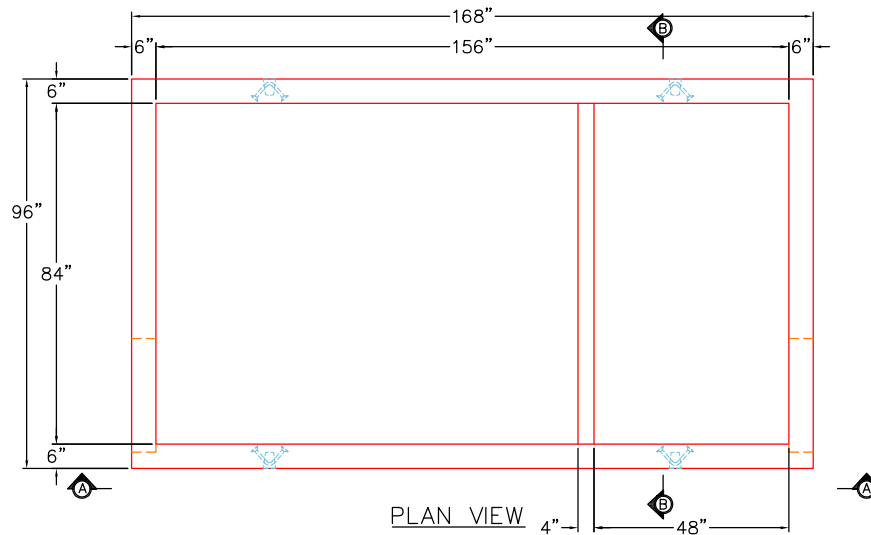


SECTION A-A



SECTION B-B

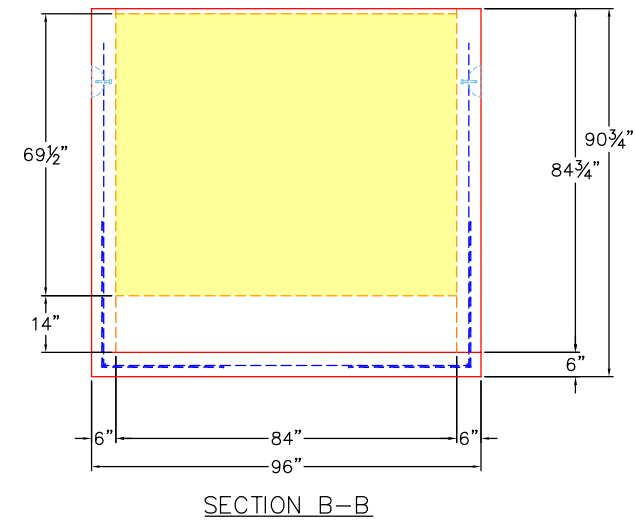
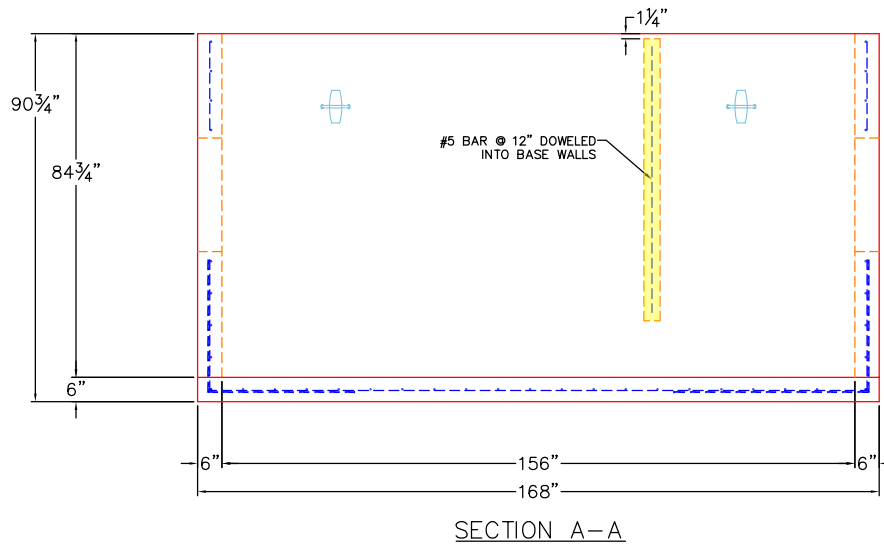
		PRODUCTION WORK ORDER QUALITY CONTROL CHECKLIST <input type="checkbox"/> ALL DIMENSIONS CORRECT. <input type="checkbox"/> LIFTERS INSTALLED. <input type="checkbox"/> OPENING CORRECT LOCATION. <input type="checkbox"/> REINFORCING CORRECT. <input type="checkbox"/> SURFACE QUALITY ACCEPTABLE. <input type="checkbox"/> EDGES CHAMFERED. <input type="checkbox"/> ALL PATCHWORK ACCEPTABLE.	PRODUCT I.D.: BX084156-06W06F-VF PRODUCT VIEW: RIGHT SIDE UP PLANT: BEAVER DAM, KY. WEIGHT: 33,048 LBS TOP SECTION JOINT: N/A BASE SECTION JOINT: N/A QC CHECK INITIALS:	DESCRIPTION: 84" X 156" X 84 3/4" TALL VAULT CUSTOMER: CONTECH ENGINEERING SOLUTIONS PROJECT: 839548 CHICK-FIL-A OSAGE BEACH STRUCTURE: 10-VX5000 ORDER NO: 26-2253 PC: C. GOFF DATE: 05/12/26	DRAWING: S. FELLETTA SCALE: NTS PG. 2 of 4
---	--	--	--	--	--




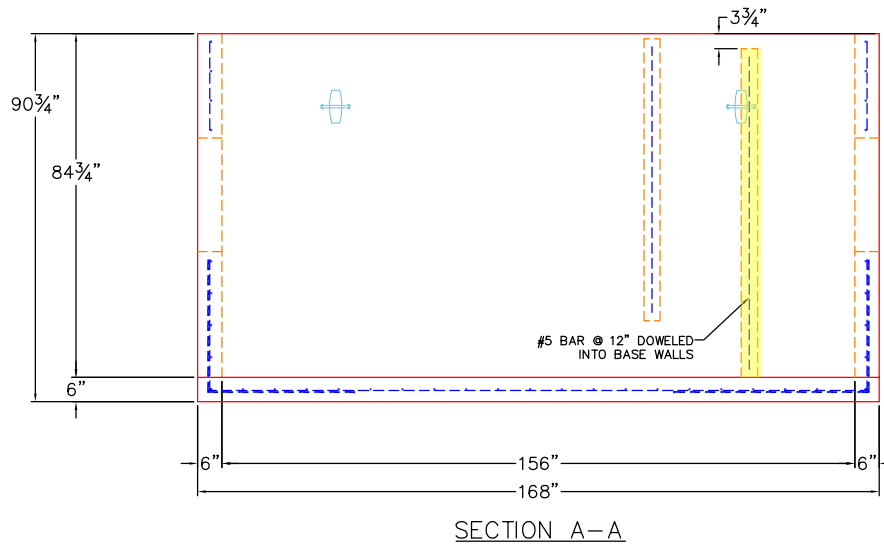
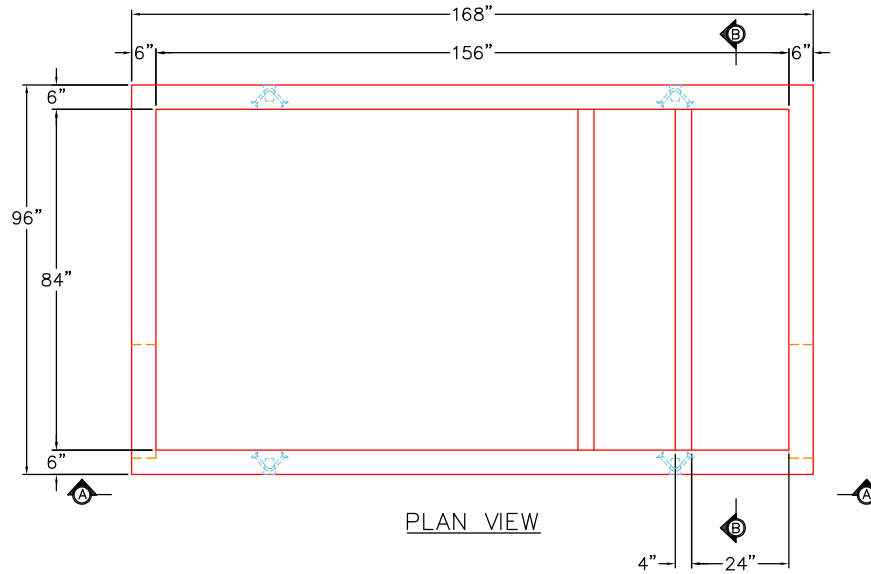
GENERAL NOTES:

1. MANUFACTURED TO ASTM C-913 (LATEST REVISION).
2. CONCRETE: 5,000 PSI AT 28 DAYS. CONCRETE.
3. REINFORCING: PER ASTM A615 (GRADE 60). AS PER CONTECH VORTECHS DRAWINGS
4. WEIGHTS: TOTAL = 33,048 LBS
 FIRST POUR = 8,120 LBS
 SECOND POUR = 20,885 LBS
BAFFLE A = 1,960 LBS
 BAFFLE B = 2,083 LBS
5. VAULT JOINT TO BE SEALED WITH CONCRETE SEALANTS, INC. CS-102 ROLL BUTYL MASTIC. (SUPPLIED BY ICAST)
6. STRUCTURE TO HAVE INTERNALS INSTALLED BY ICAST.
7. INLET & OUTLET PIPE OPENINGS TO BE STENCILED ONTO THE OUTSIDE OF THE PRODUCT.
8. LIFT ANCHORS TO BE PLACED ON THE OUTSIDE OF THE STRUCTURE.

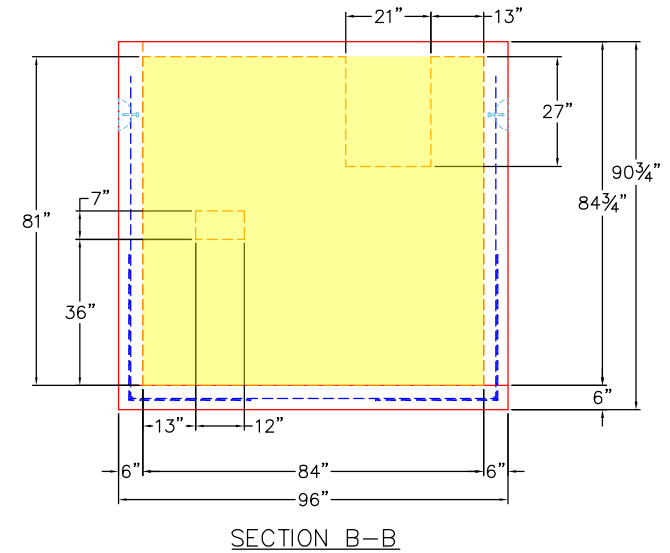
THIRD POUR (BAFFLE A) DRAWING



<p>PRODUCTION WORK ORDER</p> 		<p>PRODUCT I.D.: BX084156-06W06F-VF</p>		<p>DESCRIPTION: 84" X 156" X 84 3/4" TALL VAULT</p>	
<p>QUALITY CONTROL CHECKLIST</p> <p><input type="checkbox"/> ALL DIMENSIONS CORRECT.</p> <p><input type="checkbox"/> LIFTERS INSTALLED.</p> <p><input type="checkbox"/> OPENING CORRECT LOCATION.</p> <p><input type="checkbox"/> REINFORCING CORRECT.</p> <p><input type="checkbox"/> SURFACE QUALITY ACCEPTABLE.</p> <p><input type="checkbox"/> EDGES CHAMFERED.</p> <p><input type="checkbox"/> ALL PATCHWORK ACCEPTABLE.</p>		<p>PRODUCT VIEW: RIGHT SIDE UP</p> <p>PLANT: BEAVER DAM, KY.</p> <p>WEIGHT: 33,048 LBS</p> <p>TOP SECTION JOINT: N/A</p> <p>BASE SECTION JOINT: N/A</p> <p>QC CHECK INITIALS:</p>		<p>CUSTOMER: CONTECH ENGINEERING SOLUTIONS</p> <p>PROJECT: 839548 CHICK-FIL-A OSAGE BEACH</p> <p>STRUCTURE: 10-VX5000</p> <p>ORDER NO: 26-2253</p> <p>PC: C. GOFF DRAWING: S. FELLETTOR</p> <p>DATE: 05/12/26 SCALE: NTS PG. 3 of 4</p>	



FOURTH POUR (BAFFLE B) DRAWING



GENERAL NOTES:

1. MANUFACTURED TO ASTM C-913 (LATEST REVISION).
2. CONCRETE: 5,000 PSI AT 28 DAYS. CONCRETE.
3. REINFORCING: PER ASTM A615 (GRADE 60). AS PER CONTECH VORTECHS DRAWINGS
4. WEIGHTS: TOTAL = 33,048 LBS
FIRST POUR = 8,120 LBS
SECOND POUR = 20,885 LBS
BAFFLE A = 1,960 LBS
BAFFLE B = 2,083 LBS
5. VAULT JOINT TO BE SEALED WITH CONCRETE SEALANTS, INC. CS-102 ROLL BUTYL MASTIC. (SUPPLIED BY ICAST)
6. STRUCTURE TO HAVE INTERNALS INSTALLED BY ICAST.
7. INLET & OUTLET PIPE OPENINGS TO BE STENCILED ONTO THE OUTSIDE OF THE PRODUCT.
8. LIFT ANCHORS TO BE PLACED ON THE OUTSIDE OF THE STRUCTURE.

PRODUCTION WORK ORDER

PRODUCT I.D.: BX084156-06W06F-VF

DESCRIPTION: 84" X 156" X 84 3/4" TALL VAULT



QUALITY CONTROL CHECKLIST

- ALL DIMENSIONS CORRECT.
- LIFTERS INSTALLED.
- OPENING CORRECT LOCATION.
- REINFORCING CORRECT.
- SURFACE QUALITY ACCEPTABLE.
- EDGES CHAMFERED.
- ALL PATCHWORK ACCEPTABLE.

PRODUCT VIEW: RIGHT SIDE UP

CUSTOMER: CONTECH ENGINEERING SOLUTIONS

PLANT: BEAVER DAM, KY.

PROJECT: 839548 CHICK-FIL-A OSAGE BEACH

WEIGHT: 33,048 LBS

STRUCTURE: 10-VX5000

TOP SECTION JOINT: N/A

ORDER NO: 26-2253

BASE SECTION JOINT: N/A

PC: C. GOFF

DRAWING: S. FELLETTA

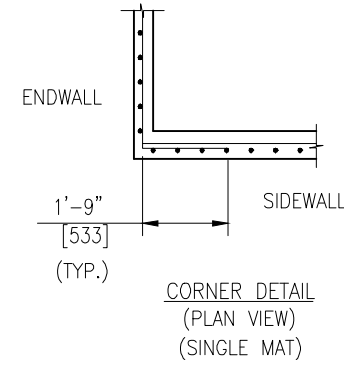
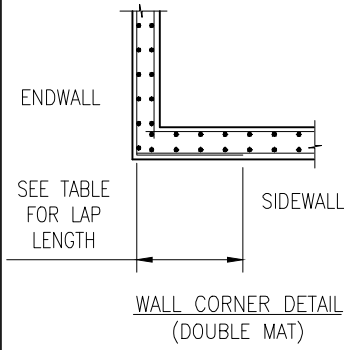
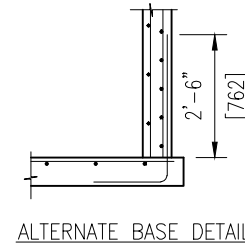
QC CHECK INITIALS:

DATE: 05/12/26

SCALE: NTS

PG. 4 of 4

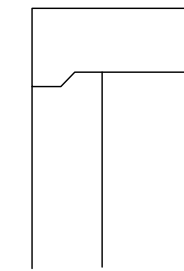
MINIMUM LAP	
BAR SIZE	LAP
#4[10M]	21"[535]
#5[15M]	26"[660]
#6[20M]	31"[790]
#7[25M]	36"[915]
#8[25M]	46"[1170]



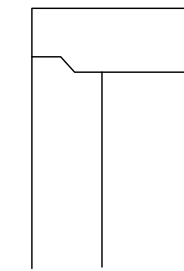
- NOTES:
- DESIGN LOAD = AASHTO HS20-44
 - CONCRETE STRENGTH = 5000psi
 - REINFORCING STEEL - GRADE 60
 - CHART BELOW SHOWS MAXIMUM DEPTH OF FILL FOR UNIT CLASS AT VARIOUS WATER TABLE DEPTHS. DRY INDICATED W/T BELOW UNIT. FILL DEPTHS GREATER THAN 10' SHALL REQUIRE SPECIAL DESIGN.
 - PIPE OPENINGS, SIZE AND LOCATION, AS REQUIRED. PROVIDE ADDITIONAL REINFORCING EQUAL TO THE BARS INTERRUPTED, 1/2 EACH SIDE. ADD #4 DIAGONAL TRIM BARS AROUND OPENINGS.
 - ALTERNATE SLAB DETAIL "A" CANNOT BE USED WITH FULL HEIGHT MONO BASE. FULL HEIGHT MONO BASE UNIT, MUST HAVE TOP SLAB IN PLACE PRIOR TO BACK FILLING.
 - THE OPENING SIZES AND LOCATIONS MAY VARY. FOR EXACT SIZES AND LOCATIONS SEE CONTECH PROJECT SPECIFIC DRAWINGS.

SECTION	0	3	6	9	DRY
FULL BASE	2.00	3.50	5.00	6.50	9.50

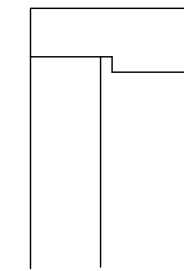
ALT. TOP SLAB
DETAIL A



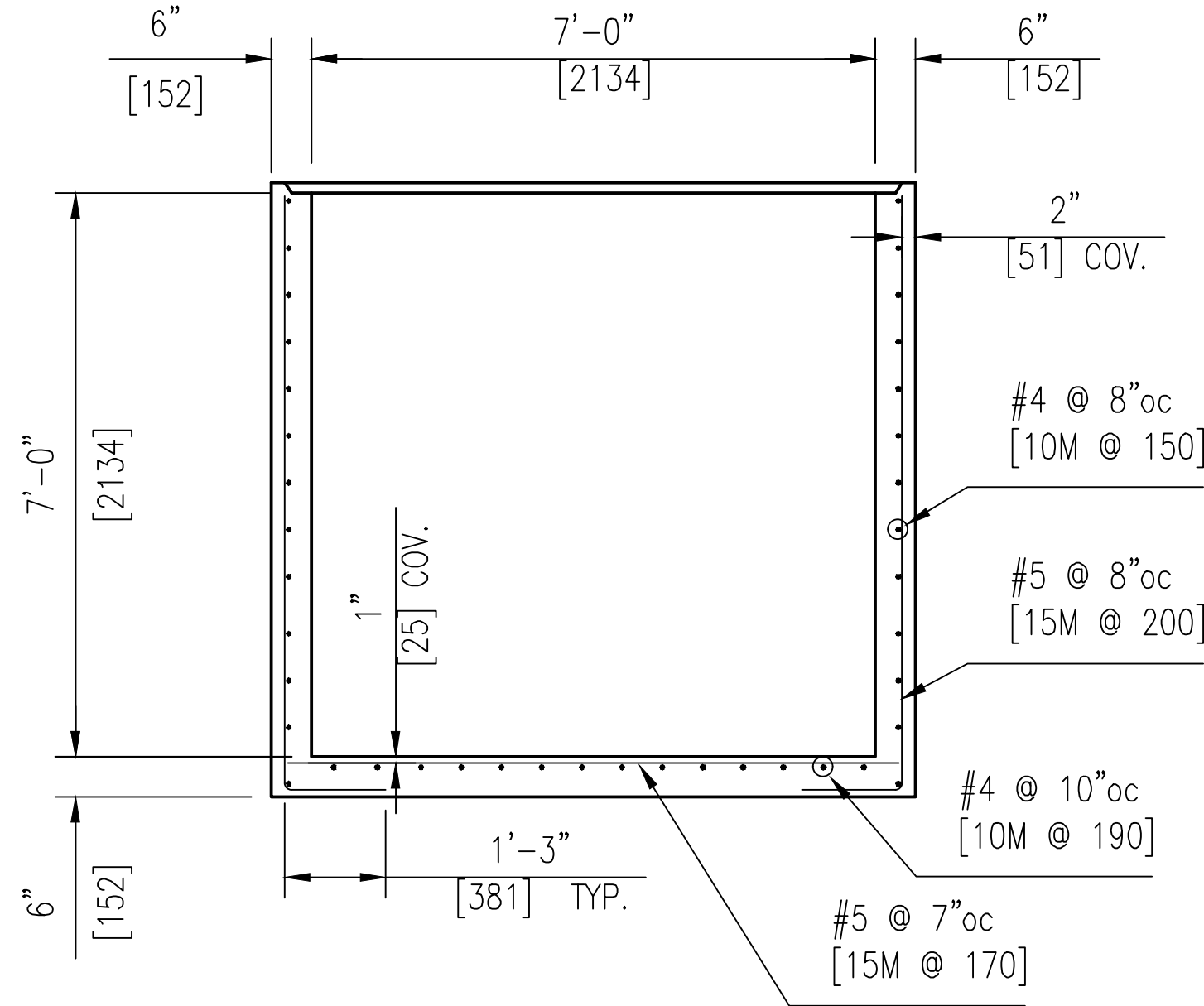
ALT. TOP SLAB
DETAIL B



ALT. TOP SLAB
DETAIL C



* SEE NOTE 6



FULL HEIGHT MONOLITHIC BASE UNIT
(BAR WEIGHT = 1279 LBS.)

MODEL 5000: 600 CLASS 13'-0" L x 7'-0" W x 7'-0" I.D.

PREPARED FOR:

TITLE: VORTECHS MODEL 5000 - 600 CLASS

PROJECT: VORTECHS

DRAWN BY: GJP

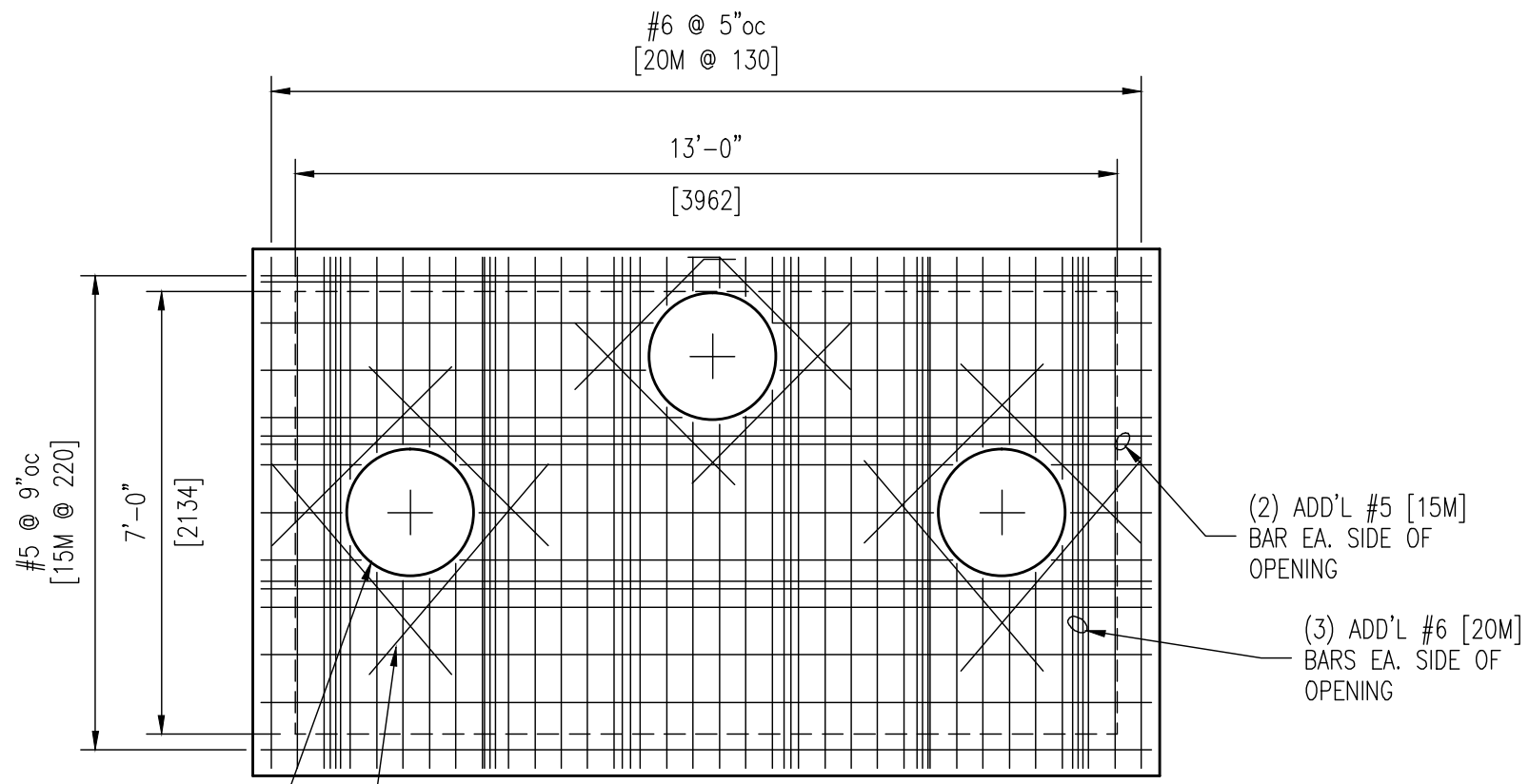
CHECKED BY: JTL

SCALE: NONE

DATE: 10/2009

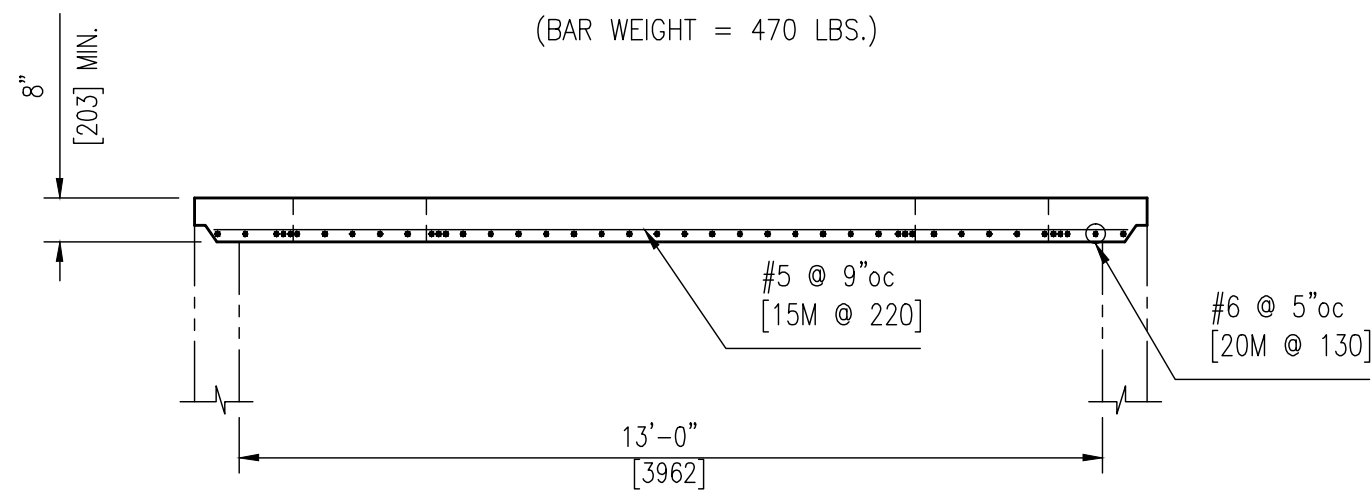
JOB No: 2007.025.033

NUMBER: MOD5K

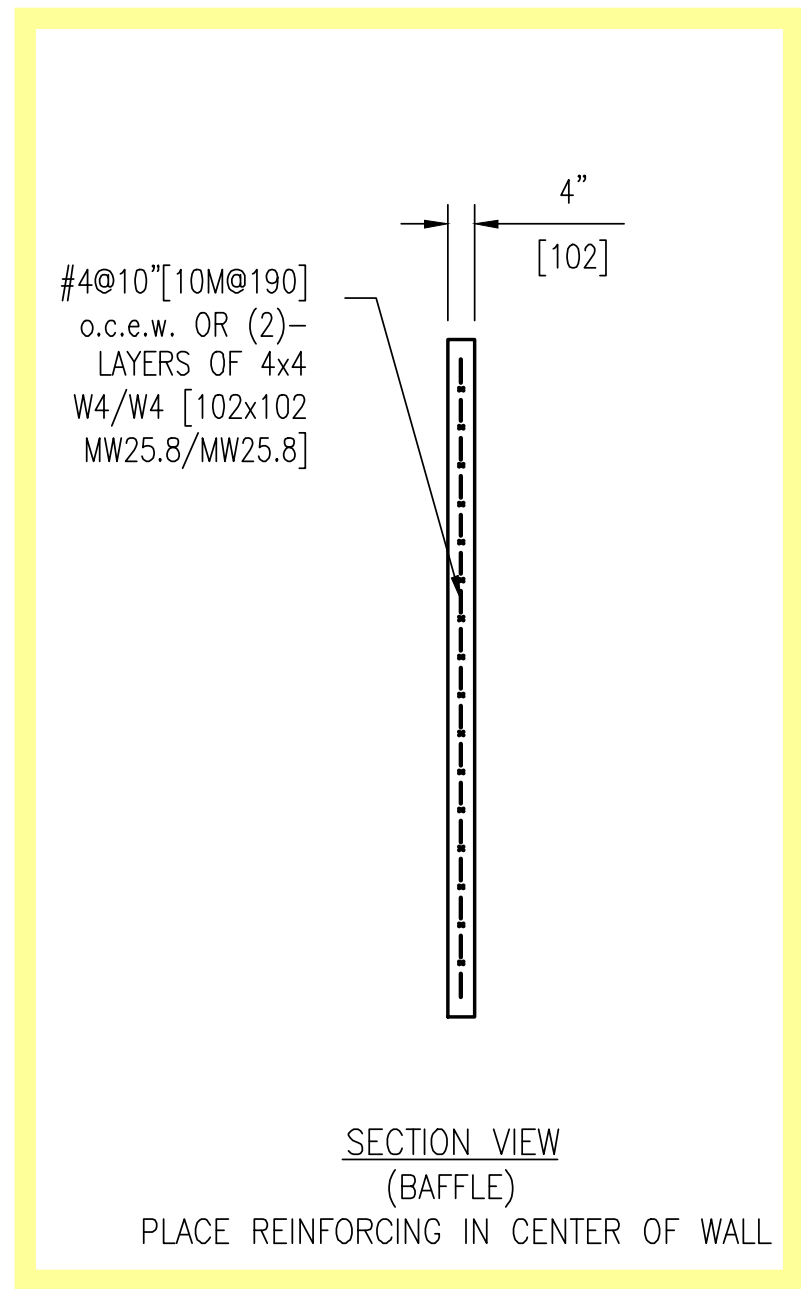


PLAN VIEW
 (TOP SLAB)
 ALL COVER 2"[51] U.N.O.

(BAR WEIGHT = 470 LBS.)



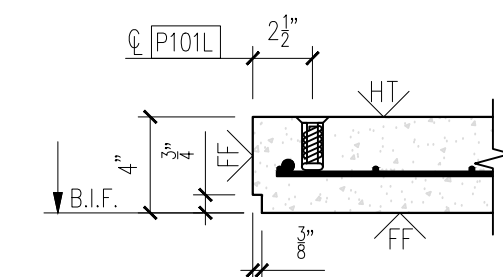
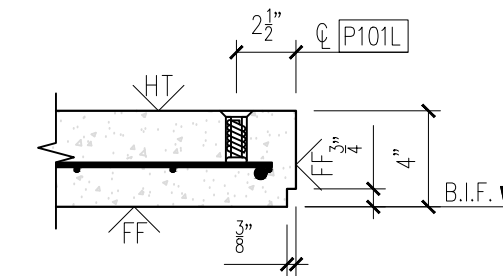
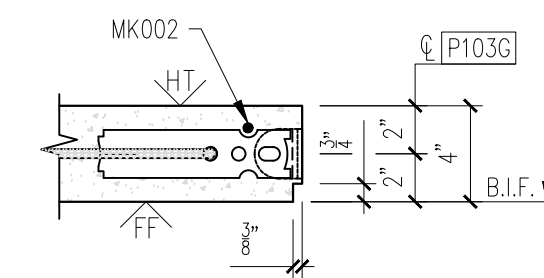
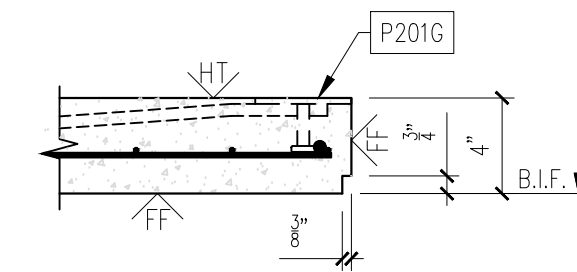
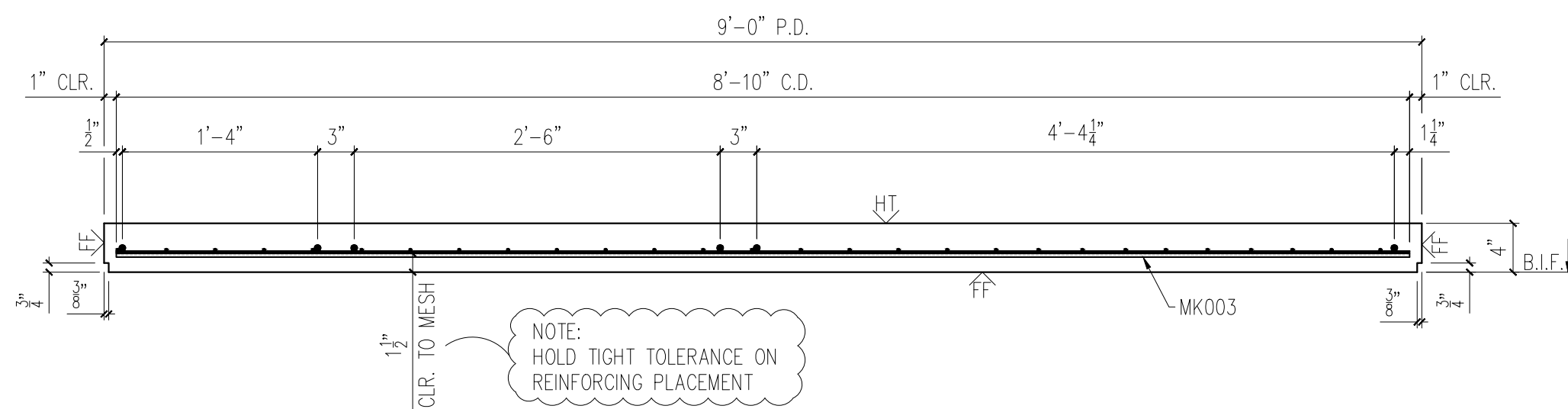
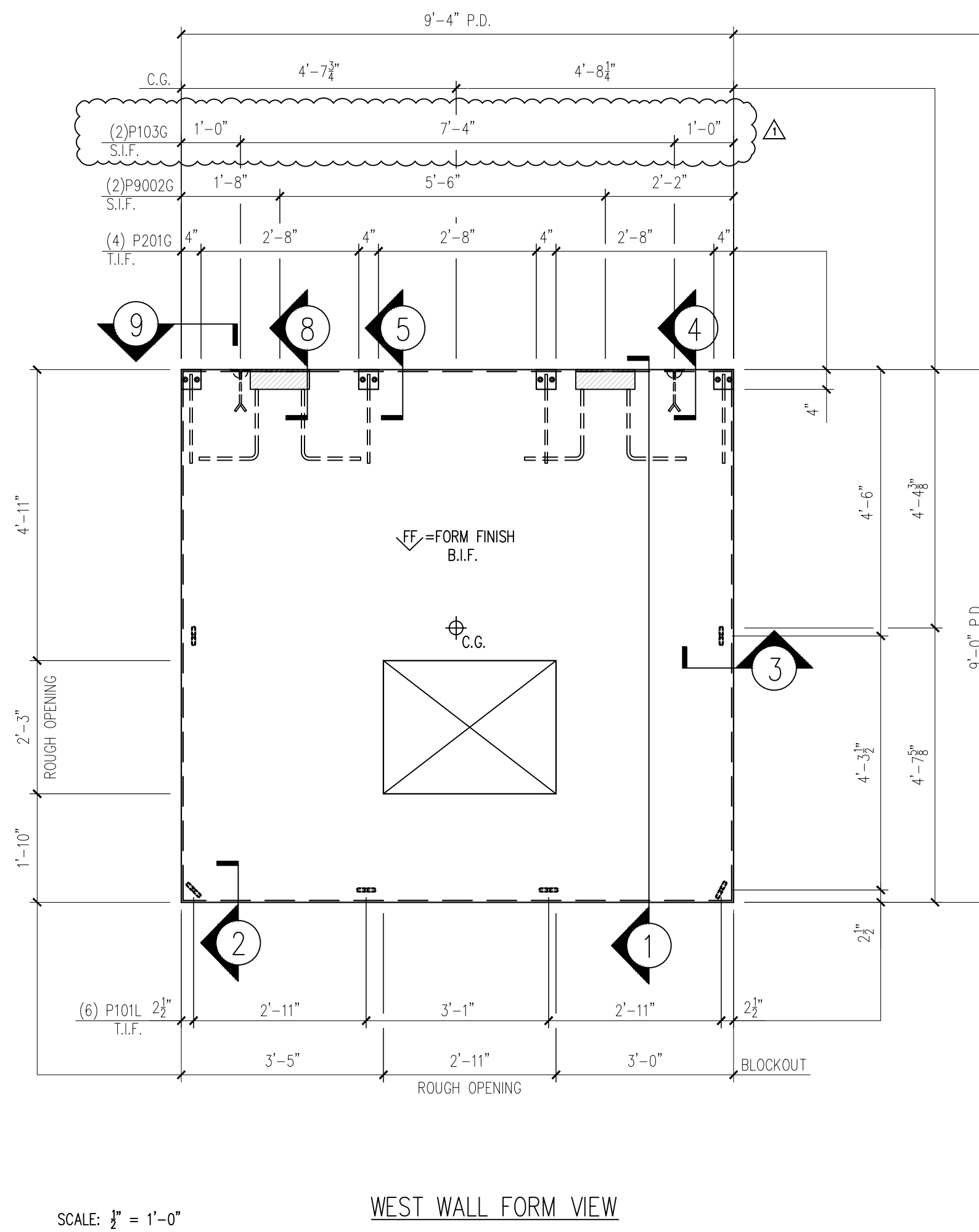
SECTION VIEW
 (TOP SLAB)
 ALL COVER 2"[51] U.N.O.



TITLE: VORTECHS MODEL 5000 – BASE & ROOF SLABS & BAFFLE
 PREPARED BY: PROJECT: VORTECHS
 DRAWN BY: GJP DATE: 10/2009
 CHECKED BY: JTL JOB No: 2007.025.033
 SCALE: NONE NUMBER: MOD5KSLAB

DELTA
 ENGINEERS, ARCHITECTS, & LAND SURVEYORS
 184 COURT STREET, BINGHAMTON, NY 13901
 TEL: (607) 231-6600 FAX: (607) 231-6650

26-1206 - Honeywell Telecommunication room
 Precast Building
 Product ID - CVW
 WEST WALL - WP-03
 Weight - 3,870 LBS Each
 1 Required



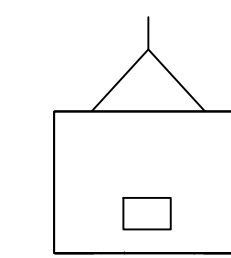
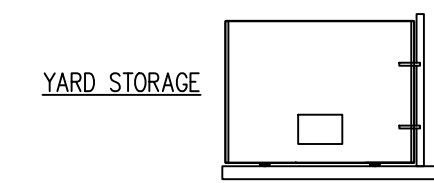
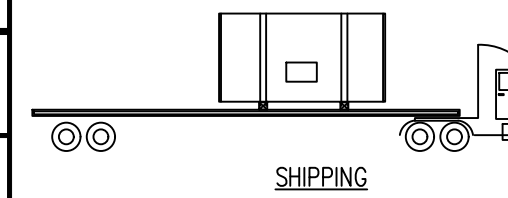
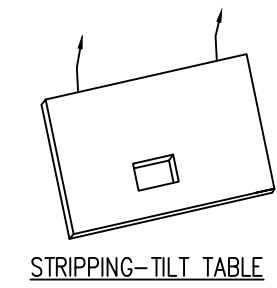
MESSAGE CENTER

- REFER TO DETAILS AND SECTION FOR REINFORCEMENT PLACEMENT
- SHOP TICKET SHOWS EXTERIOR FINISH CAST FACE DOWN

CHECKED BY: DATE:
 APPROVED BY: DATE:

BILL OF MATERIALS		
MARK #	DESCRIPTION	QTY.
P101L	3/8" X 12" F-63 FLARED THIN SLAB COIL INSERT (ELECTROPLATED)	6
P103G	2 TON RL-4 TECH ERECTION ANCHOR (79527SP) (GALV.)	2
P9002G	ESW P-4 LIFTING ANGLE (GALV.)	2
P201G	4"X4"X3/8"W/(2) 3/8" X 1 1/2" H.A.S. W/ 1'-4" BENT REBAR (GALVANIZED)	4

HANDLING INSTRUCTIONS



CONCRETE INSTRUCTIONS

CONCRETE RELEASE @ 2,500 P.S.I.
 CONCRETE @ 28 DAYS: 5,000 P.S.I.

CONCRETE MIXES

MIX	VOLUME
CONCRETE - GRAY	VOLUME = 0.95 C.Y.
CONCRETE - MIX 1	VOLUME = - C.Y.
CONCRETE - MIX 2	VOLUME = - C.Y.
SOFT SOUND	VOLUME = - C.Y.
TOTALS	VOLUME = 0.95 C.Y.
WEIGHT: 3,870 LBS.	

FINISHING INSTRUCTIONS

HT = HARD TROWEL FINISH
 FF = FORM FINISH

Dimension	SQ.FT.(T.I.F.)
H = 9'-0"	SQ.FT.(T.I.F.) = 77.43
W = 9'-4"	SQ.FT.(T.I.F.) = -
D = 4"	SQ.FT.(T.I.F.) = -

CONTROL NUMBERS:

-

PRODUCT SALES ORDER NUMBER

ESW BUILDING -

SHEET NUMBER NUMBER REQUIRED

1 OF 2 1

DATE	DESCRIPTION	INI.	REV.
05.14.26 <td>REVISED LIFTING LOCATIONS P103G <td>WCR <td>1</td> </td></td>	REVISED LIFTING LOCATIONS P103G <td>WCR <td>1</td> </td>	WCR <td>1</td>	1
			2
			3
			4

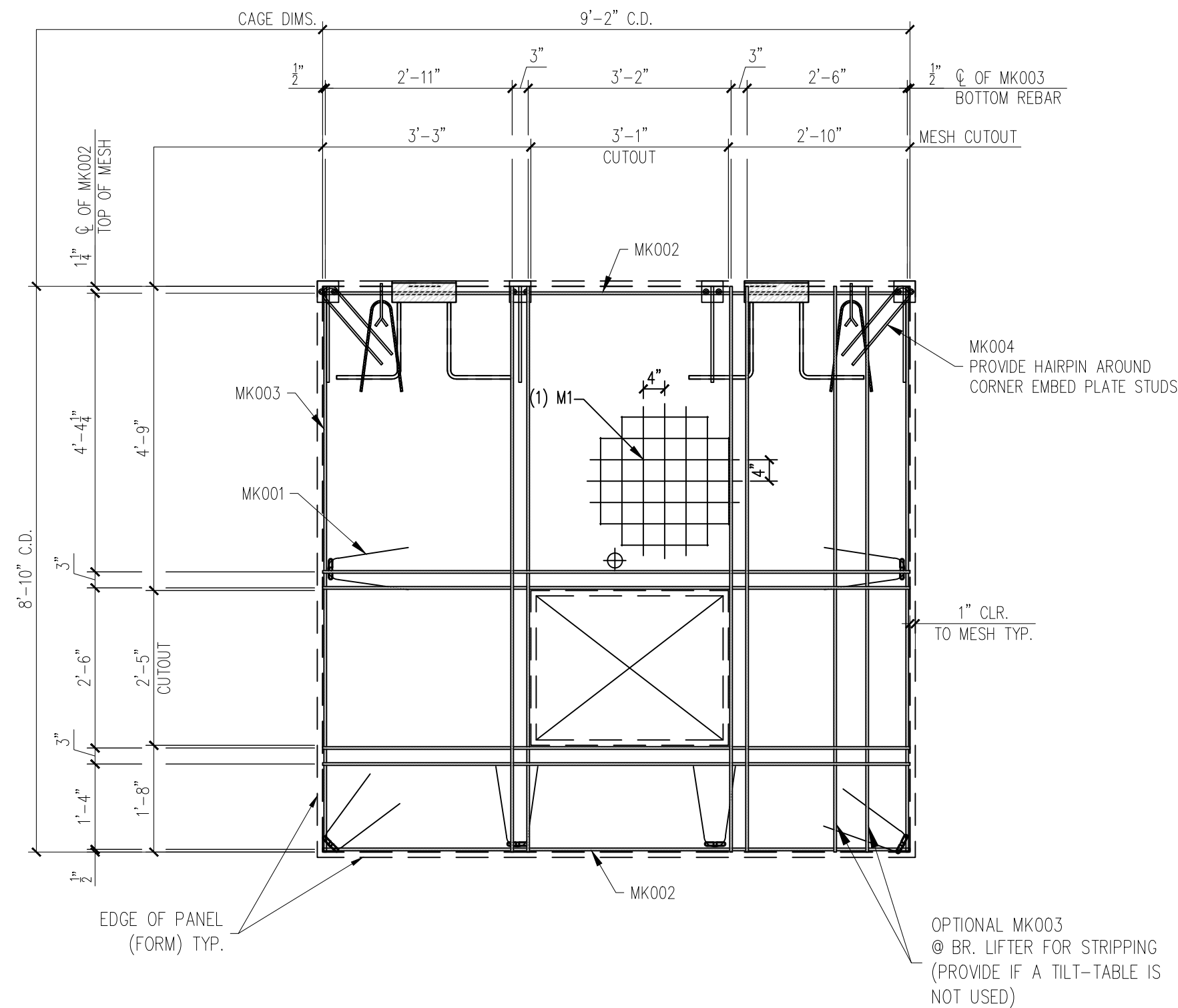
PROJECT: 10'x12'x9' EASI-SET BUILDING
 HONEYWELL TELECOMM BUILDING
 KANSAS CITY, MO
 CONTRACTOR: MUSSELMAN AND HALL CONT.

SCALE NTS
 DRAWN BY FTL
 CHECK BY WCR
 ISSUE DATE 05.11.26
 PIECE MARK WP-03

EASI-SET® WORLDWIDE
 5119 Cattlett Rd. • Midland, VA 22728 • info@EasiSet.com
 www.EasiSet.com • 800-547-4045 • Fax 540-439-2541

25-1206 - Honeywell Telecommunication room
 Precast Building
 Product ID - CVW
 WEST WALL - WP-03
 Weight - 3,870 LBS Each
 1 Required

NOTE:
 DIMENSIONS PROVIDED ARE PULLED FROM EDGE OF
 CAGE TO CENTERLINE OF REBAR AND TO CENTER
 OF REBAR TO CENTER OF REBAR



REINFORCING SCHEDULE		
MARK #	DESCRIPTION	QTY
MK001	#3 X 3'-0"	8
MK002	#3 X 9'-2"	6
MK003	#3 X 8'-10"	6
MK004	#3 X 3'-1"	2

MESH SCHEDULE		
MARK #	DESCRIPTION	QTY
M1	W4XW4 4"X4" WWF 9'-2" X 8'-10"	1

EASI-SET® WORLDWIDE
 5119 Catlett Rd. • Midland, VA 22728 • info@EasiSet.com
 www.EasiSet.com • 800-547-4045 • Fax 540-439-2541

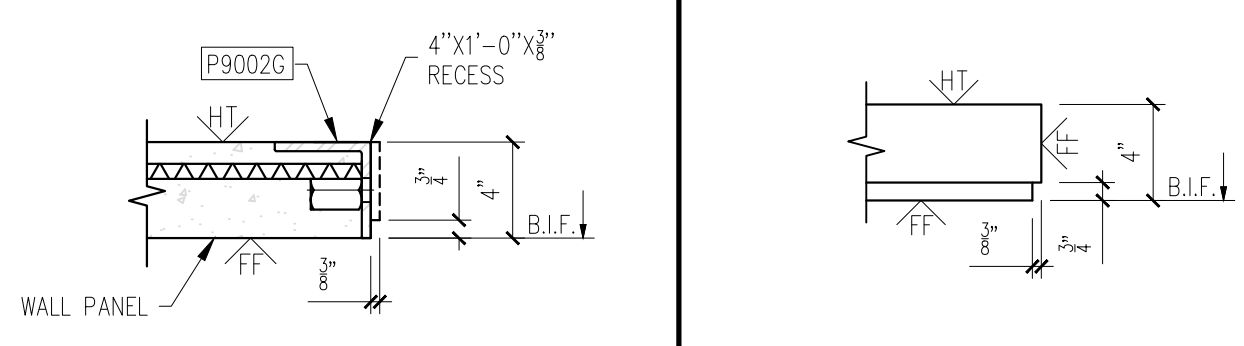
DATE	DESCRIPTION	REV
05.14.26 <td>REVISED LIFTING LOCATIONS P10.3G <td>WCR</td> </td>	REVISED LIFTING LOCATIONS P10.3G <td>WCR</td>	WCR

PROJECT: 10'x12'x9' EASI-SET BUILDING
 HONEYWELL TELECOMM BUILDING
 KANSAS CITY, MO
 CONTRACTOR: MUSSELMAN AND HALL CONT.

MESSAGE CENTER

- REFER TO DETAILS AND SECTION FOR REINFORCEMENT PLACEMENT
- SUPPLEMENTAL STEEL FOR STRIPPING AND HANDLING MAY BE ADDED AS REQUIRED.

NOTE:
 1. CONSTRUCT REBAR-MESH CAGE ACCORDING TO THE DRAWINGS. SECURE LIFTING APPARATUS TO FORM AND ADD PROPER REINFORCEMENT. PLACE REBAR-MESH CAGE AND HAIRPINS AT INSERTS WITH PROPER CLEARANCES (PER DRAWINGS).



CHECKED BY: DATE:
 APPROVED BY: DATE:

PRODUCT	SALES ORDER NUMBER
ESW BUILDING	-
SHEET NUMBER	NUMBER REQUIRED
2 OF 2	1

SCALE	NTS
DRAWN BY	FTL
CHECK BY	WCR
ISSUE DATE	05.11.26
PIECE MARK	WP-03

6

7

8

9

10

11

12

Job Name: 25-2511B - Blue Sky Sec 1 (Storm)
 Job Location: Clarksville, TN
 Contractor: Byard Construction, LLC

Plant: 100

11/17/2025 5:03:03 PM

Tech: J. Horsley - F

PC: A. Chambers



Structure ID: Q

P2 BX036048-08LD08-24X36

BX FLAT LID 8inW w/24"x36" HOLE F/F

- P3) 24" x 36" - CASTING HEIGHT - 6"
- P2) 36" x 48" - BX FLAT LID 8inW w/24"x36" HOLE F/F - 8"
- P1) 36" x 48" - BOX BASE 8inW, 8inF, Variable Ht F/n - 41"
- 1) Conseal CS-102 1.00" (Single)
- 1) CASTING - JBS 3080-V SET (F/G/H)
- 1) 36" x 48" - SGL 1"x14.5' Butyl
- 1) Hole - 38
- 2) Hole - 30

0 lb
 1654 lb
 6028 lb
 0 lb
 500 lb
 0 lb
 0 lb
 0 lb
 0 lb
 0 lb

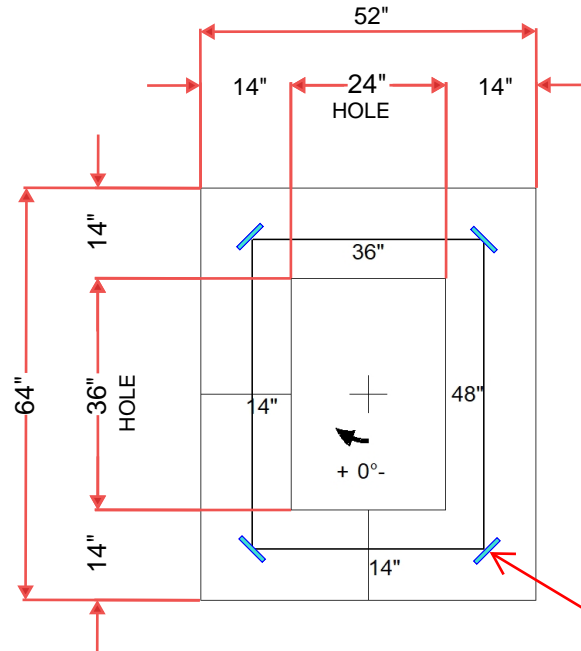
Structure Total: 8182 lb

Structure Notes:

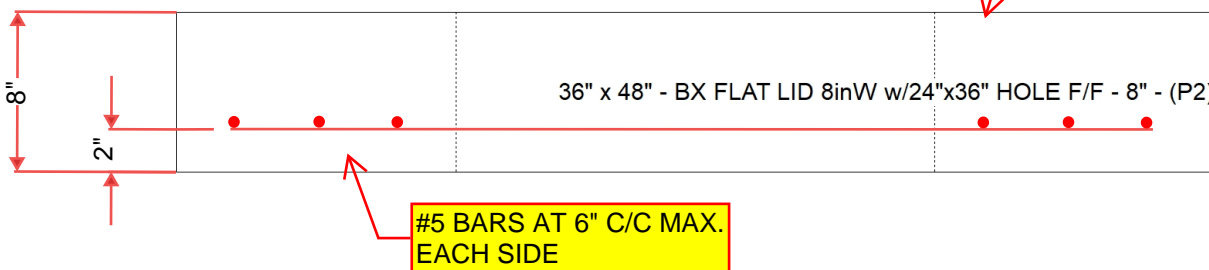
1. PER ASTM C478 SPECIFICATIONS.
2. CONCRETE = 4,000 PSI AT 28 DAYS.
3. NO STEPS AND NO INVERT CHANNEL.
4. CASTING BY I-CAST (JBS 3080-V F/G/H).

REINFORCING PER ASTM A615 (GRADE 60).

- TOP SLAB (As .62) #5 BARS AT 6" C.C.E.W..
- RISER/WALLS (As .12)
- FLOOR (As .31) #5 BARS AT 12" C.C.E.W.



FLOATED FINISH ON TOP SURFACE



Coating (Int):
 Coating (Ext):

Seam Up: Flat
 Seam Dn: Flat

Wall Thickness: 8"

Height (Ext): 8"

Weight (Net): 1654 lb
 Volume (Net): 0.42cu.yd

Job Name: 25-4731 - Mantra Journey Dispensary
 Job Location: Bardstown, KY 40004
 Contractor: Hale Contracting

Plant: 100

Tech: Jared - A

5/15/2026 12:11:23 PM

PC: T. Ryan



Structure ID: ST-1 (2)

P1 MH048BAVF

MH BASE Custom Ht F/n

- P3) 24" - CASTING HEIGHT - 7"
- P2) 48" - MH FLAT TOP w/ 24" Center Hole F/F - 7"
- P1) 48" - MH BASE Custom Ht F/n - 28"
- 1) SECONDARY POUR - Weir Wall (48" X 8.4" X 4")
- 1) 48" - Conseal CS-102 1.00"
- 1) 24" - Conseal CS-102 1.00"
- 2) Hole - 24
- 2) Hole - 12

- Structure Notes:**
1. PER ASTM C-478 SPECIFICATIONS
 2. CONCRETE: 4,000 PSI AT 28 DAYS
 3. REINFORCEMENT: PER ASTM A615
 4. NO STORM INVERT
 5. NO STEPS
 6. HOE MC-420 FRAME & COVER "STORM" SUPPLIED BY ICAST
 7. THIS STRUCTURE CONTAINS A WEIR WALL - SEE SECOND POUR DRAWING FOR WEIR WALL DETAILS

0 lb
 1700 lb
 2789 lb
 140 lb
 0 lb
 0 lb
 0 lb
 0 lb

 0 lb
 Structure Total: 4629 lb

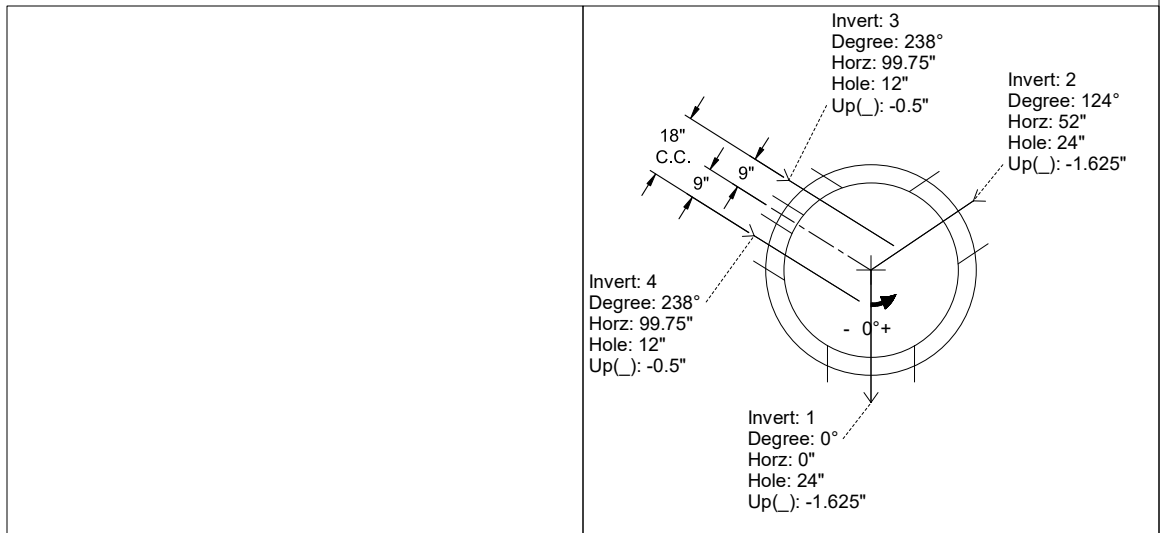
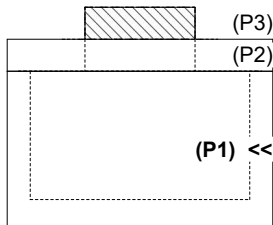
FIRST POUR (BASE): 2,789 LBS
SECOND POUR (WEIR WALL): 140 LBS

Rim: 696.43' Rim to Invert: 3.53' Slack: 0.36" Sump: 0" Step Position:

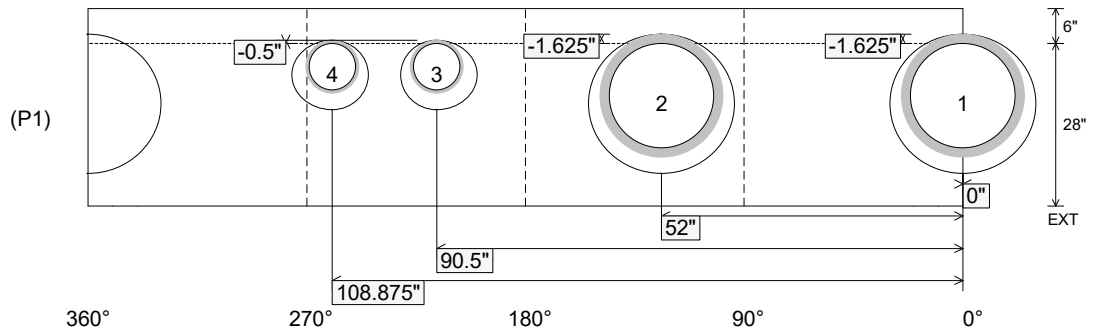
Position	Elev	Angle	Ext. (cw)	Pipe	Pipe OD	Connector	Hole	Horz Size	Up ()	Offset
Invert 1	692.9'	0°	0"	18" HDPE	21.2"	Hole 24	24"	25.133"	-1.625"	0"
Invert 2	692.9'	124°	62.75"	18" HDPE	21.2"	Hole 24	24"	25.133"	-1.625"	0"
Invert 3	692.9'	238°	111.25"	8" HDPE	9.1"	Hole 12	12"	13.195"	-0.5"	-9"
Invert 4	692.9'	238°	129.625"	8" HDPE	9.1"	Hole 12	12"	13.195"	-0.5"	9"
Invert 5										
Invert 6										
Invert 7										
Invert 8										

RIGHT-SIDE UP VIEW (int. dimensions)

UPSIDE-DOWN VIEW (int. dimensions)



INSIDE WALL DIMENSIONS



Coating (Int):
 Coating (Ext):

Seam Up: Flat
 Seam Dn: n/a

Wall Thickness: 5"
 Floor Height: 6"

Height (Int): 28"
 Height (Ext): 34"

Weight (Net): 2789 lb
 Volume (Net): 0.71cu.yd

Job Name: 25-4731 - Mantra Journey Dispensary
 Job Location: Bardstown, KY 40004
 Contractor: Hale Contracting

Plant: 100

5/15/2026 12:11:23 PM

Tech: Jared - A

PC: T. Ryan



Structure ID: ST-1 (2)

P1 MH048BAVF

MH BASE Custom Ht F/n

- P3) 24" - CASTING HEIGHT - 7"
- P2) 48" - MH FLAT TOP w/ 24" Center Hole F/F - 7"
- P1) 48" - MH BASE Custom Ht F/n - 28"
- 1) SECONDARY POUR - Weir Wall (48" X 8.4" X 4")
- 1) 48" - Conseal CS-102 1.00"
- 1) 24" - Conseal CS-102 1.00"
- 2) Hole - 24
- 2) Hole - 12

0 lb
 1700 lb
 2789 lb
 140 lb
 0 lb
 0 lb
 0 lb
 0 lb
 0 lb
 Structure Total: 4629 lb

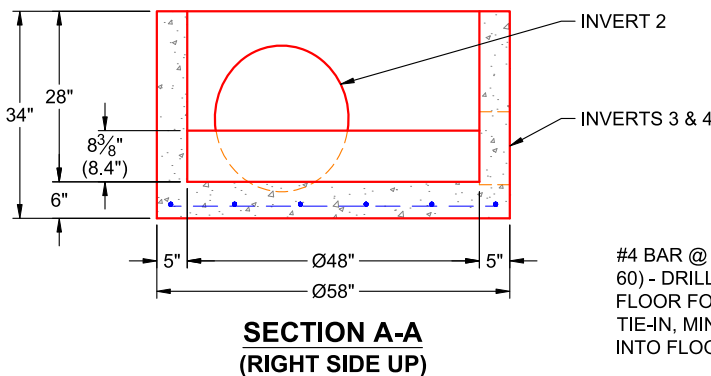
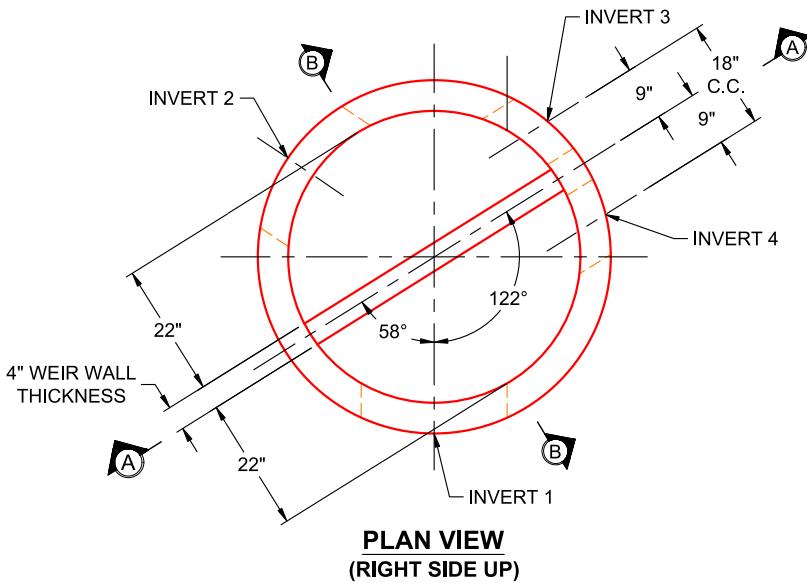
Structure Notes:

1. PER ASTM C-478 SPECIFICATIONS
2. CONCRETE: 4,000 PSI AT 28 DAYS
3. REINFORCEMENT: #4 BAR @ 12" C.C. E.W. (GRADE 60) - 1.5" MIN. REBAR CLEARANCE (TYP) - DRILL & DOWEL #4 BAR @ 12" C.C. E.W. (GRADE 60) INTO BASE FLOOR FOR WEIR WALL POUR TIE-IN, MIN. 4" PENETRATION INTO FLOOR
4. SEE FIRST POUR DRAWING FOR BASE DETAILS

FIRST POUR (BASE): 2,789 LBS
SECOND POUR (WEIR WALL): 140 LBS

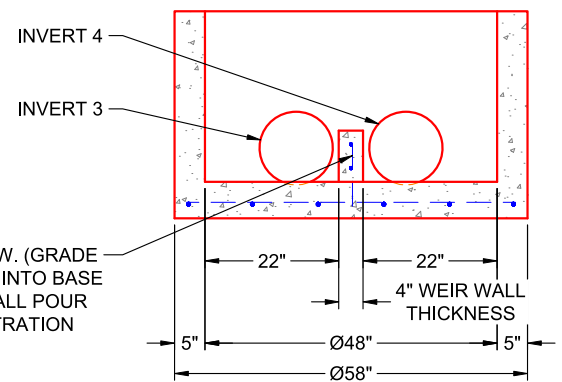
Rim: 696.43' Rim to Invert: 3.53' Slack: 0.36" Sump: 0" Step Position:

Position	Elev	Angle	Ext. (cw)	Pipe	Pipe OD	Connector	Hole	Horz Size	Up (L)	Offset
Invert 1	692.9'	0°	0"	18" HDPE	21.2"	Hole 24	24"	25.133"	-1.625"	0"
Invert 2	692.9'	124°	62.75"	18" HDPE	21.2"	Hole 24	24"	25.133"	-1.625"	0"
Invert 3	692.9'	238°	111.25"	8" HDPE	9.1"	Hole 12	12"	13.195"	-0.5"	-9"
Invert 4	692.9'	238°	129.625"	8" HDPE	9.1"	Hole 12	12"	13.195"	-0.5"	9"
Invert 5										



**SECTION A-A
(RIGHT SIDE UP)**

#4 BAR @ 12" C.C. E.W. (GRADE 60) - DRILL & DOWEL INTO BASE FLOOR FOR WEIR WALL POUR TIE-IN, MIN. 4" PENETRATION INTO FLOOR



**SECTION B-B
(RIGHT SIDE UP)**

Job Name: 25-3600 Signet FCU
 Job Location: Paducah, KY
 Contractor: Ainsworth Land Development, LLC

Plant: Beaver Dam
 5/8/2026 8:06:40 AM

Tech: S. Felletter
 PC: T. Lewis



Structure ID: DB1

P2 BX024024-08LD08-14

CB FLAT TOP 8"W (HOE KY-215 F&G) F/F

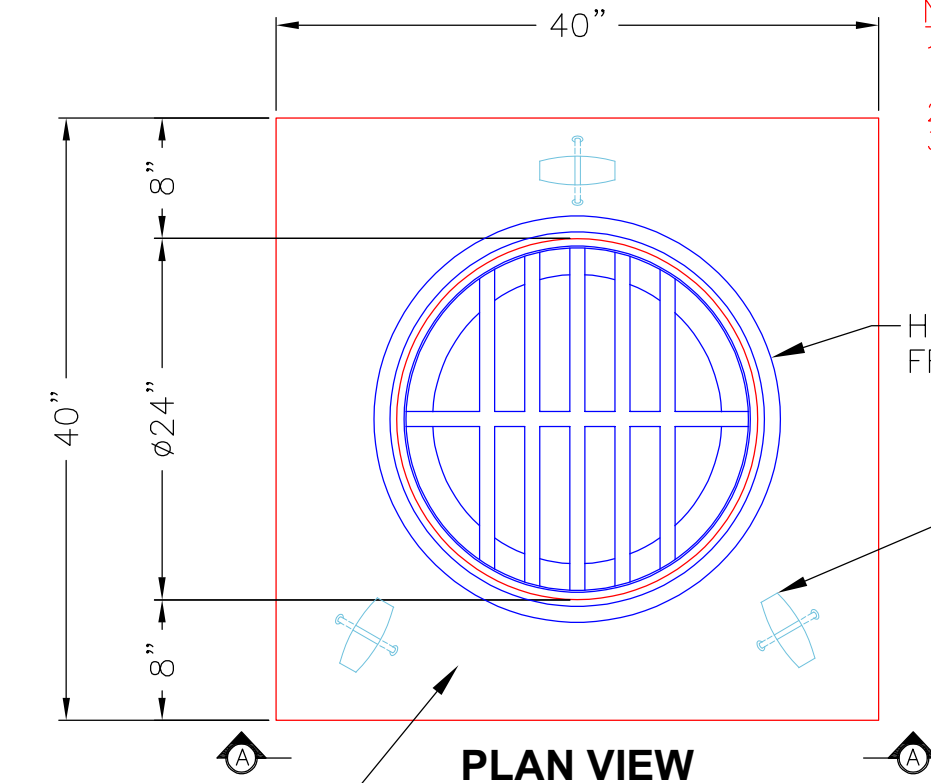
- P2) 24" x 24" - CB FLAT TOP 8"W (HOE KY-215 F&G) F/F - 8"
 P1) 24" x 24" - BOX BASE 8inW, 8inF, Variable Ht F/n - 22"
 1) This Structure Includes a Cast-in Item
 1) CASTING - HOE KY-215 F/BEEHIVE (DBI 15)
 1) 24" x 24" - Conseal CS-102 1.00"
 1) Hole - 16
 1) Hole - 8

770 lb
 2782 lb
 0 lb
 317 lb
 0 lb
 0 lb
 0 lb

 Structure Total: 3869 lb

- Structure Notes:**
 1. KYTC DBI TYPE 15 / ASTM C913 SPECIFICATIONS
 2. CONCRETE = 4,000 PSI AT 28 DAYS.
 3. NO INVERT CHANNEL.
 4. DBI-15 F/G CAST INTO TOP SLAB (HOE KY-215 F/G BEEHIVE).

- REINFORCING PER ASTM A615 (GRADE 60).
 - TOP SLAB (As .62) #5 BARS AT 6" C.C.E.W.
 - WALLS (As .31) #5 BARS AT 12" C.C.E.W.
 - FLOOR (As .31) #5 BARS AT 12" C.C.E.W.



PLAN VIEW

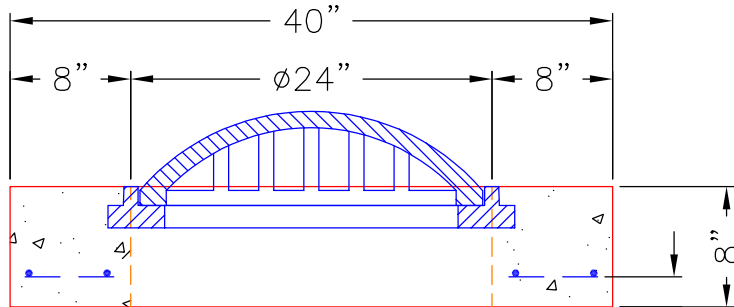
BRUSHED FINISH

NOTES:

1. MANUFACTURED TO ASTM C-913 (LATEST REVISION).
2. CONCRETE: 4,000 PSI AT 28 DAYS.
3. REINFORCING: #5 BAR @ 6" C.C. E.W. (GRADE 60).

HOE KY-215 BH ϕ 24" FRAME CAST-IN AS SHOWN

3 EA. CONAC 5CA14 A-ANCHORS FOR HANDLING.



TOP VIEW

2" CLR. MIN.

Coating (Int):
 Coating (Ext):

Seam Up: Flat
 Seam Dn: Flat

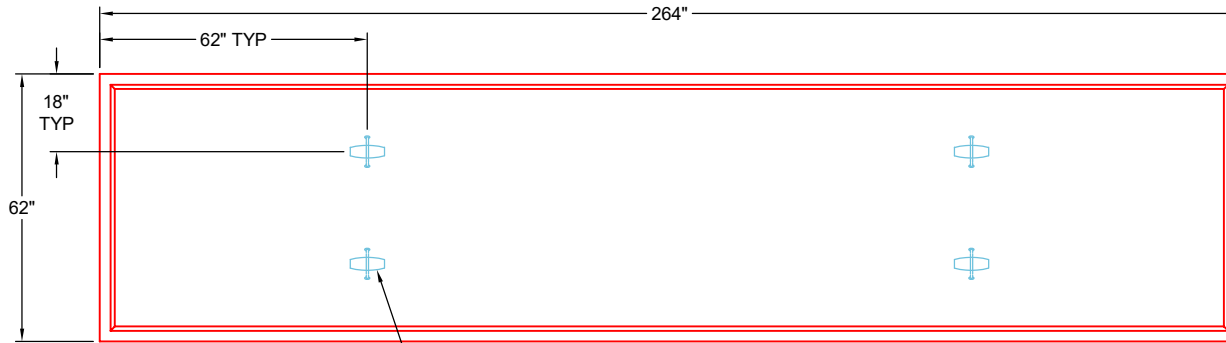
Wall Thickness: 8"

Height (Ext): 8"

Weight (Net): 770 lb
 Volume (Net): 0.2cu.yd

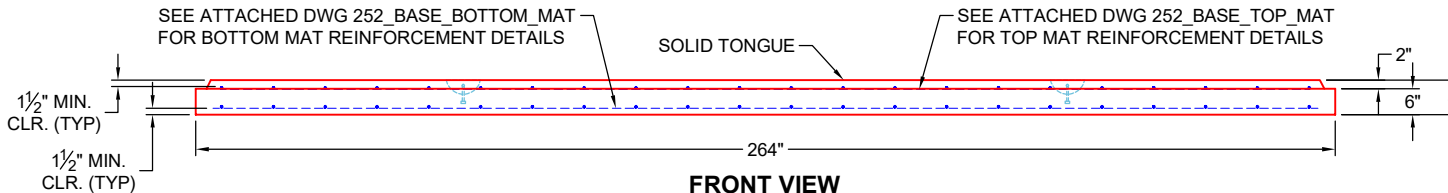
GENERAL NOTES:

1. MANUFACTURED TO ASTM C-913 (LATEST REVISION)
2. CONCRETE: 5,000 PSI AT 28 DAYS
3. REINFORCEMENT - MIN. 1½" REBAR CLEARANCE:
 - TOP MAT: PER ATTACHED DWG 252_BASE_TOP_MAT
 - BOTTOM MAT: PER ATTACHED DWG 252_BASE_BOTTOM_MAT
4. WEIGHTS: 11,502 LBS

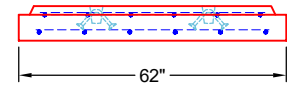


4 EA. 6CA18 CONAC A-ANCHORS FOR PLANT & FIELD HANDLING


**PLAN VIEW
(RIGHT SIDE UP)**



**FRONT VIEW
(RIGHT SIDE UP)**



**SIDE VIEW
(RIGHT SIDE UP)**

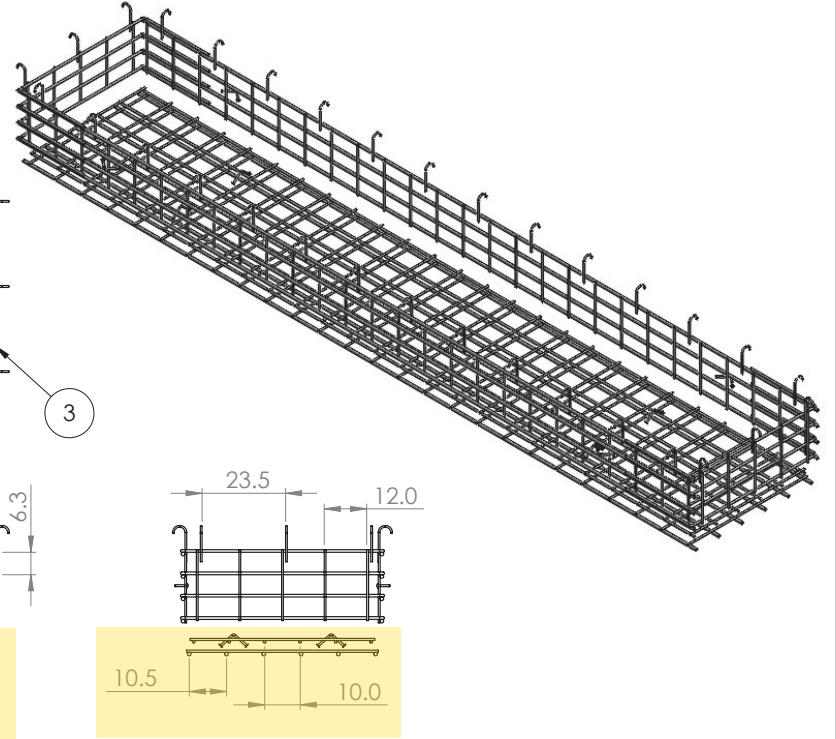
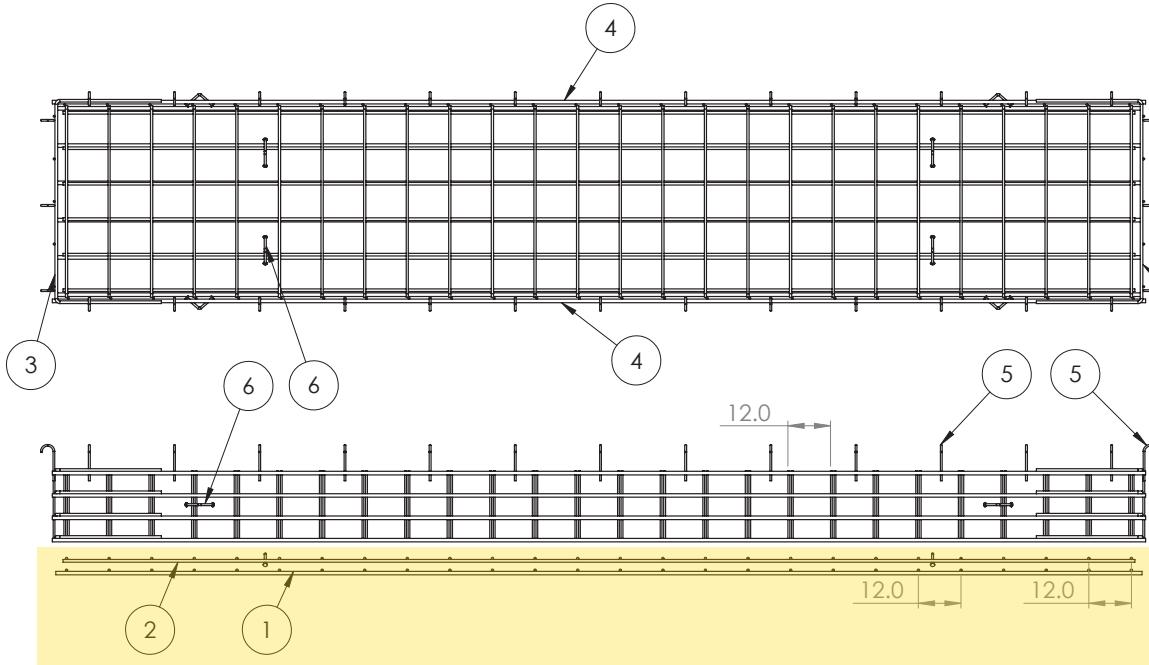
PRODUCTION WORK ORDER		PRODUCT I.D.: CVBS	DESCRIPTION: 62" X 264" X 8" SEPARATE BASE SLAB		
	QUALITY CONTROL CHECKLIST <input type="checkbox"/> ALL DIMENSIONS CORRECT. <input type="checkbox"/> LIFTERS INSTALLED. <input type="checkbox"/> CORRECT THICKNESS. <input type="checkbox"/> REINFORCING CORRECT. <input type="checkbox"/> FINISH ON SLAB SURFACE UNIFORM. <input type="checkbox"/> OUTSIDE TOP EDGE TROWELLED. <input type="checkbox"/> SOLID TONGUE JOINT INSTALLED.	PRODUCT VIEW: RIGHT SIDE UP	CUSTOMER: ENDESOL, INC.		
		PLANT: BEAVER DAM, KY	PROJECT: 4-23 691254775		
		WEIGHT: 11,502 LBS	STRUCTURE: 2-61618 2 (EFX-60 21 PN VAULT)		
		TOP SECTION JOINT: N / A	ORDER NO: 26-1618		
		BASE SECTION JOINT: SOLID TONGUE	PE: J.H. ROSS	DRAWING: J. HORSLEY	
		QC CHECK INITIALS:	DATE: 04/24/26	SCALE: NTS	PG. 1 OF 1

4

3

2

1



B

B

A

A

ITEM NO.	PART NUMBER	Qty.
1	252_Base_Bottom Mat	1
2	252_Base_Top Mat	1
3	Short Wall	2
4	252_ADJ_Long Wall	2
5	#4 0904J	32
6	6CA18	8

NOTES:

1. Rebar: #5, #6, #8 A614 Grade 60
2. All Rebar to have 1.5" Cover Minimum

PROPRIETARY AND CONFIDENTIAL
 THE INFORMATION CONTAINED IN THIS DRAWING IS THE SOLE PROPERTY OF ENDESOL INC. ANY REPRODUCTION IN PART OR AS A WHOLE WITHOUT THE WRITTEN PERMISSION OF ENDESOL INC. IS PROHIBITED.

		UNLESS OTHERWISE SPECIFIED:	NAME	DATE	ENDESOL	
		DIMENSIONS ARE IN INCHES	DRAWN	CMJ		3-25-16
		TOLERANCES:	CHECKED	JHR		3-25-16
		FRACTIONAL 1/8"	ENG APPR.	XXXX		XXXX
		TWO PLACE DECIMAL .13	MFG APPR.	XXXX	XXXX	
		THREE PLACE DECIMAL .125	Q.A.	XXXX	XXXX	
		INTERPRET GEOMETRIC TOLERANCING PER:	COMMENTS:			
		MATERIAL	Rebar A614 G60			
		FINISH	MILL			
NEXT ASSY	USED ON	APPLICATION	DO NOT SCALE DRAWING			
		TITLE:		EFX-60 Adjustable Section Rebar Layout		
SIZE	DWG. NO.	REV				
B	EFX-60 ADJ Rebar	X1				
SCALE: 1:50		WEIGHT:	SHEET 1 OF 1			

4

3

2

1

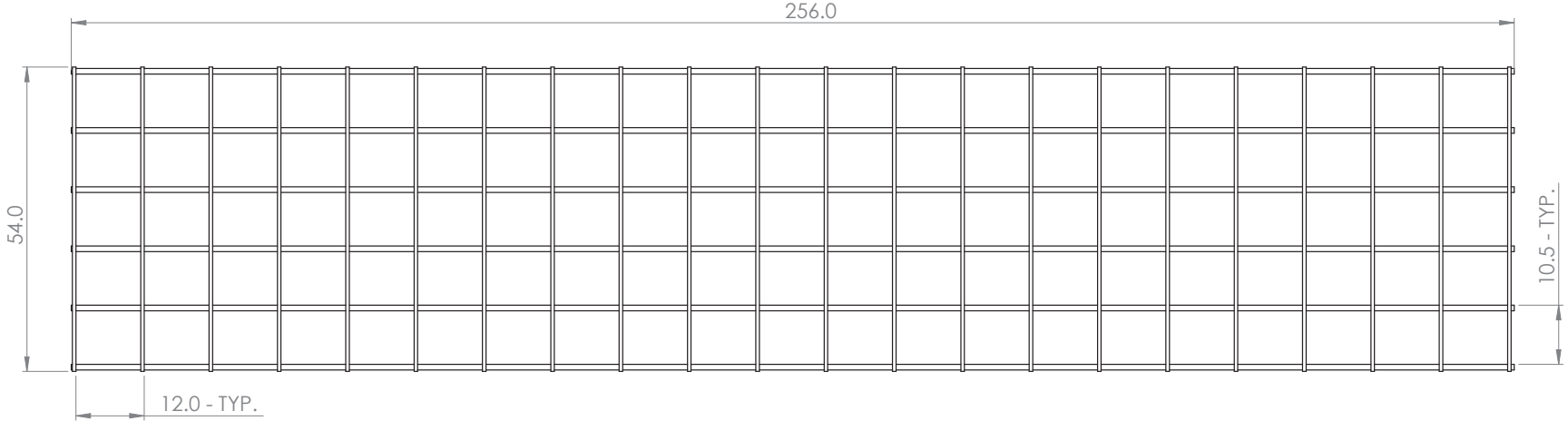
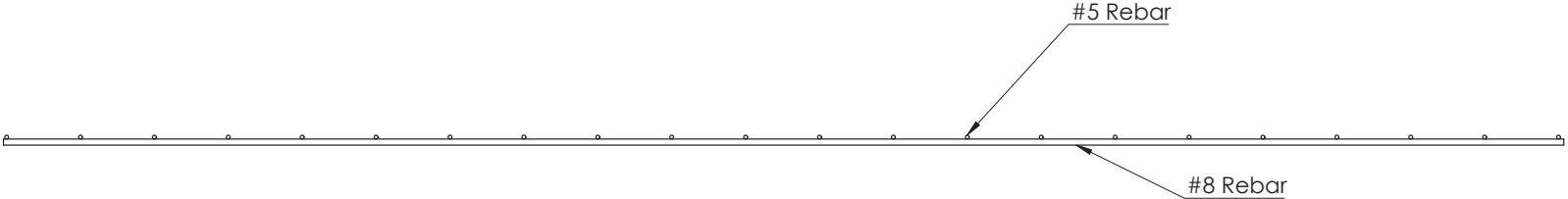
4

3

2

1

ITEM NO.	PART NUMBER	DESCRIPTION	QTY.
1	#8_256.0	#8 Rebar	6
2	#5_54.0	#5 Rebar	22



981 W. 7th Street
 Beaver Dam, KY
 42320
 P 270-363-2238
 F 270-363-2234
 iCastinc.com

DIMENSIONS ARE IN INCHES
 TOLERANCES:
 FRACTIONAL ±
 ANGULAR: MACH ± BEND ±
 DECIMAL ± 0.5"

	NAME	DATE
DRAWN	CMJ	8/3/20
CHECKED	JHR	8/3/20
ENG APPR.		
MFG APPR.		
Q.A.		
COMMENTS:		

PROPRIETARY AND CONFIDENTIAL
 THE INFORMATION CONTAINED IN THIS DRAWING IS THE SOLE PROPERTY OF
 INFRASTRUCTURE PRECAST INC. (iCast). ANY REPRODUCTION IN PART OR
 AS A WHOLE WITHOUT THE WRITTEN PERMISSION OF iCast IS PROHIBITED.

MATERIAL
 FINISH
 DO NOT SCALE DRAWING

SIZE DWG. NO. REV.
B 252_Base_Bottom Mat
 SCALE: 1:50 WEIGHT: SHEET 1 OF 1

4

3

2

1

B

B

A

A

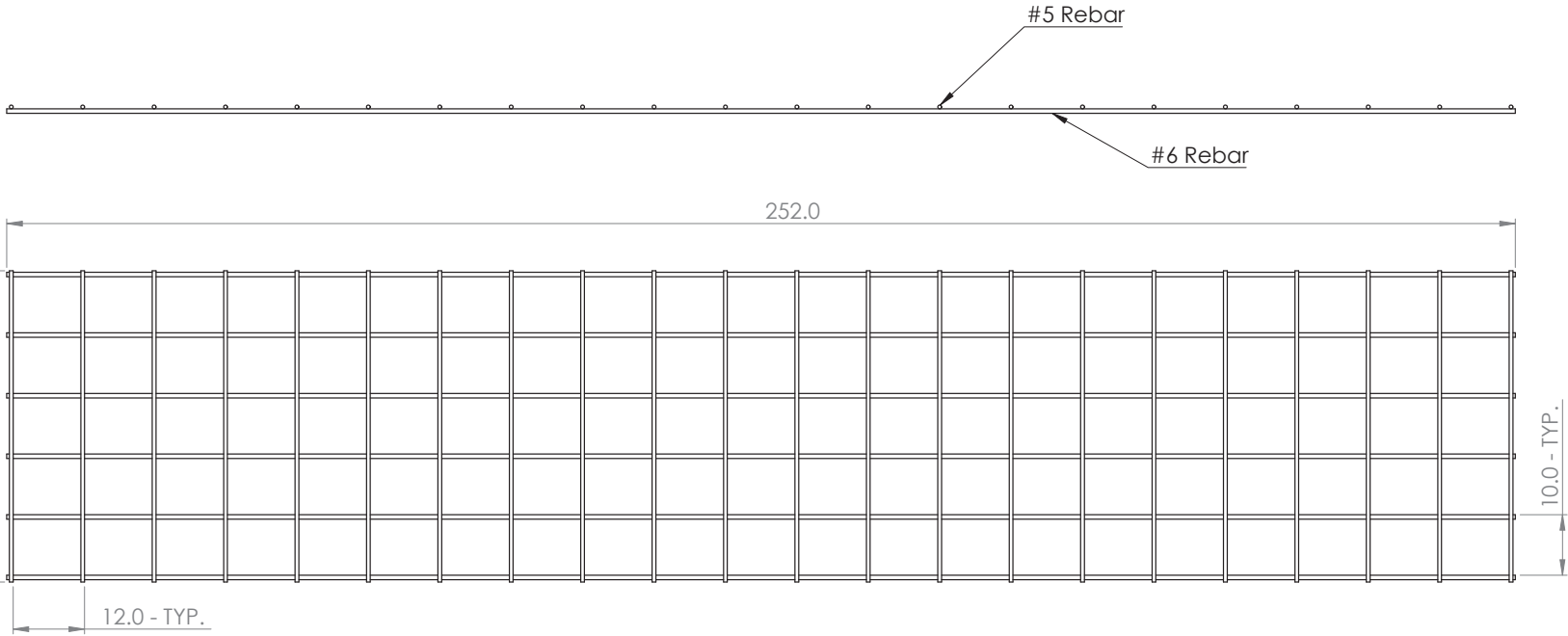
4

3

2

1

ITEM NO.	PART NUMBER	DESCRIPTION	QTY.
1	#6_252.0	#6 Rebar	6
2	#5_52.0	#5 Rebar	22



981 W. 7th Street
 Beaver Dam, KY
 42320
 P 270-363-2238
 F 270-363-2234
 iCastinc.com

DIMENSIONS ARE IN INCHES
 TOLERANCES:
 FRACTIONAL ±
 ANGULAR: MACH ± BEND ±
 DECIMAL ± 0.5"

MATERIAL
 FINISH
 DO NOT SCALE DRAWING

	NAME	DATE
DRAWN	CMJ	8/3/20
CHECKED	JHR	8/3/20
ENG APPR.		
MFG APPR.		
Q.A.		
COMMENTS:		

PROPRIETARY AND CONFIDENTIAL
 THE INFORMATION CONTAINED IN THIS DRAWING IS THE SOLE PROPERTY OF
 INFRASTRUCTURE PRECAST INC. (iCast). ANY REPRODUCTION IN PART OR
 AS A WHOLE WITHOUT THE WRITTEN PERMISSION OF iCast IS PROHIBITED.

SIZE DWG. NO. REV.
B 252_Base_Top Mat
 SCALE: 1:50 WEIGHT: SHEET 1 OF 1

4

3

2

1

B

B

A

A

Job Name: 24-4171 - McKinney Water District Contract 1B Phase 2
 Job Location: Stanford, KY
 Contractor: Frederick and May Construction

Plant: 100
 5/5/2026 8:17:40 PM

Tech: Jared - F
 PC: E. Bradley



Structure ID: METER VAULT - 7

P1 BX4884-06BAVF-FLAT

BOX BASE 6inW, 6inF, Variable Ht F/n

- P3) 36" x 60" - HATCH (CAST FLUSH) - 3"
- P2) 48" x 84" - CB FLAT TOP 6"W w/36"x60" HATCH F/F - 8"
- P1) 48" x 84" - BOX BASE 6inW, 6inF, Variable Ht F/n - 54"
- 1) HATCH (Alum.) - HALLIDAY W1S 36"x60"
- 1) 48" x 84" - Conseal CS-102 1.00" (Double)
- 1) 36" x 60" - Conseal CS-102 1.00" (Double)
- 2) Hole - 6

100 lb
 2417 lb
 10702 lb
 116 lb
 0 lb
 0 lb
 0 lb
 0 lb

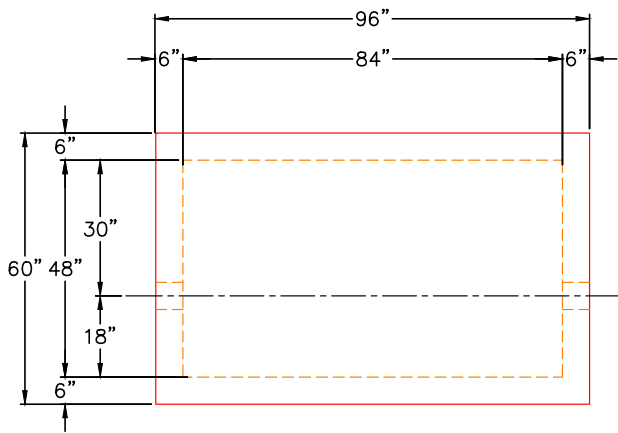
Structure Total: 13334 lb

Structure Notes:

1. PER ASTM C913 SPECIFICATIONS.
2. CONCRETE = 4,000 PSI AT 28 DAYS.
3. NO STEPS AND NO INVERT CHANNEL.
4. HATCH SUPPLIED BY ICAST (HALLIDAY W1S 36"x60").

REINFORCING PER ASTM A615 (GRADE 60).
 - TOP SLAB (As .62) #5 BARS AT 6" C.C.E.W.
 - WALLS (As .12) #5 BARS AT 12" C.C.E.W.
 - FLOOR (As .12) #5 BARS AT 12" C.C.E.W.

Rim: 5.167' Rim to Invert: 4' Slack: 0" Sump: 14" Step Position:

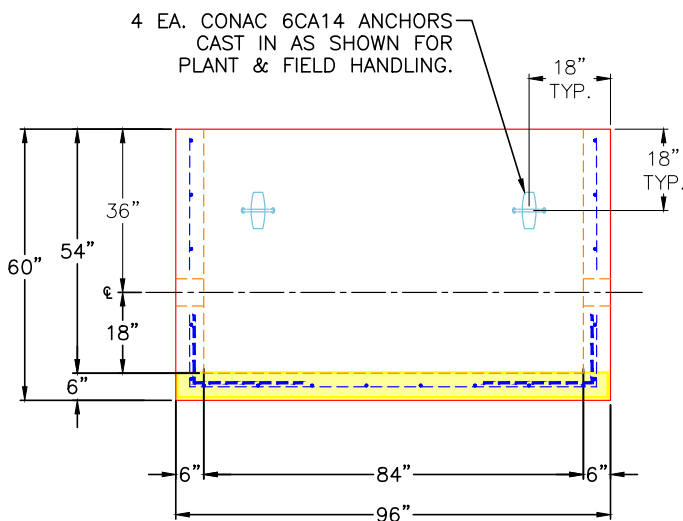


PLAN VIEW

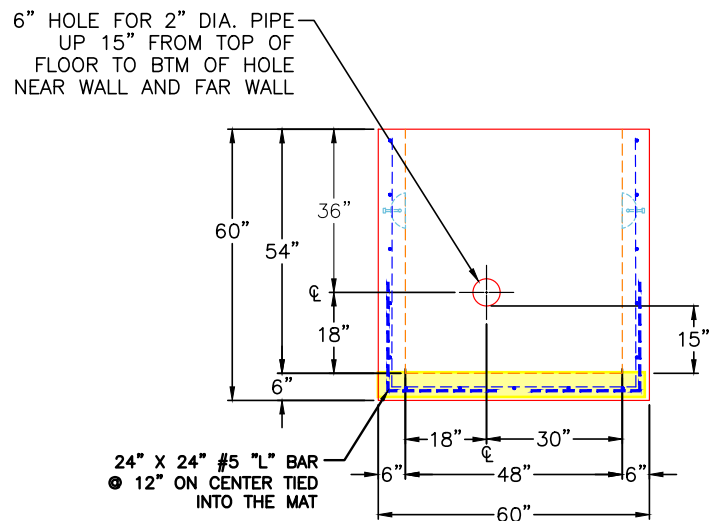
GENERAL NOTES:

1. MANUFACTURED TO ASTM C-913 (LATEST REVISION).
2. CONCRETE: 4,000 PSI AT 28 DAYS.
3. REINFORCING: #5 BAR @ 12" E.W. O.C. (GRADE 60).
4. WEIGHT:
 FIRST POUR - 2,900 LBS.
 SECOND POUR - 7,830 LBS.
 TOTAL - 10,730 LBS.

FIRST POUR DRAWING



FRONT VIEW



RIGHT VIEW

Coating (Int):
 Coating (Ext):

Seam Up: Flat
 Seam Dn: n/a

Wall Thickness: 6"
 Floor Height: 6"

Height (Int): 54"
 Height (Ext): 60"

Weight (Net): 10702 lb
 Volume (Net): 2.73cu.yd

Job Name: 24-4171 - McKinney Water District Contract 1B Phase 2
 Job Location: Stanford, KY
 Contractor: Frederick and May Construction

Plant: 100
 5/5/2026 8:17:40 PM

Tech: Jared - F
 PC: E. Bradley



Structure ID: METER VAULT - 7

P1 BX4884-06BAVF-FLAT

BOX BASE 6inW, 6inF, Variable Ht F/n

- P3) 36" x 60" - HATCH (CAST FLUSH) - 3"
- P2) 48" x 84" - CB FLAT TOP 6"W w/36"x60" HATCH F/F - 8"
- P1) 48" x 84" - BOX BASE 6inW, 6inF, Variable Ht F/n - 54"
- 1) HATCH (Alum.) - HALLIDAY W1S 36"x60"
- 1) 48" x 84" - Conseal CS-102 1.00" (Double)
- 1) 36" x 60" - Conseal CS-102 1.00" (Double)
- 2) Hole - 6

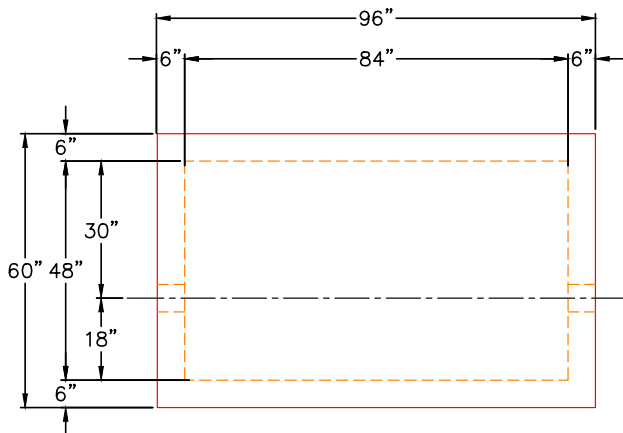
100 lb
 2417 lb
 10702 lb
 116 lb
 0 lb
 0 lb
 0 lb

Structure Total: 13334 lb

- Structure Notes:**
1. PER ASTM C913 SPECIFICATIONS.
 2. CONCRETE = 4,000 PSI AT 28 DAYS.
 3. NO STEPS AND NO INVERT CHANNEL.
 4. HATCH SUPPLIED BY ICAST (HALLIDAY W1S 36"x60").

REINFORCING PER ASTM A615 (GRADE 60).
 - TOP SLAB (As .62) #5 BARS AT 6" C.C.E.W.
 - WALLS (As .12) #5 BARS AT 12" C.C.E.W.
 - FLOOR (As .12) #5 BARS AT 12" C.C.E.W.

Rim: 5.167' Rim to Invert: 4' Slack: 0" Sump: 14" Step Position:

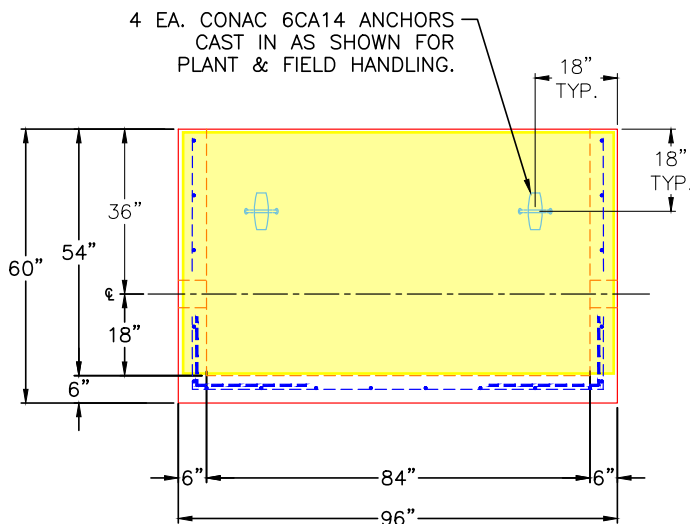


PLAN VIEW

GENERAL NOTES:

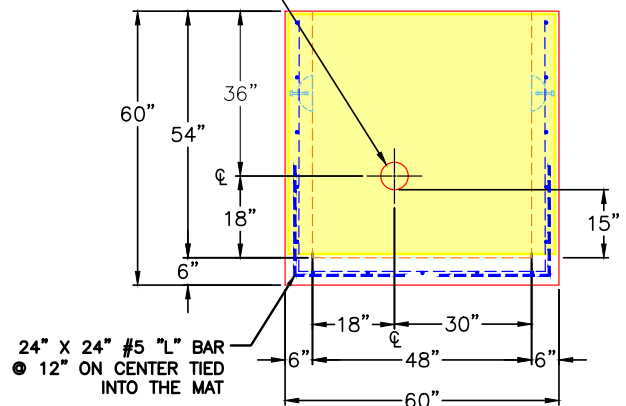
1. MANUFACTURED TO ASTM C-913 (LATEST REVISION).
2. CONCRETE: 4,000 PSI AT 28 DAYS.
3. REINFORCING: #5 BAR @ 12" E.W. O.C. (GRADE 60).
4. WEIGHT:
 FIRST POUR - 2,900 LBS.
 SECOND POUR - 7,830 LBS.
 TOTAL - 10,730 LBS.

SECOND POUR DRAWING



FRONT VIEW

6" HOLE FOR 2" DIA. PIPE
 UP 15" FROM TOP OF
 FLOOR TO BTM OF HOLE
 NEAR WALL AND FAR WALL



RIGHT VIEW

Coating (Int):
 Coating (Ext):

Seam Up: Flat
 Seam Dn: n/a

Wall Thickness: 6"
 Floor Height: 6"

Height (Int): 54"
 Height (Ext): 60"

Weight (Net): 10702 lb
 Volume (Net): 2.73cu.yd

Job Name: 26-2074 - Christian Co. Ball Field Line K
 Job Location: Hopkinsville, KY
 Contractor: Herring Construction, Inc.

Plant: 100

5/8/2026 6:13:58 AM

Tech: J. Horsley

PC: E. Bradley



Structure ID: KST3 JBB

P2 BX024024-08LD08S

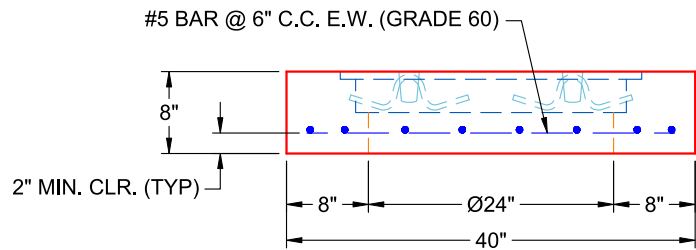
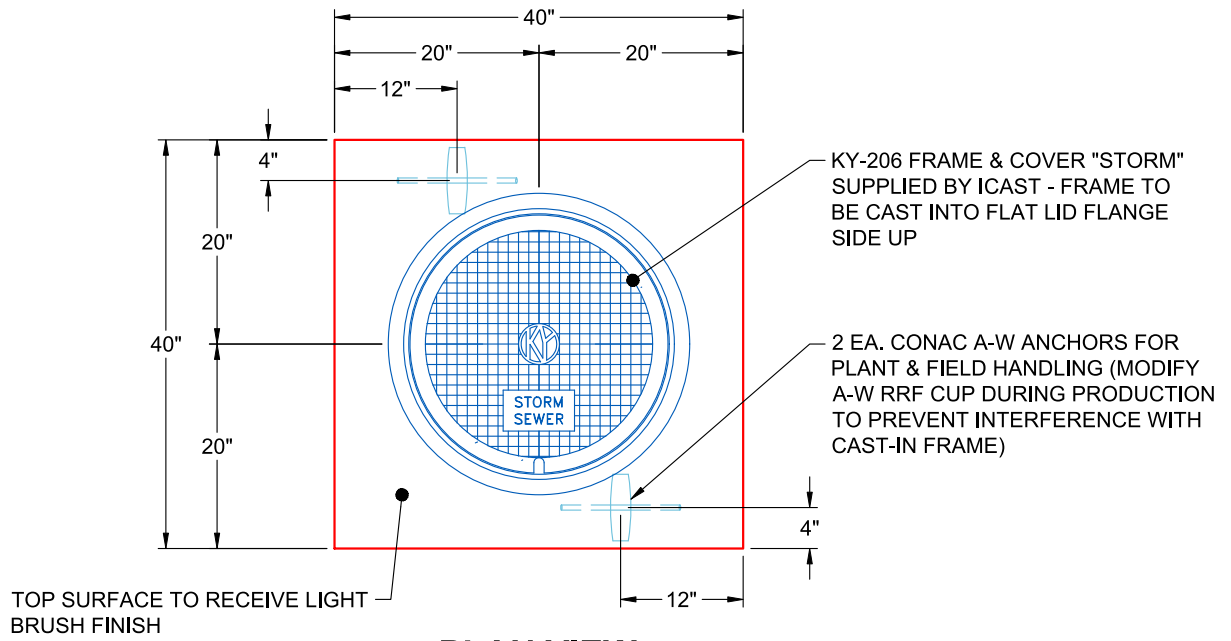
BX FLAT LID 8inW SPEC. (KY-206 CAST IN) F/F

- P3) 23.5" - CASTING (cast in) - 0"
- P2) 24" x 24" - BX FLAT LID 8inW SPEC. (KY-206 CAST IN) F/F - 8"
- P1) 24" x 24" - BOX BASE 8inW, 8inF, Variable Ht F/n - 51"
- 1) This Structure Includes a Cast-in Item - HOE KY-206 Frame (Supplied by iCast)
- 1) CASTING - HOE KY-206 F/C (KY TY1)
- 1) 24" x 24" - Conseal CS-102 1.00"
- 1) Hole - 24
- 1) Hole - 18
- 1) Hole - 20

0 lb
 925 lb
 4847 lb
 0 lb
 206 lb
 0 lb
 0 lb
 0 lb
 0 lb
 0 lb

 Structure Total: 5978 lb

- Structure Notes:**
1. PER KYTC JB TY B / ASTM C-913 SPECIFICATIONS
 2. CONCRETE: 4,000 PSI AT 28 DAYS
 3. REINFORCEMENT: #5 BAR @ 6" C.C. E.W. (GRADE 60) - 2" MIN. REBAR CLEARANCE (TYP)
 4. HOE KY-206 FRAME & COVER "STORM" SUPPLIED BY ICAS - FRAME TO BE CAST INTO FLAT LID FLANGE SIDE UP
 5. LIFTERS: 2 EA. CONAC A-W ANCHORS FOR PLANT & FIELD HANDLING - INSTALLED AS SHOWN
 6. TOP SURFACE TO RECEIVE LIGHT BRUSH FINISH



Coating (Int): Coating (Ext):	Seam Up: Flat Seam Dn: Flat	Wall Thickness: 8"	Height (Ext): 8"	Weight (Net): 925 lb Volume (Net): 0.24cu.yd
----------------------------------	--------------------------------	--------------------	------------------	---

Job Number:

26-2074

Job Name:

Christian Co. Ball Field Line K

Structure:

KST3 JBB

Note:

HOE KY-206 Frame Supplied By
iCast To Be Cast Into Flat Lid Flange
Side Up

Job Name: 26-2074 - Christian Co. Ball Field Line K
 Job Location: Hopkinsville, KY
 Contractor: Herring Construction, Inc.

Plant: 100

Tech: J. Horsley

5/8/2026 6:13:57 AM

PC: E. Bradley



Structure ID: KST2 ST-DBI

P2 BX024036-08LD08S

BX FLAT LID 8inW w/HOE 280T CAST IN F/F

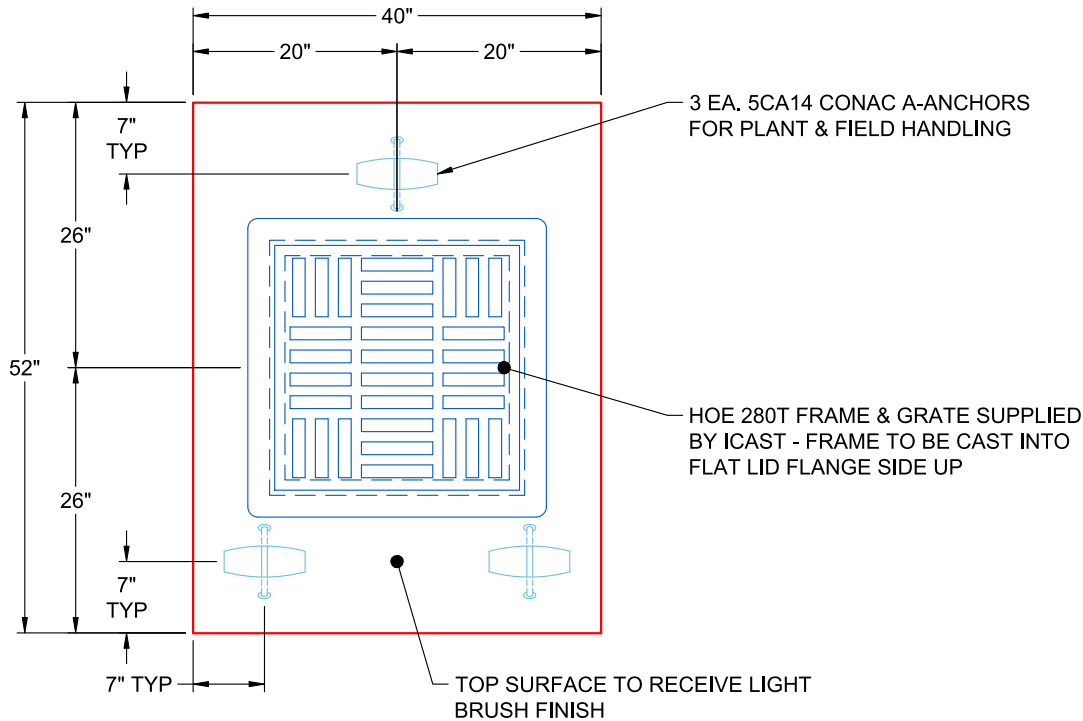
- P3) 24" x 24" - CASTING HEIGHT - 0"
- P2) 24" x 36" - BX FLAT LID 8inW w/HOE 280T CAST IN F/F - 8"
- P1) 24" x 36" - BOX BASE 8inW, 8inF, Variable Ht F/n - 51"
- 1) This Structure Includes a Cast-in Item - HOE 280T Frame (Supplied by iCast)
- 1) CASTING - HOE 280T F/G
- 1) 24" x 36" - Conseal CS-102 1.00"
- 2) Hole - 24

- 0 lb
- 1205 lb
- 6002 lb
- 0 lb
- 182 lb
- 0 lb
- 0 lb
- 0 lb

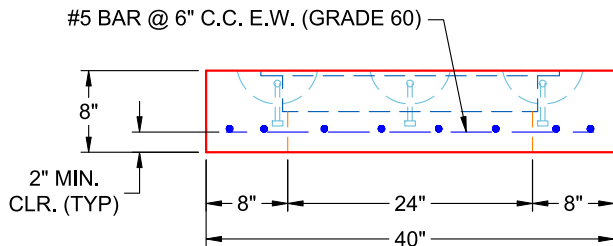
Structure Total: 7389 lb

Structure Notes:

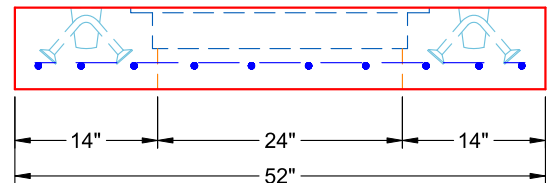
1. PER ASTM C-913 SPECIFICATIONS
2. CONCRETE: 4,000 PSI AT 28 DAYS
3. REINFORCEMENT: #5 BAR @ 6" C.C. E.W. (GRADE 60) - 2" MIN. REBAR CLEARANCE (TYP)
4. HOE 280T FRAME & GRATE SUPPLIED BY ICAS - FRAME TO BE CAST INTO FLAT LID FLANGE SIDE UP
5. LIFTERS: 3 EA. 5CA14 CONAC A-ANCHORS FOR PLANT & FIELD HANDLING - INSTALLED AS SHOWN
6. TOP SURFACE TO RECEIVE LIGHT BRUSH FINISH



**PLAN VIEW
(RIGHT SIDE UP)**



**FRONT VIEW
(RIGHT SIDE UP)**



**SIDE VIEW
(RIGHT SIDE UP)**

Coating (Int):
Coating (Ext):

Seam Up: Flat
Seam Dn: Flat

Wall Thickness: 8"

Height (Ext): 8"

Weight (Net): 1205 lb
Volume (Net): 0.31cu.yd

Job Number:

26-2074

Job Name:

Christian Co. Ball Field Line K

Structure:

KST2 ST-DBI

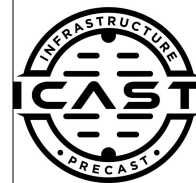
Note:

HOE 280T Frame Supplied By iCast
To Be Cast Into Flat Lid Flange Side
Up

Job Name: 25-4299 - Seneca High School
 Job Location: Louisville, KY
 Contractor: Dan Cristiani Excavating Co. Inc.

Plant: 100
 2/17/2026 10:39:14 AM

Tech: J. Horsley
 PC: J. Jarvis



Structure ID: H9

P2 BX024024-06LD08S

CB FLAT TOP 8"W w/24" F/G F/F

- P3) 24" - CASTING HEIGHT - 0"
- P2) 24" x 24" - CB FLAT TOP 8"W w/24" F/G F/F - 6"
- P1) 24" x 24" - BOX BASE 8inW, 8inF, Variable Ht F/n - 19"
- 1) CASTING - HOE MCS-260B F/G
- 1) This Structure Includes a Cast-in Item - HOE MCS-260B Flange Side Up
- 1) 24" x 24" - Conseal CS-102 1.00"
- 1) Hole - 14
- 1) Hole - 6

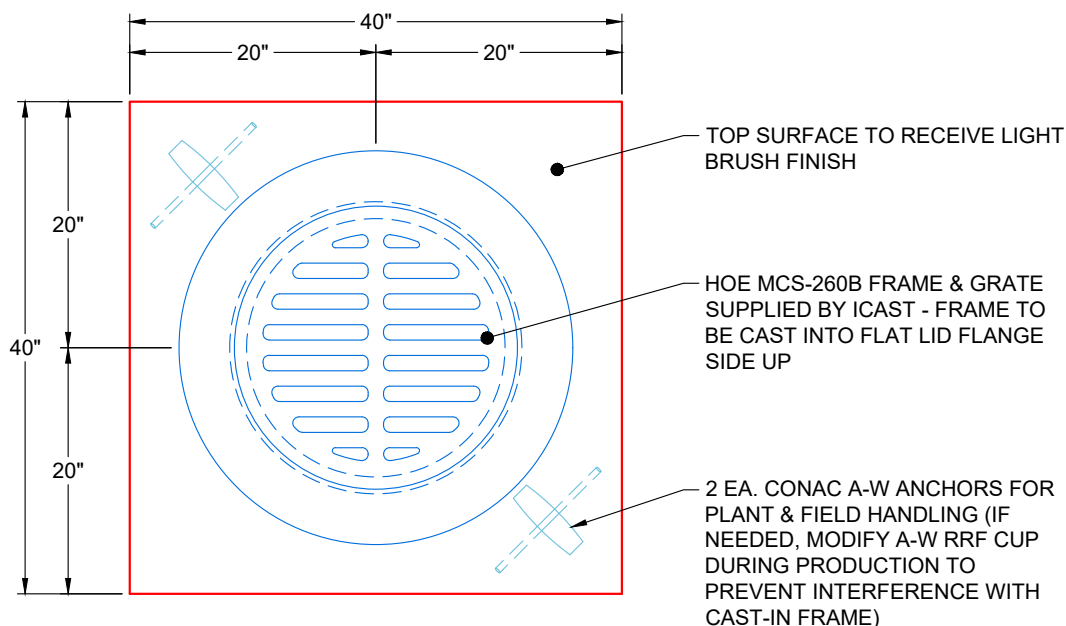
0 lb
 750 lb
 2584 lb
 0 lb
 0 lb
 0 lb
 0 lb
 0 lb

 3334 lb

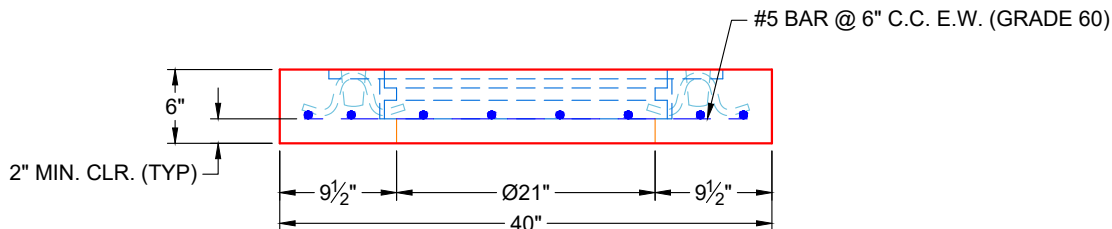
Structure Total:

Structure Notes:

1. PER LOUISVILLE MSD / ASTM C-913 SPECIFICATIONS
2. CONCRETE: 4,000 PSI AT 28 DAYS
3. REINFORCEMENT: #5 BAR @ 6" C.C. E.W. (GRADE 60) - 2" MIN. REBAR CLEARANCE (TYP)
4. HOE MCS-260B FRAME & GRATE SUPPLIED BY ICAST - FRAME TO BE CAST INTO FLAT LID FLANGE SIDE UP
5. LIFTERS: 2 EA. CONAC A-W ANCHORS FOR PLANT & FIELD HANDLING
6. TOP SURFACE TO RECEIVE LIGHT BRUSH FINISH



PLAN VIEW
(RIGHT SIDE UP)



FRONT VIEW
(RIGHT SIDE UP)

Coating (Int):
 Coating (Ext):

Seam Up: Flat
 Seam Dn: Flat

Wall Thickness: 8"

Height (Ext): 6"

Weight (Net): 578 lb
 Volume (Net): 0.15cu.yd

Job Number:

25-4299

Job Name:

Dan Cristiani Excavating Co. Inc.

Structure:

H9

Note:

HOE MCS-260B Frame Supplied By
iCast To Be Cast Into Flat Lid
Flange Side Up