

Job Name: 26-1232 - Mustang Village Apartments Ph.1  
 Job Location: Paducah, KY  
 Contractor: Wood Brothers

Plant: 100  
 4/21/2026 8:03:21 PM

Tech: Jared - F  
 PC: T. Lewis



**Structure ID: S33-33 ST-DBI**

**P1 BX2424-08BAVF**

**BOX BASE 8inW, 8inF, Variable Ht F/n**

- P2) 24" x 24" - CASTING HEIGHT - 0"
- P1) 24" x 24" - BOX BASE 8inW, 8inF, Variable Ht F/n - 34"
- 1) CASTING - HOE HOE-315 ANGLE F/G
- 1) 24" x 24" - Conseal CS-102 1.00"
- 2) Hole - 20

0 lb  
 3526 lb  
 258 lb  
 0 lb  
 0 lb  
 -----  
 0 lb  
 Structure Total: 3784 lb

- Structure Notes:**
1. PER ASTM C913 SPECIFICATIONS.
  2. CONCRETE = 4,000 PSI AT 28 DAYS.
  3. NO STEPS AND NO INVERT CHANNEL.
  4. CASTING BY ICAST (HOE-315 ANGLE F/G)

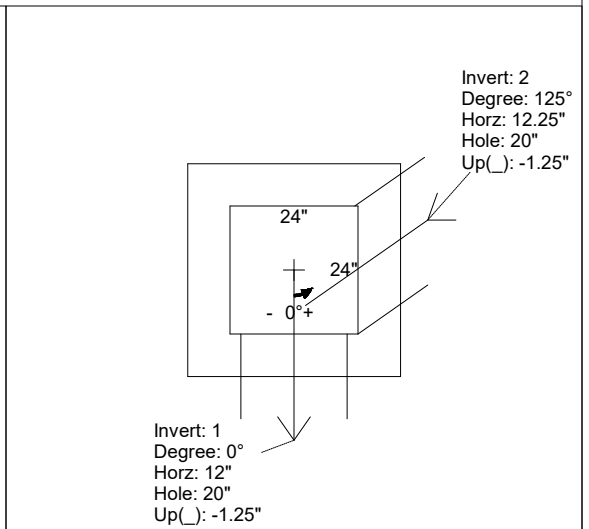
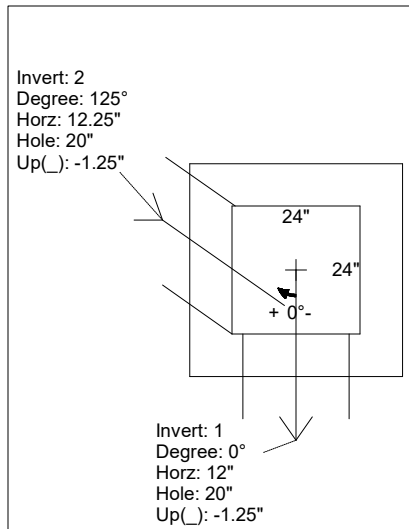
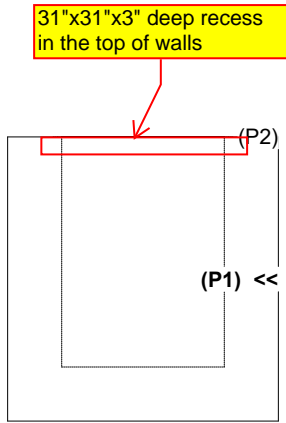
REINFORCING PER ASTM A615 (GRADE 60).  
 - WALLS (As .12) #5 BARS AT 12" C.C.E.W.  
 - FLOOR (As .12) #5 BARS AT 12" C.C.E.W.

Rim: 382.62' Rim to Invert: 2.9' Slack: 0.8" Sump: 0" Step Position:

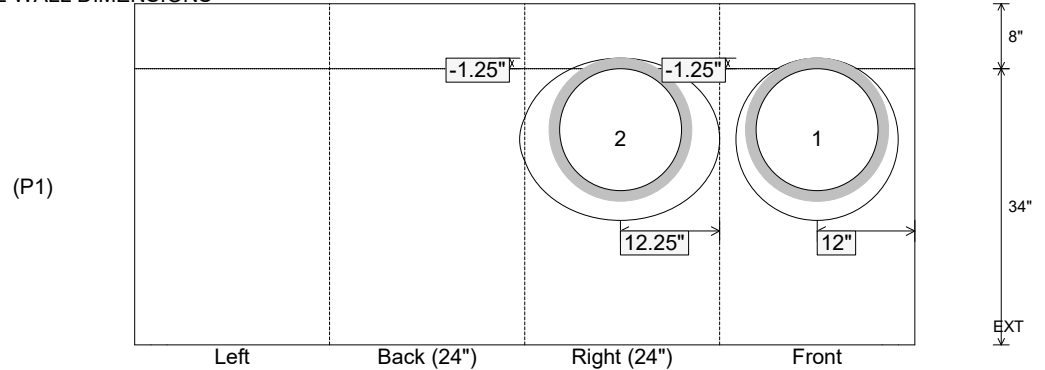
| Position | Elev    | Angle | Ext. (cw) | Pipe     | Pipe OD | Connector | Hole | Horz Size     | Up ( ) | Offset  |
|----------|---------|-------|-----------|----------|---------|-----------|------|---------------|--------|---------|
| Invert 1 | 379.72' | 0°    | 20"       | 15" HDPE | 17.6"   | Hole 20   | 20"  | 20"           | -1.25" | 0"      |
| Invert 2 | 379.72' | 125°  | 25.875"   | 15" HDPE | 17.6"   | Hole 20   | 20"  | 23.995", 0.6" | -1.25" | -6.709" |
| Invert 3 |         |       |           |          |         |           |      |               |        |         |
| Invert 4 |         |       |           |          |         |           |      |               |        |         |
| Invert 5 |         |       |           |          |         |           |      |               |        |         |
| Invert 6 |         |       |           |          |         |           |      |               |        |         |
| Invert 7 |         |       |           |          |         |           |      |               |        |         |
| Invert 8 |         |       |           |          |         |           |      |               |        |         |

RIGHT-SIDE UP VIEW (int. dimensions)

UPSIDE-DOWN VIEW (int. dimensions)



INSIDE WALL DIMENSIONS



Coating (Int):  
 Coating (Ext):

Seam Up: Flat  
 Seam Dn: n/a

Wall Thickness: 8"  
 Floor Height: 8"

Height (Int): 34"  
 Height (Ext): 42"

Weight (Net): 3526 lb  
 Volume (Net): 0.9cu.yd