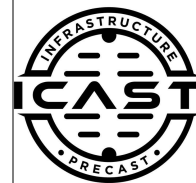


Job Name: 26-2274 900555 Little Caesar Pizza Harrisonville
 Job Location: Harrisonville, MO
 Contractor: Contech Engineering Solutions

Plant: Beaver Dam
 5/8/2026 10:35:16 AM

Tech: S. Felletter
 PC: C. Goff



Structure ID: 10-CS-4

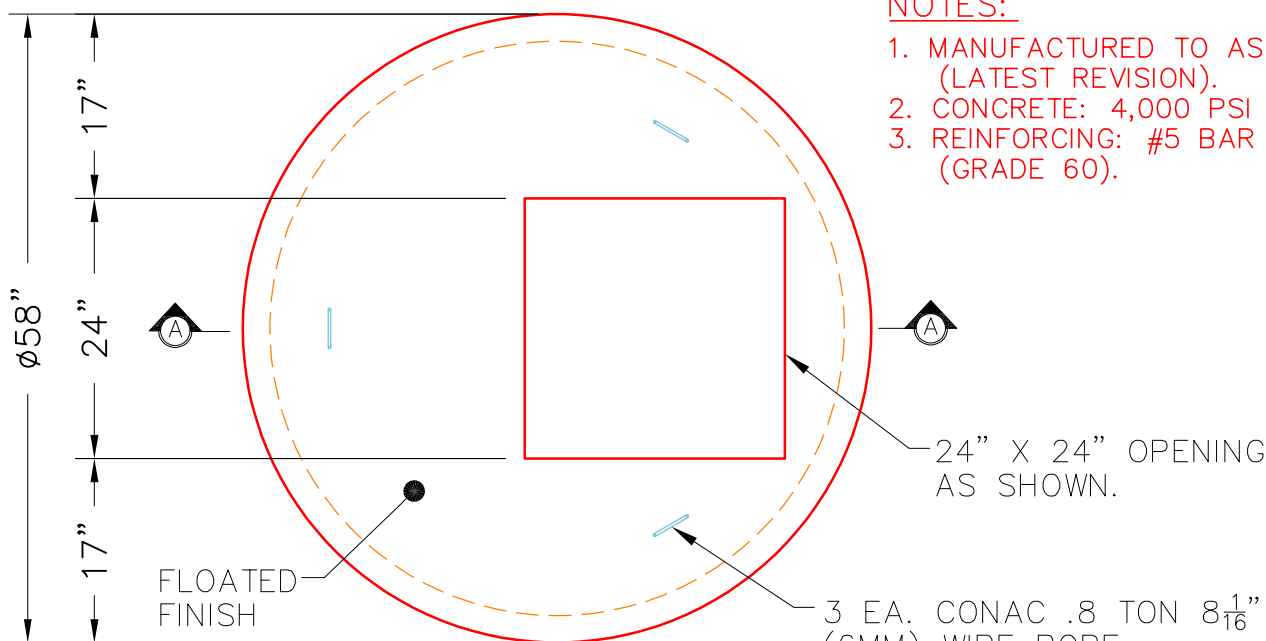
P3 MH048LD12-24SQ

MH FLAT TOP w/24"x24" Hole F/G

- P4) 24" x 24" - CASTING HEIGHT - 4"
- P3) 48" - MH FLAT TOP w/24"x24" Hole F/G - 12"
- P2) 48" - MH RISER Custom Ht T/G - 59"
- P1) 48" - MH BASE T/n - 36"
- 1) ASSEMBLY REQUIRED
- 1) CVSTENCILING
- 2) 48" - Conseal CS-102 1.00"
- 1) 24" x 24" - Conseal CS-102 1.00"
- 1) Hole - 24"

	0 lb
	1500 lb
	3924 lb
	3845 lb
	0 lb
	0 lb
	0 lb
	0 lb
	0 lb
	0 lb
Structure Total:	9270 lb

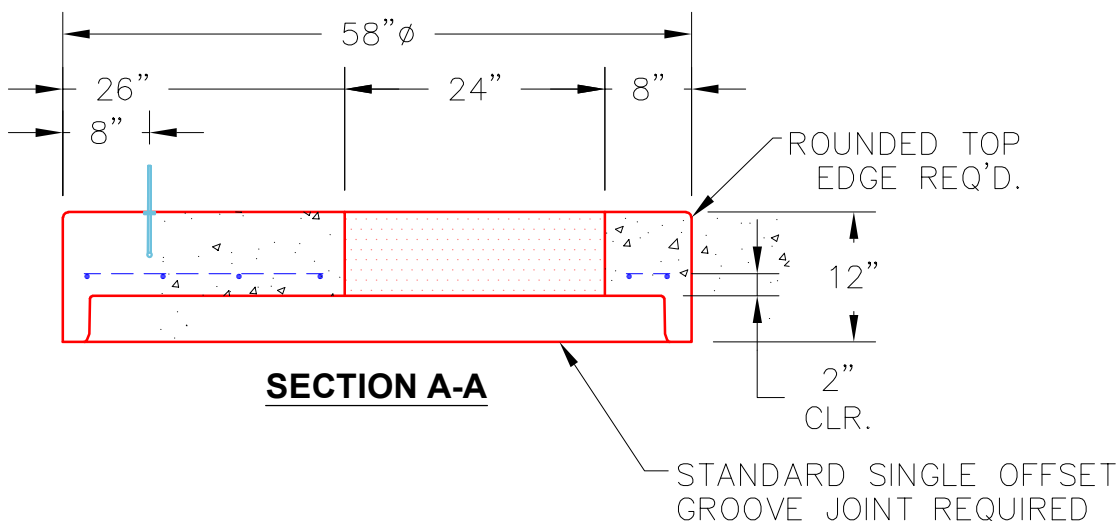
Structure Notes:
 4" CASTING BY OTHERS
 LIFTING ANCHORS TO BE INSTALLED ON THE OUTSIDE OF THE STRUCTURE
 ICAST TO INSTALL THE INTERNALS
 CONTECH'S LOGO AS WELL AS THE INLET AND OUTLET MUST BE STENCILED ONTO THE STRUCTURE
 BASE AND RISER TO BE MECHANICALLY ATTACHED PRIOR TO INSTALL OF INTERNALS



NOTES:

1. MANUFACTURED TO ASTM C-478 (LATEST REVISION).
2. CONCRETE: 4,000 PSI AT 28 DAYS.
3. REINFORCING: #5 BAR @ 6" C.C. E.W. (GRADE 60).

PLAN VIEW



SECTION A-A

Coating (Int):
 Coating (Ext):

Seam Up: Flat
 Seam Dn: Groove

Wall Thickness: 5"

Height (Ext): 12"

Weight (Net): 1500 lb
 Volume (Net): 0.37cu.yd