

Job Name: 25-1137B - East Bank Regional Pump Station
 Job Location: Nashville, TN
 Contractor: Garney Companies, Inc.

Plant: Beaver Dam

Tech: J. Coppage

5/12/2026 10:28:01 AM

PC: J. Jarvis



Structure ID: Bypass Vault

P3 CTS-X

BX FLAT LID 8inW w/ XYPEX AND 2 HATCHES

- P4) 42" x 42" - HATCH (CAST FLUSH) - 3"
- P3) 72" x 108" - BX FLAT LID 8inW w/ XYPEX AND 2 HATCHES - 8"
- P2) 72" x 108" - BOX RISER 8inW, Variable Ht w/Xypex FTB - 97"
- P1) 72" x 108" - P.I.P. BY OTHERS - BTM SLAB - 0"
- 2) DOGHOUSE - 26"x26"

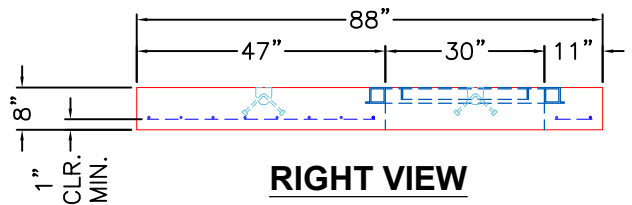
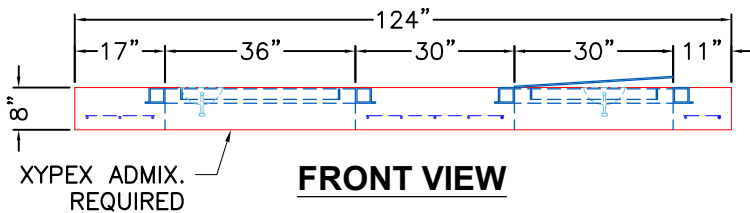
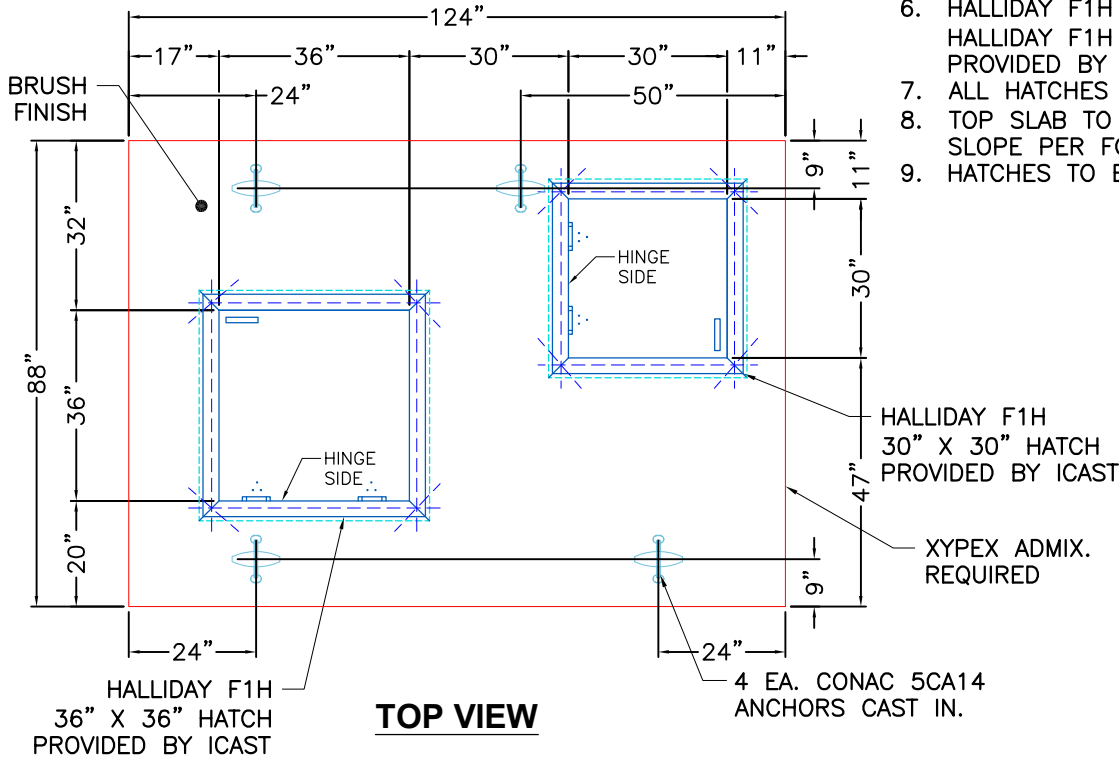
100 lb
 5536 lb
 24342 lb
 0 lb
 0 lb

 Structure Total: 29978 lb

- Structure Notes:
1. MANUFACTURED TO ASTM C-913 (LATEST REVISION).
 2. CONCRETE: 4,500 PSI AT 28 DAYS.
 3. XYPEX ADMIXTURE REQUIRED.
 4. REINFORCING: PER ASTM A615 (GRADE 60).
 5. HALLIDAY F1H 36" X 36" HATCH AND HALLIDAY F1H 30" X 30" HATCH PROVIDED BY ICAST.
 6. ALL HATCHES TO HAVE FALL PROTECTION.
 7. TOP SLAB TO HAVE MINIMUM 1/4" CROWNED SLOPE PER FOOT AND A BRUSH FINISH.
 8. HATCHES TO BE CAST IN TOP SLAB.

GENERAL NOTES:

1. MANUFACTURED TO ASTM C-913 (LATEST REVISION).
2. CONCRETE: 4,500 PSI AT 28 DAYS.
3. XYPEX ADMIXTURE REQUIRED.
4. REINFORCING: USE REINFORCEMENT DESIGN PROVIDED BY MATT CHILDS ENGINEERING. PER ASTM A615 (GRADE 60).
5. WEIGHT: 5,851 LBS.
6. HALLIDAY F1H 36" X 36" HATCH AND HALLIDAY F1H 30" X 30" HATCH PROVIDED BY ICAST.
7. ALL HATCHES TO HAVE FALL PROTECTION.
8. TOP SLAB TO HAVE MINIMUM 1/4" CROWNED SLOPE PER FOOT AND A BRUSH FINISH.
9. HATCHES TO BE CAST IN TOP SLAB.



Coating (Int):
 Coating (Ext):

Seam Up: Flat
 Seam Dn: Flat

Wall Thickness: 8"

Height (Ext): 8"

Weight (Net): 5536 lb
 Volume (Net): 1.41cu.yd

Job Name: 25-1137B - East Bank Regional Pump Station
 Job Location: Nashville, TN
 Contractor: Garney Companies, Inc.

Plant: Beaver Dam

Tech: J. Coppage

5/12/2026 10:28:01 AM

PC: J. Jarvis



Structure ID: Bypass Vault

P3 CTS-X

BX FLAT LID 8inW w/ XYPEX AND 2 HATCHES

REINFORCING STEEL SCHEDULE

MARK	NO.	LENGTH	TYPE	AREA	TOTAL LB
5A	15	7'-1"	STR.	7.3879	110,8185
5B	9	10'-1"	STR.	10.5169	94,6521
5C	16	19'-0" (2)	BENT	19.817	634,444
5D	34	7'-10"	STR.	8.1702	277,7857

REINFORCING STEEL SCHEDULE

MARK NO. LENGTH TYPE AREA TOTAL LB

5A 15 7'-1" STR. 7.3879 110,8185

5B 9 10'-1" STR. 10.5169 94,6521

5C 16 19'-0" (2) BENT 19.817 634,444

5D 34 7'-10" STR. 8.1702 277,7857

REVISIONS

NO.	DATE	DESCRIPTION
1	10/20/08	

SCALE: 3/8" = 1'

DRAWN BY: MBL

DATE: 10/20/08

BY: 11/11/17

EAST REGIONAL BANK PUMP STATION

GARNEY COMPANIES INC

6'-0" X 9'-0"

BYPASS VAULT

MATT CHILDS ENGINEERING PLLC
 518 S. INTERSTATE 40 WEST
 ROCKWELL, TN 37087

BPV

PLAN VIEW

5A (#5@12" O.C.)

5B (#5@12" O.C.)

5C (#5@8" O.C.)

5D (#5@12" O.C.)

36" x 36"

30" x 30"

9'-0"

8'-0"

RIGHT VIEW

5A

5B

5C

5D

8'-0"

6'-0"

1" CLR

3" CLR

8"

FRONT VIEW

5A

5B

5C

5D

8'-0"

9'-0"

1" CLR

3" CLR

8"

DESIGN NOTE:

HS20 LOADING - ASTM C857
 CONCRETE 28 DAY COMPRESSIVE STRENGTH - 4500 PSI
 REINFORCEMENT STEEL - 60,000 PSI
 REBAR MIN SPACING 4#4 @ 24" O.C. MIN. MAX. SPACING 48" O.C.
 PLACE 1/4" BAR DIAGONAL AROUND OPENINGS

STEEL REINFORCEMENT SHOWN BELOW SHALL BE CUT AS REQUIRED FOR WALL PENETRATIONS AND PRECAST JOINT LOCATIONS. PLEASE NOTE: DUE TO PRECAST PRODUCTION CONSTRAINTS, NO REINFORCING WILL BE CONTINUOUS ACROSS PRECAST JOINTS.

Coating (Int): Coating (Ext):	Seam Up: Flat Seam Dn: Flat	Wall Thickness: 8"	Height (Ext): 8"	Weight (Net): 5536 lb Volume (Net): 1.41cu.yd
----------------------------------	--------------------------------	--------------------	------------------	--