

Job Name: 26-1228 - L&N Federal Credit Union
 Job Location: Louisville, KY 40243
 Contractor: H & W Landworks

Plant: 100

5/6/2026 12:05:18 PM

Tech: Jared - A

PC: T. Lewis



Structure ID: S-1-2 SCI

P1 MH048BAVF

MH BASE Custom Ht F/n

- P3) 24" x 30" - CASTING HEIGHT - 6"
- P2) 48" - MH FLAT TOP w/24"x30" Hole LOU-MSD F/F - 7"
- P1) 48" - MH BASE Custom Ht F/n - 27"
- 1) CASTING - HOE 360 L Vane Set (F/G/H)
- 1) 48" - Conseal CS-102 1.00"
- 1) 24" x 30" - Conseal CS-102 1.00"
- 2) Hole - 18

0 lb
 1129 lb
 2998 lb
 362 lb
 0 lb
 0 lb
 0 lb

 4489 lb

Structure Total: 4489 lb

Structure Notes:

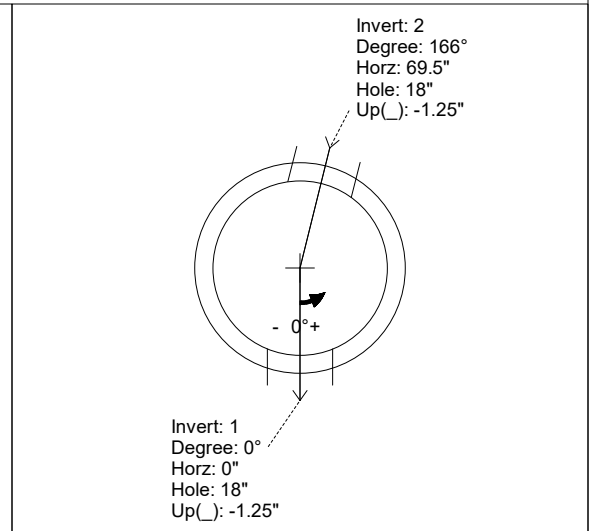
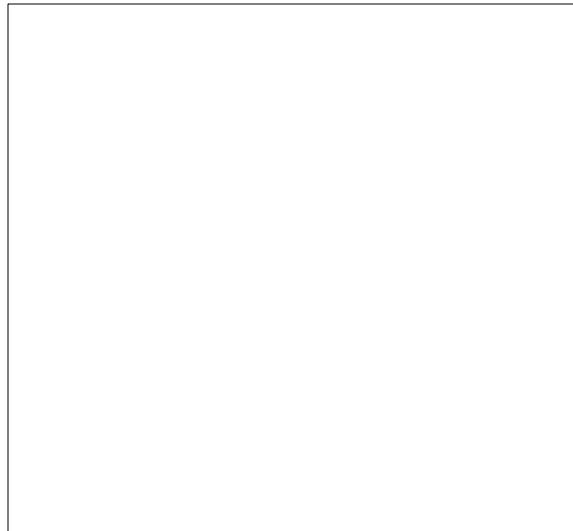
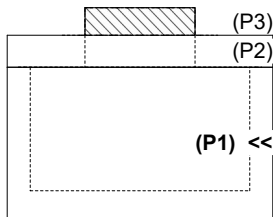
1. PER LOUISVILLE MSD / ASTM C-913 SPECS
2. CONCRETE: 4,000 PSI AT 28 DAYS
3. REINFORCEMENT: PER ASTM A615
4. NO STORM INVERT
5. NO STEPS
6. HOE 360 FRAME, L-VANE GRATE, & CURB HOOD SUPPLIED BY ICAST

Rim: 745.4' Rim to Invert: 3.46' Slack: 1.52' Sump: 0' Step Position:

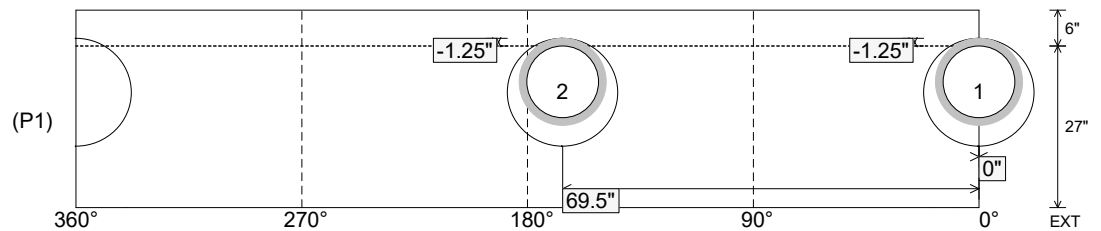
Position	Elev	Angle	Ext. (cw)	Pipe	Pipe OD	Connector	Hole	Horz Size	Up ()	Offset
Invert 1	741.94'	0°	0"	12" ADS N-12	14.5"	Hole 18	18"	18.451"	-1.25"	0"
Invert 2	741.94'	166°	84"	12" ADS N-12	14.5"	Hole 18	18"	18.451"	-1.25"	0"
Invert 3										
Invert 4										
Invert 5										
Invert 6										
Invert 7										
Invert 8										

RIGHT-SIDE UP VIEW (int. dimensions)

UPSIDE-DOWN VIEW (int. dimensions)



INSIDE WALL DIMENSIONS



Coating (Int):
 Coating (Ext):

Seam Up: Flat
 Seam Dn: n/a

Wall Thickness: 5"
 Floor Height: 6"

Height (Int): 27"
 Height (Ext): 33"

Weight (Net): 2998 lb
 Volume (Net): 0.77cu.yd