

Structure ID: D SS-MH

P1 MH048BA24CDARED

MH BASE w/ConBlock-CDA Red T/n

P3) 24" - CASTING HEIGHT - 7" P2) 48" - ECC CONE w/ 24" HOLE, w/ConBlock-CDA Red F/G - 30" P1) 48" - MH BASE w/ConBlock-CDA Red T/n - 24" 1) JOINT WRAP - 0.065"x12"x50' CONSEAL CS212 1) JOINT WRAP PRIMER - CONSEAL CS-75 (1 gal.) 1) 48" - MH INVERT CHANNEL w/ConBlock-CDA Red - FULL HEIGHT 1) CASTING - HOE MC-315 F/C Sanitary 1) 48" - Conseal CS-102 1.00" (Double) 1) 24" - Conseal CS-102 1.00" (Double) 2) PSX - 12-08 NYLO 5) MH Step ML-10-TDS-NCR - 10"	0 lb 1961 lb 2911 lb 0 lb 0 lb 1440 lb 258 lb 0 lb 0 lb 16 lb 0 lb ----- Structure Total: 6586 lb
--	---

Structure Notes:

1. PER ASTM C478 SPECIFICATIONS.
2. CONCRETE = 4,000 PSI AT 28 DAYS.
3. ADMIXTURE = CONBLOCK CDA RED.
4. CASTING BY OTHERS (HOE MC-315 F/C SANITARY)

REINFORCING PER ASTM A615 (GRADE 60).

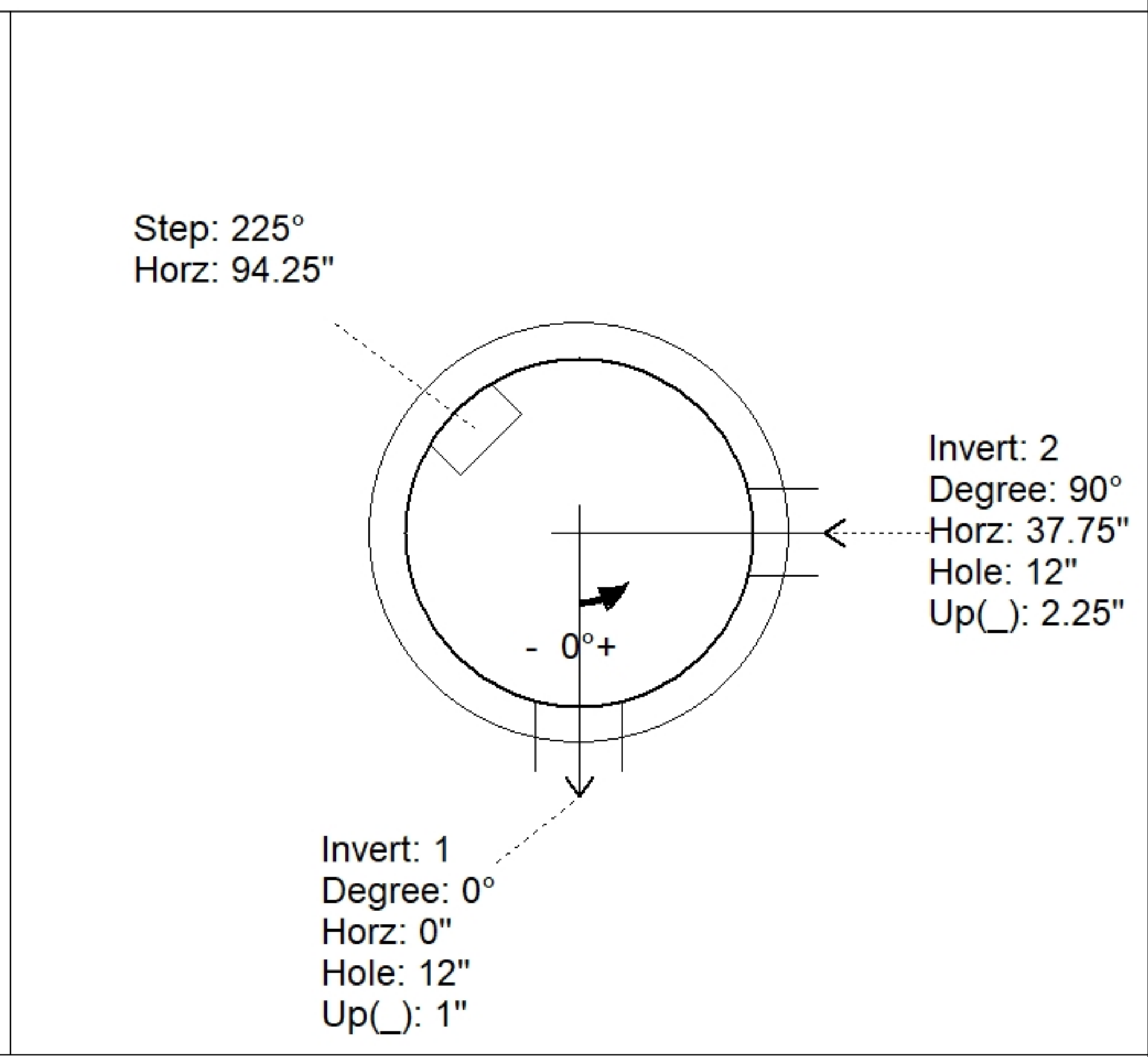
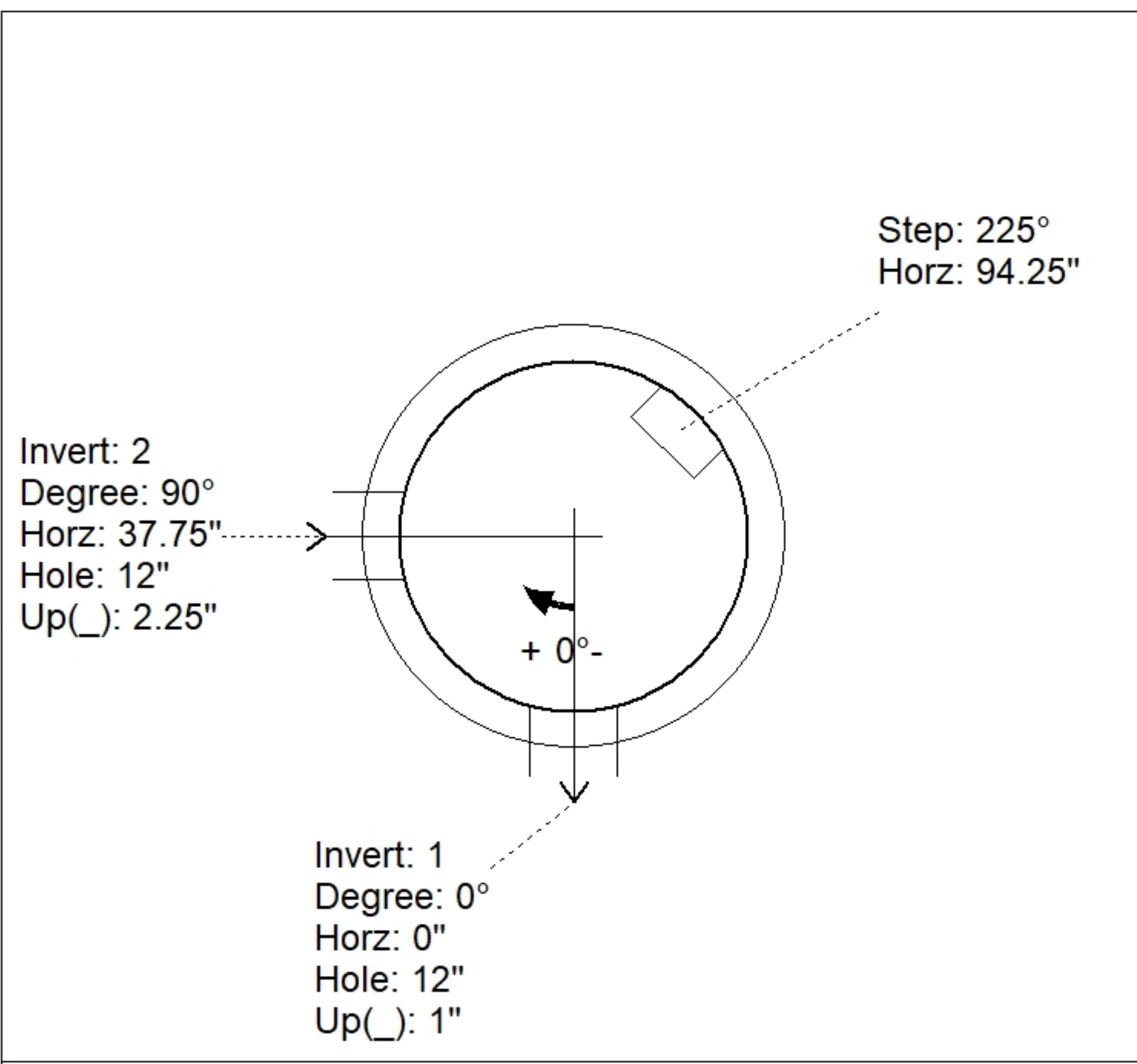
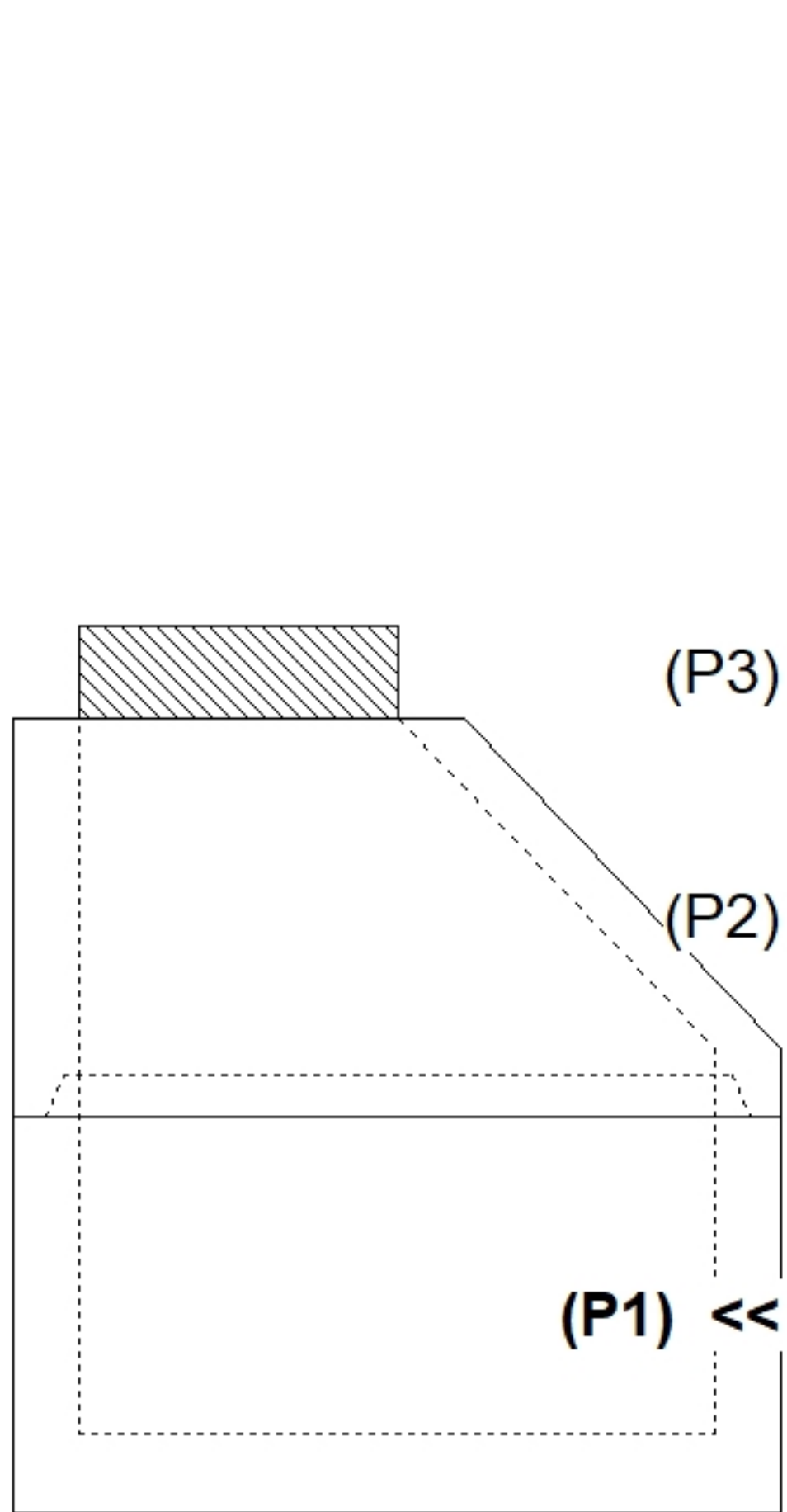
- CONE (As .12)
- RISER/WALLS (As .12)
- FLOOR (As .31) #5 BARS AT 12" C.C.E.W.

Rim: 736.2' Rim to Invert: 5' Slack: 2" Sump: 3" Step Position: 225°

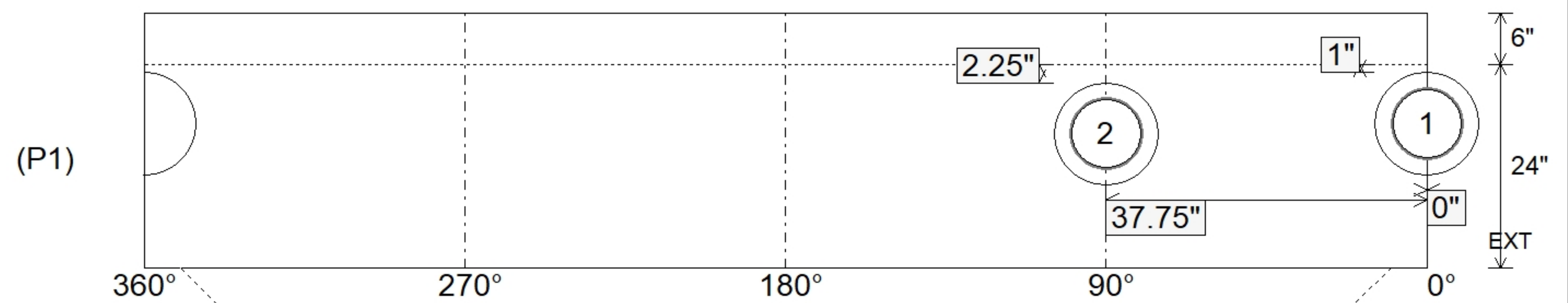
Position	Elev	Angle	Ext. (cw)	Pipe	Pipe OD	Connector	Hole	Horz Size	Up ()	Offset
Invert 1	731.2'	0°	0"	8" PVC SDR26	8.5"	PSX 12-08 NYLO	12"	12.129"	1"	0"
Invert 2	731.3'	90°	45.5"	8" PVC SDR26	8.5"	PSX 12-08 NYLO	12"	12.129"	2.25"	0"
Invert 3										
Invert 4										
Invert 5										
Invert 6										
Invert 7										
Invert 8										

RIGHT-SIDE UP VIEW (int. dimensions)

UPSIDE-DOWN VIEW (int. dimensions)



INSIDE WALL DIMENSIONS



Coating (Int):	Seam Up: Tongue	Wall Thickness: 5"	Height (Int): 24"
Coating (Ext):	Seam Dn: n/a	Floor Height: 6"	Height (Ext): 30"
		Weight (Net): 2911 lb	
		Volume (Net): 0.74cu.yd	