

Job Name: 26-1952 - HCWD 2 Fire Station Sanitary Sewer Extension  
 Job Location: Glendale, KY  
 Contractor: Phillips Bros. Construction, LLC

Plant: 100

Tech: J. Horsley

5/27/2026 10:49:03 AM

PC: T. Ryan



**Structure ID: A SS-MHD**

**P3 MH048RS36SCDARED**

**MH RISER w/DROP/ConBlock-CDA Red T/G**

- P6) 24" - CASTING HEIGHT - 7"
- P5) 24" - GRADE RING w/ConBlock-CDA Red F/F - 4"
- P4) 48" - MH FLAT TOP w/24" Hole ECC w/ConBlock-CDA Red F/G - 12"
- P3) 48" - MH RISER w/DROP/ConBlock-CDA Red T/G - 36"
- P2) 48" - MH RISER w/DROP/ConBlock-CDA Red T/G - 48"
- P1) 48" - MH BASE w/DROP/ConBlock-CDA Red T/n - 30"
- 1) JOINT WRAP - 0.065"x12"x50' CONSEAL CS212
- 1) JOINT WRAP PRIMER - CONSEAL CS-75 (1 gal.)
- 1) 48" - MH INVERT CHANNEL w/ConBlock-CDA Red - FULL HEIGHT
- 1) CASTING - HOE MC-315 F/C Sanitary
- 3) 48" - Conseal CS-102 1.00" (Double)
- 1) PSX - 12-08 NYLO
- 1) Drop Elbow - 8" PVC
- 1) Drop Tee - 8" PVC
- 9) MH Step ML-10-TDS-NCR - 10"

- 0 lb
- 270 lb
- 1580 lb
- 2491 lb
- 3353 lb
- 3354 lb
- 0 lb
- 0 lb
- 1440 lb
- 258 lb
- 0 lb
- 8 lb
- 0 lb
- 0 lb
- 0 lb

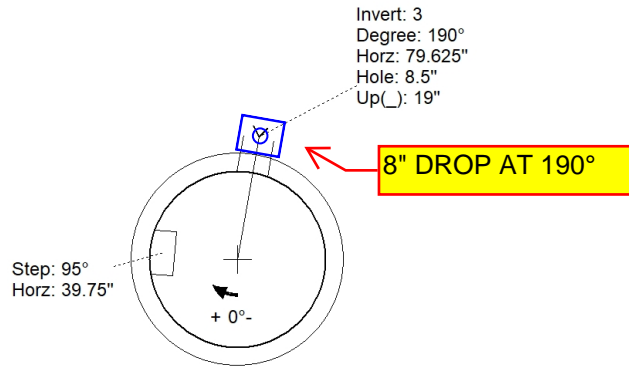
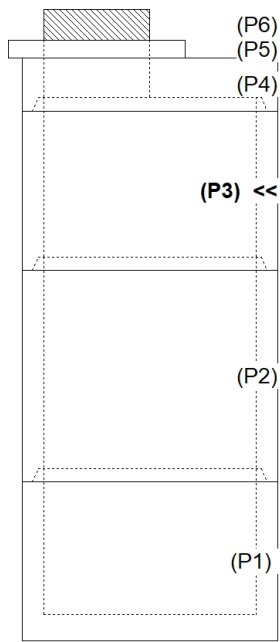
Structure Notes:  
 1. PER ASTM C478 SPECIFICATIONS.  
 2. CONCRETE = 4,000 PSI AT 28 DAYS.  
 3. CASTING BY OTHERS (HOE MC-315 F/C SANITARY).  
 4. EXTERERIOR DROPE ASSEMBLY AT 190°

REINFORCING PER ASTM A615 (GRADE 60).  
 - TOP SLAB = H20 LOADING.  
 - RISER/WALLS (As .12)  
 - FLOOR (As .31) #5 BARS AT 12" C.C.E.W.

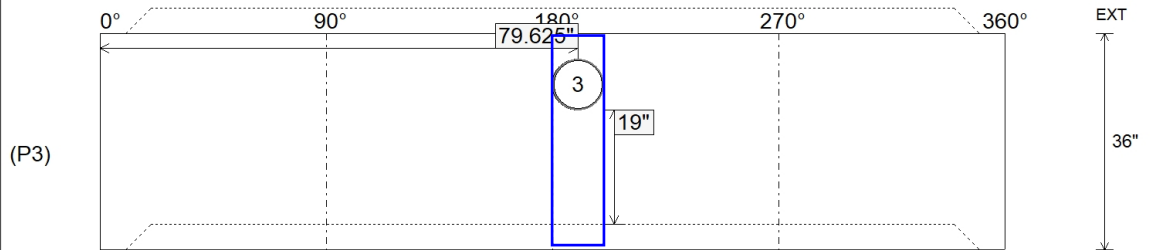
Rim: 723.5' Rim to Invert: 11.29' Slack: 1.48" Sump: 3" Structure Total: 12754 lb Step Position: 95°

Position	Elev	Angle	Ext. (cw)	Pipe	Pipe OD	Connector	Hole	Horz Size	Up ( )	Offset
Invert 1										
Invert 2										
Invert 3	720.42'	190°	96.125"	8" PVC SDR26	8.5"	Drop Tee 8" PVC	8.5"	8.545"	19"	0"
Invert 4										
Invert 5										
Invert 6										
Invert 7										
Invert 8										

**RIGHT-SIDE UP VIEW (int. dimensions)**



**INSIDE WALL DIMENSIONS**



Coating (Int):  
 Coating (Ext):

Seam Up: Tongue  
 Seam Dn: Groove

Wall Thickness: 5"  
 Floor Height: 0"

Height (Int): 36"  
 Height (Ext): 36"

Weight (Net): 2491 lb  
 Volume (Net): 0.64cu.yd