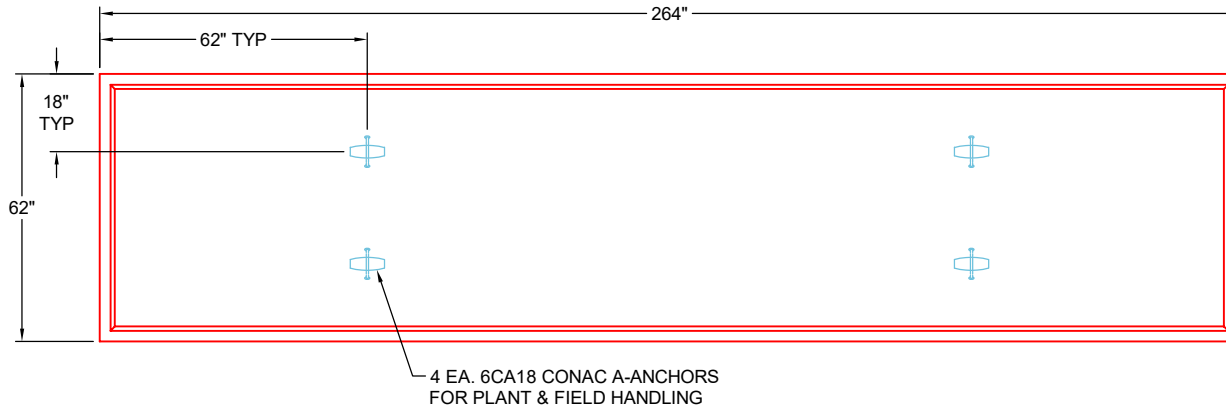
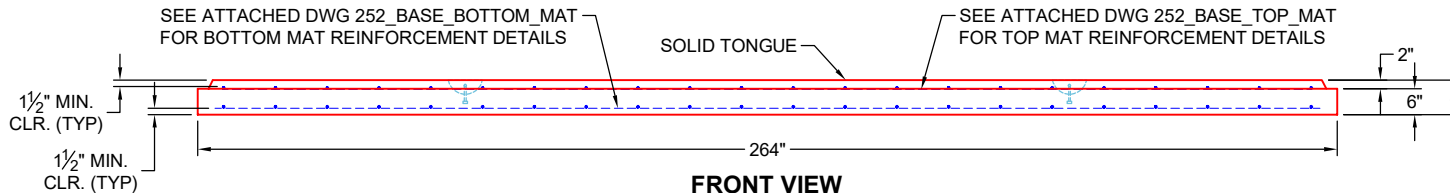


GENERAL NOTES:

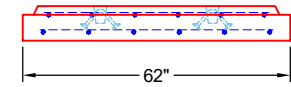
1. MANUFACTURED TO ASTM C-913 (LATEST REVISION)
2. CONCRETE: 5,000 PSI AT 28 DAYS
3. REINFORCEMENT - MIN. 1½" REBAR CLEARANCE:
 - TOP MAT: PER ATTACHED DWG 252_BASE_TOP_MAT
 - BOTTOM MAT: PER ATTACHED DWG 252_BASE_BOTTOM_MAT
4. WEIGHTS: 11,502 LBS



**PLAN VIEW
(RIGHT SIDE UP)**



**FRONT VIEW
(RIGHT SIDE UP)**



**SIDE VIEW
(RIGHT SIDE UP)**

PRODUCTION WORK ORDER

PRODUCT I.D.: CVBS

DESCRIPTION: 62" X 264" X 8" SEPARATE BASE SLAB



QUALITY CONTROL CHECKLIST

- ALL DIMENSIONS CORRECT.
- LIFTERS INSTALLED.
- CORRECT THICKNESS.
- REINFORCING CORRECT.
- FINISH ON SLAB SURFACE UNIFORM.
- OUTSIDE TOP EDGE TROWELLED.
- SOLID TONGUE JOINT INSTALLED.

PRODUCT VIEW: RIGHT SIDE UP

CUSTOMER: ENDESOL, INC.

PLANT: BEAVER DAM, KY

PROJECT: 1-26 691249488

WEIGHT: 11,502 LBS

STRUCTURE: 2-61615 1 (EFX-60 21 PN VAULT)

TOP SECTION JOINT: N / A

ORDER NO: 26-1615

BASE SECTION JOINT: SOLID TONGUE

PE: J.H. ROSS

DRAWING: J. HORSLEY

QC CHECK INITIALS:

DATE: 04/24/26

SCALE: NTS

PG. 1 OF 1

4

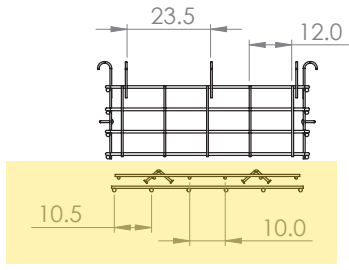
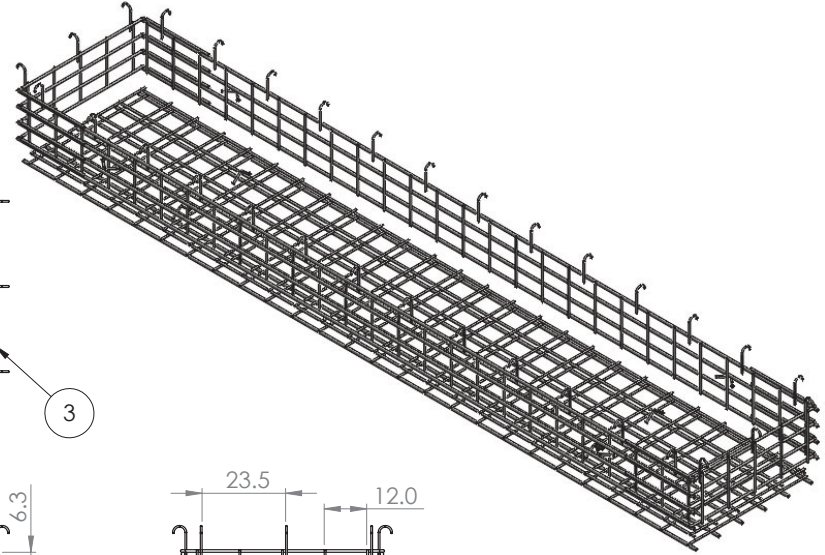
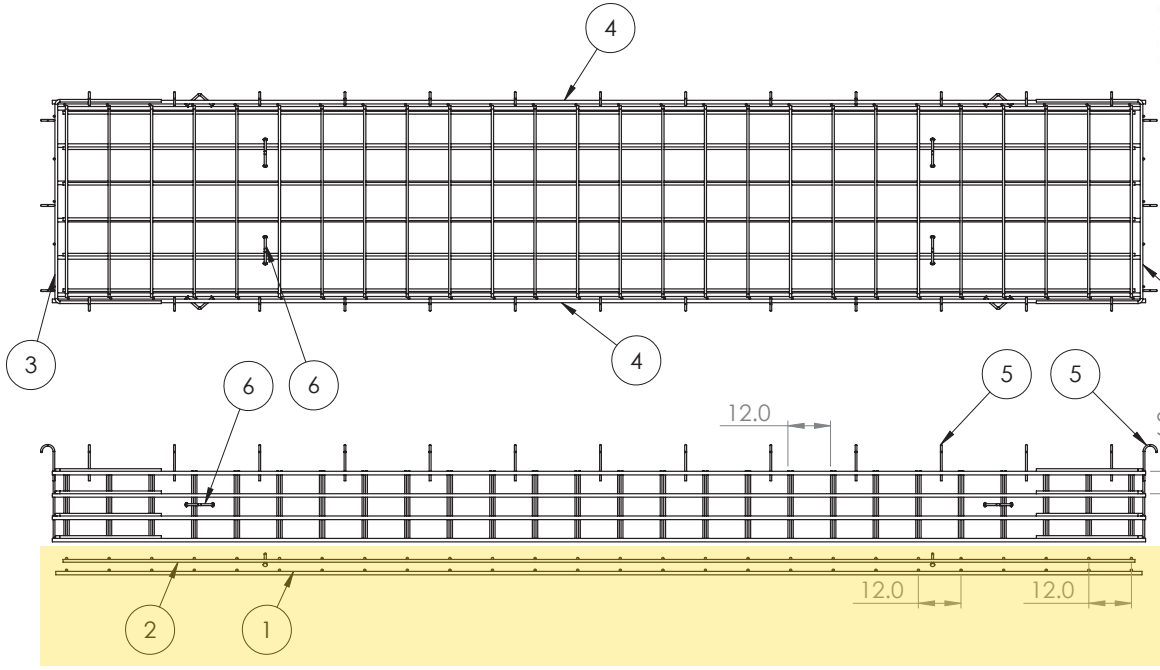
3

2

1

B

B



ITEM NO.	PART NUMBER	Qty.
1	252_Base_Bottom Mat	1
2	252_Base_Top Mat	1
3	Short Wall	2
4	252_ADJ_Long Wall	2
5	#4 0904J	32
6	6CA18	8

- NOTES:
1. Rebar: #5, #6, #8 A614 Grade 60
 2. All Rebar to have 1.5" Cover Minimum

PROPRIETARY AND CONFIDENTIAL
 THE INFORMATION CONTAINED IN THIS DRAWING IS THE SOLE PROPERTY OF ENDESOL INC. ANY REPRODUCTION IN PART OR AS A WHOLE WITHOUT THE WRITTEN PERMISSION OF ENDESOL INC. IS PROHIBITED.

UNLESS OTHERWISE SPECIFIED:		NAME	DATE
DIMENSIONS ARE IN INCHES		DRAWN	CMJ 3-25-16
TOLERANCES:		CHECKED	JHR 3-25-16
FRACTIONAL 1/8"		ENG APPR.	XXXX XXXX
TWO PLACE DECIMAL .13		MFG APPR.	XXXX XXXX
THREE PLACE DECIMAL .125		Q.A.	XXXX XXXX
INTERPRET GEOMETRIC TOLERANCING PER:		COMMENTS:	
MATERIAL		Rebar A614 G60	
FINISH		MILL	
NEXT ASSY	USED ON		
APPLICATION		DO NOT SCALE DRAWING	

ENDESOL

TITLE: EFX-60 Adjustable Section Rebar Layout

SIZE	DWG. NO.	REV
B	EFX-60 ADJ Rebar	X1

SCALE: 1:50 WEIGHT: SHEET 1 OF 1

4

3

2

1

A

A

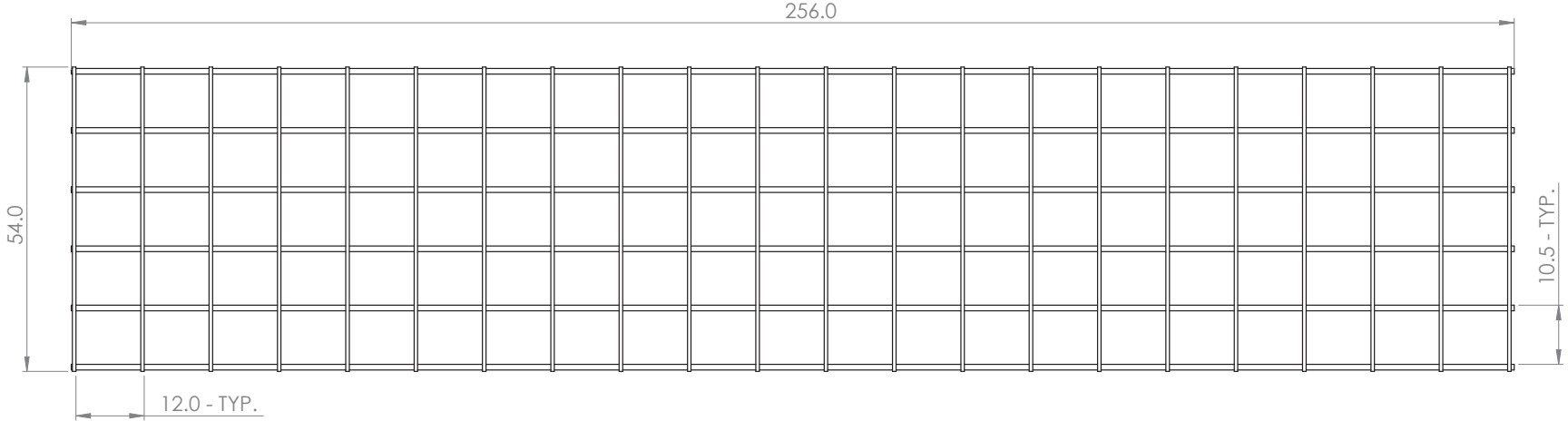
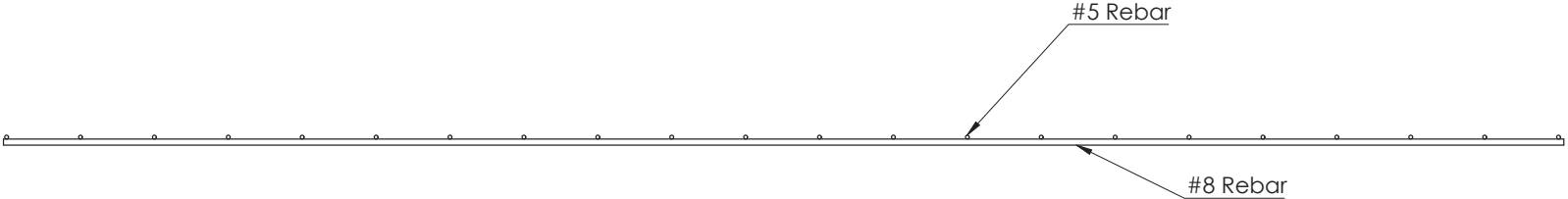
4

3

2

1

ITEM NO.	PART NUMBER	DESCRIPTION	QTY.
1	#8_256.0	#8 Rebar	6
2	#5_54.0	#5 Rebar	22



981 W. 7th Street
 Beaver Dam, KY
 42320
 P 270-363-2238
 F 270-363-2234
 iCastinc.com

DIMENSIONS ARE IN INCHES
 TOLERANCES:
 FRACTIONAL ±
 ANGULAR: MACH ± BEND ±
 DECIMAL ± 0.5"

	NAME	DATE
DRAWN	CMJ	8/3/20
CHECKED	JHR	8/3/20
ENG APPR.		
MFG APPR.		
Q.A.		
COMMENTS:		

PROPRIETARY AND CONFIDENTIAL
 THE INFORMATION CONTAINED IN THIS DRAWING IS THE SOLE PROPERTY OF
 INFRASTRUCTURE PRECAST INC. (iCast). ANY REPRODUCTION IN PART OR
 AS A WHOLE WITHOUT THE WRITTEN PERMISSION OF iCast IS PROHIBITED.

MATERIAL
 FINISH
 DO NOT SCALE DRAWING

SIZE DWG. NO. REV.
B 252_Base_Bottom Mat
 SCALE: 1:50 WEIGHT: SHEET 1 OF 1

4

3

2

1

B

B

A

A

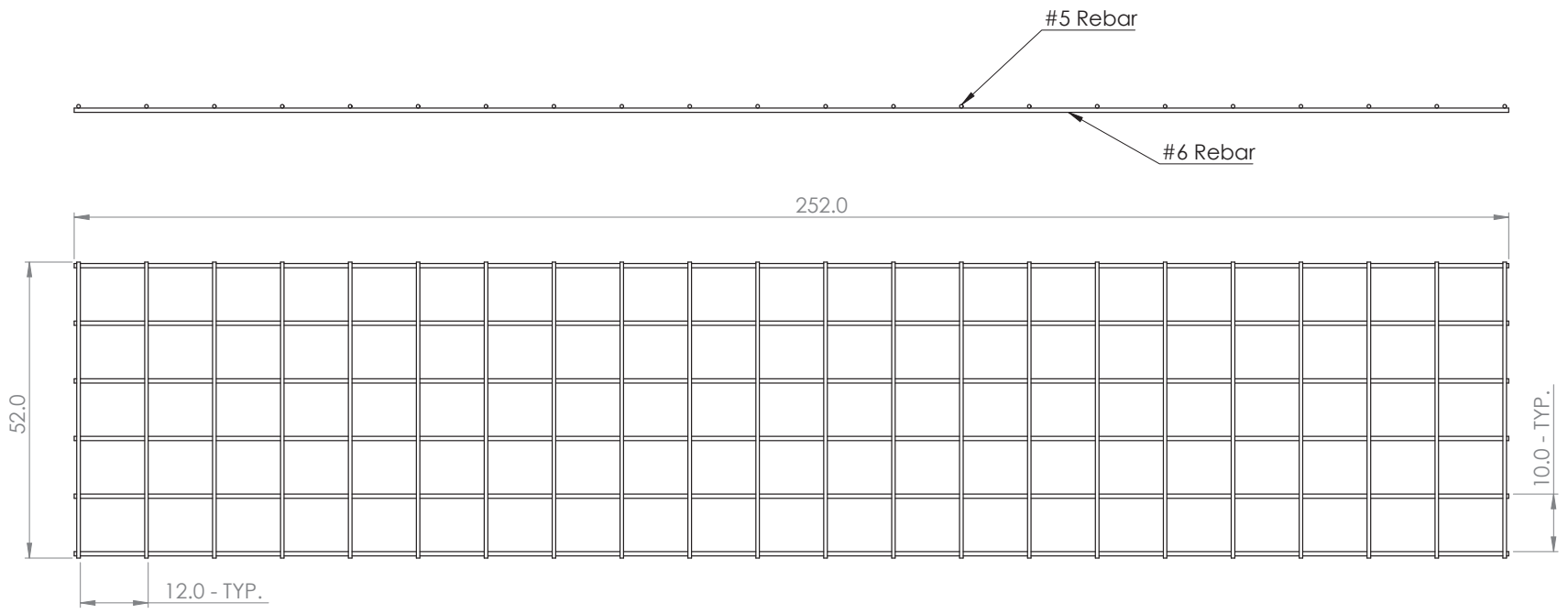
4

3

2

1

ITEM NO.	PART NUMBER	DESCRIPTION	QTY.
1	#6_252.0	#6 Rebar	6
2	#5_52.0	#5 Rebar	22



B

B

A


A

4

3

2

1

 <p>981 W. 7th Street Beaver Dam, KY 42320 P 270-363-2238 F 270-363-2234 iCastinc.com</p> <p>PROPRIETARY AND CONFIDENTIAL THE INFORMATION CONTAINED IN THIS DRAWING IS THE SOLE PROPERTY OF INFRASTRUCTURE PRECAST INC. (iCast). ANY REPRODUCTION IN PART OR AS A WHOLE WITHOUT THE WRITTEN PERMISSION OF iCast IS PROHIBITED.</p>	DIMENSIONS ARE IN INCHES TOLERANCES: FRACTIONAL: ± ANGULAR: MACH ± BEND ± DECIMAL: ± 0.5"		<table border="1"> <tr><th>NAME</th><th>DATE</th></tr> <tr><td>C.M.J.</td><td>8/3/20</td></tr> <tr><td>J.H.R.</td><td>8/3/20</td></tr> <tr><td> </td><td> </td></tr> <tr><td> </td><td> </td></tr> <tr><td> </td><td> </td></tr> </table>	NAME	DATE	C.M.J.	8/3/20	J.H.R.	8/3/20						
	NAME	DATE													
	C.M.J.	8/3/20													
	J.H.R.	8/3/20													
MATERIAL		Q.A.													
FINISH		COMMENTS:													
DO NOT SCALE DRAWING															
<p>SCALE: 1:50</p>		<table border="1"> <tr> <th>SIZE</th> <th>DWG. NO.</th> <th>REV.</th> </tr> <tr> <td>B</td> <td>252_Base_Top Mat</td> <td> </td> </tr> <tr> <td> </td> <td> </td> <td> </td> </tr> </table> <p>WEIGHT: SHEET 1 OF 1</p>	SIZE	DWG. NO.	REV.	B	252_Base_Top Mat								
SIZE	DWG. NO.	REV.													
B	252_Base_Top Mat														