

Job Name: 26-1368 Freeman Lake Park Parking Lot Project  
 Job Location: Elizabethtown, KY  
 Contractor: Kauffeld Brothers Construction

Plant: Beaver Dam  
 5/28/2026 9:51:48 AM

Tech: S. Felletter  
 PC: T. Ryan



**Structure ID: JB #2-7 JBB**

**P3 BX024030-08LD08S**

**BX FLAT LID 8inW SPEC. (KY JB-B1) F/F**

- P4) CASTING (cast in) - 0
- P3) 24" x 30" - BX FLAT LID 8inW SPEC. (KY JB-B1) F/F - 8"
- P2) 24" x 30" - BOX RISER 8inW F/G - 42"
- P1) 24" x 30" - BOX BASE 8inW, 8inF, Variable Ht T/n - 28"
- 1) CASTING - HOE KY-206 F/C (KY TY1)
- 1) This Structure Includes a Cast-in Item
- 2) 24" x 30" - Conseal CS-102 1.00"
- 1) 24" - Conseal CS-102 1.00"
- 1) Hole - 26
- 1) DOGHOUSE INVRTD - 24"x24"

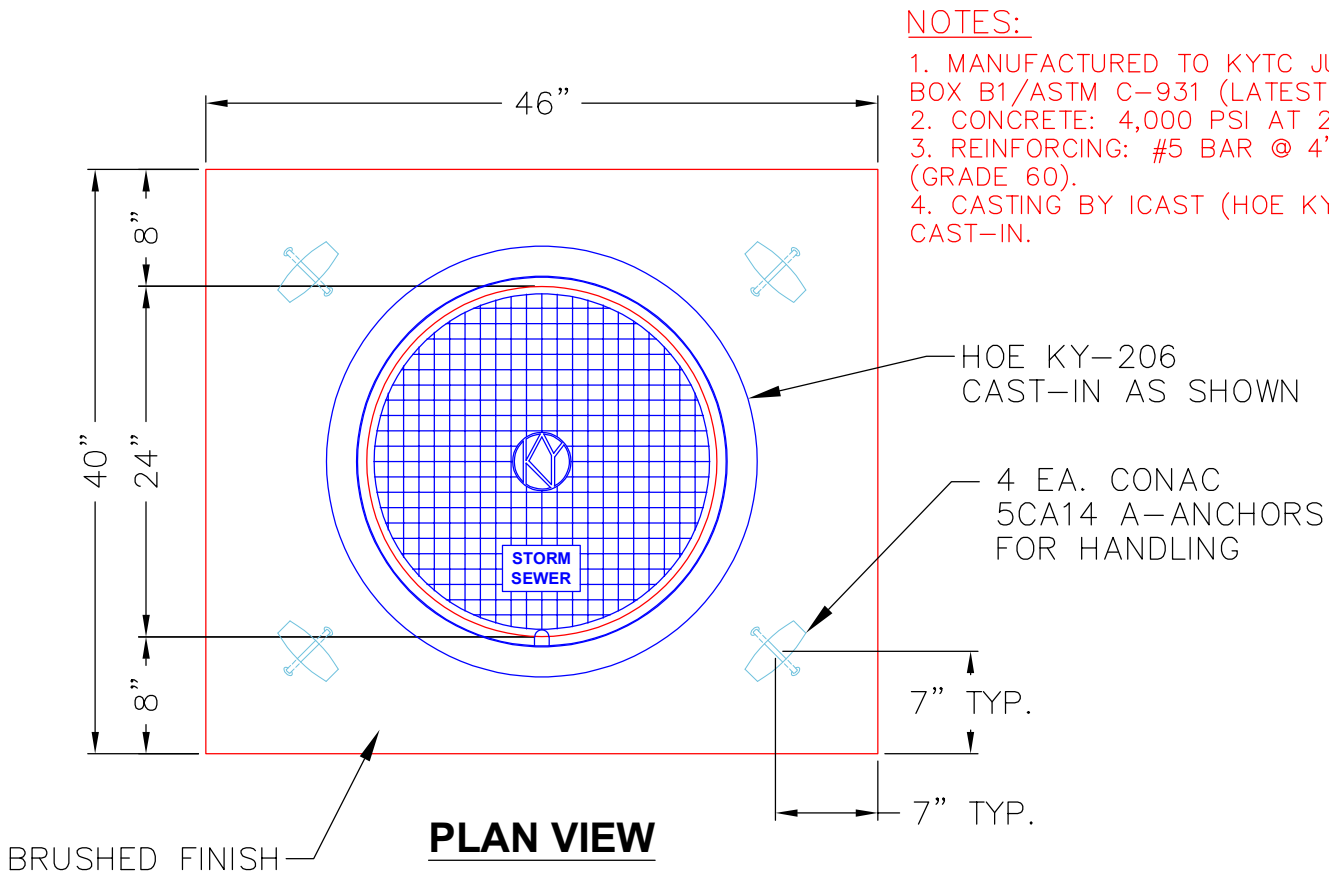
	0 lb
	931 lb
	3676 lb
	3510 lb
	206 lb
	0 lb
	0 lb
	0 lb
	0 lb
	0 lb
	0 lb
	0 lb
Structure Total:	8324 lb

**Structure Notes:**

1. KYTC JUNCTION BOX B1 / PER ASTM C913 SPEC'S.
2. CONCRETE = 4,000 PSI AT 28 DAYS.
3. TOP SLAB w KYTC TYPE 1 F/C CAST FLUSH.
4. CASTING BY ICAST (HOE KY-206 F/C). CAST-IN.

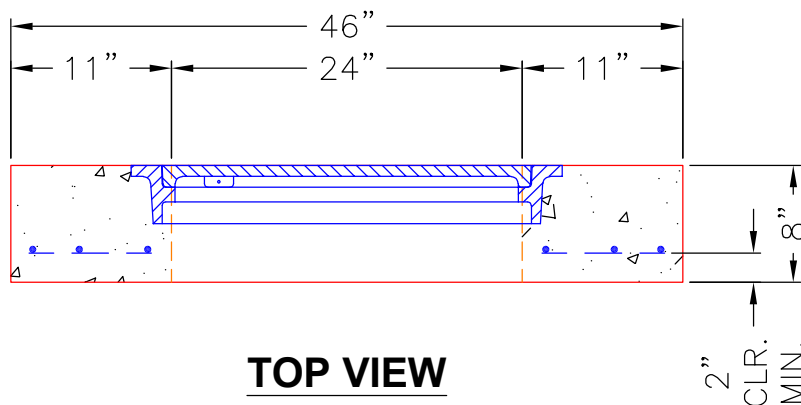
REINFORCING PER ASTM A615 (GRADE 60).

- TOP SLAB (As. 62) #5 BARS AT 4" C.C.E.W.
- WALLS (As .31) #5 BARS AT 12" C.C.E.W.
- FLOOR (As .31) #5 BARS AT 12" C.C.E.W.



**NOTES:**

1. MANUFACTURED TO KYTC JUNCTION BOX B1/ASTM C-931 (LATEST REVISION).
2. CONCRETE: 4,000 PSI AT 28 DAYS.
3. REINFORCING: #5 BAR @ 4" C.C. E.W. (GRADE 60).
4. CASTING BY ICAST (HOE KY-206 F/C). CAST-IN.



Coating (Int): Coating (Ext):	Seam Up: Flat Seam Dn: Flat	Wall Thickness: 8"	Height (Ext): 8"	Weight (Net): 931 lb Volume (Net): 0.24cu.yd
----------------------------------	--------------------------------	--------------------	------------------	---