

Structure ID: JB #2-7 JBB

P1 BX24300808VF

BOX BASE 8inW, 8inF, Variable Ht T/n

P4) CASTING (cast in) - 0 P3) 24" x 30" - BX FLAT LID 8inW SPEC. (KY JB-B1) F/F - 8" P2) 24" x 30" - BOX RISER 8inW F/G - 42" P1) 24" x 30" - BOX BASE 8inW, 8inF, Variable Ht T/n - 28" 1) CASTING - HOE KY-206 F/C (KY TY1) 1) This Structure Includes a Cast-in Item 2) 24" x 30" - Conseal CS-102 1.00" 1) 24" - Conseal CS-102 1.00" 1) Hole - 26 1) DOGHOUSE INVRTD - 24"x24"	0 lb 931 lb 3676 lb 3510 lb 206 lb 0 lb 0 lb 0 lb 0 lb 0 lb ----- Structure Total: 8324 lb
--	---

Structure Notes:

1. KYTC JUNCTION BOX B1 / PER ASTM C913 SPEC'S.
2. CONCRETE = 4,000 PSI AT 28 DAYS.
3. TOP SLAB w KYTC TYPE 1 F/C CAST FLUSH.
4. CASTING BY ICAST (HOE KY-206 F/C). CAST-IN.

REINFORCING PER ASTM A615 (GRADE 60).

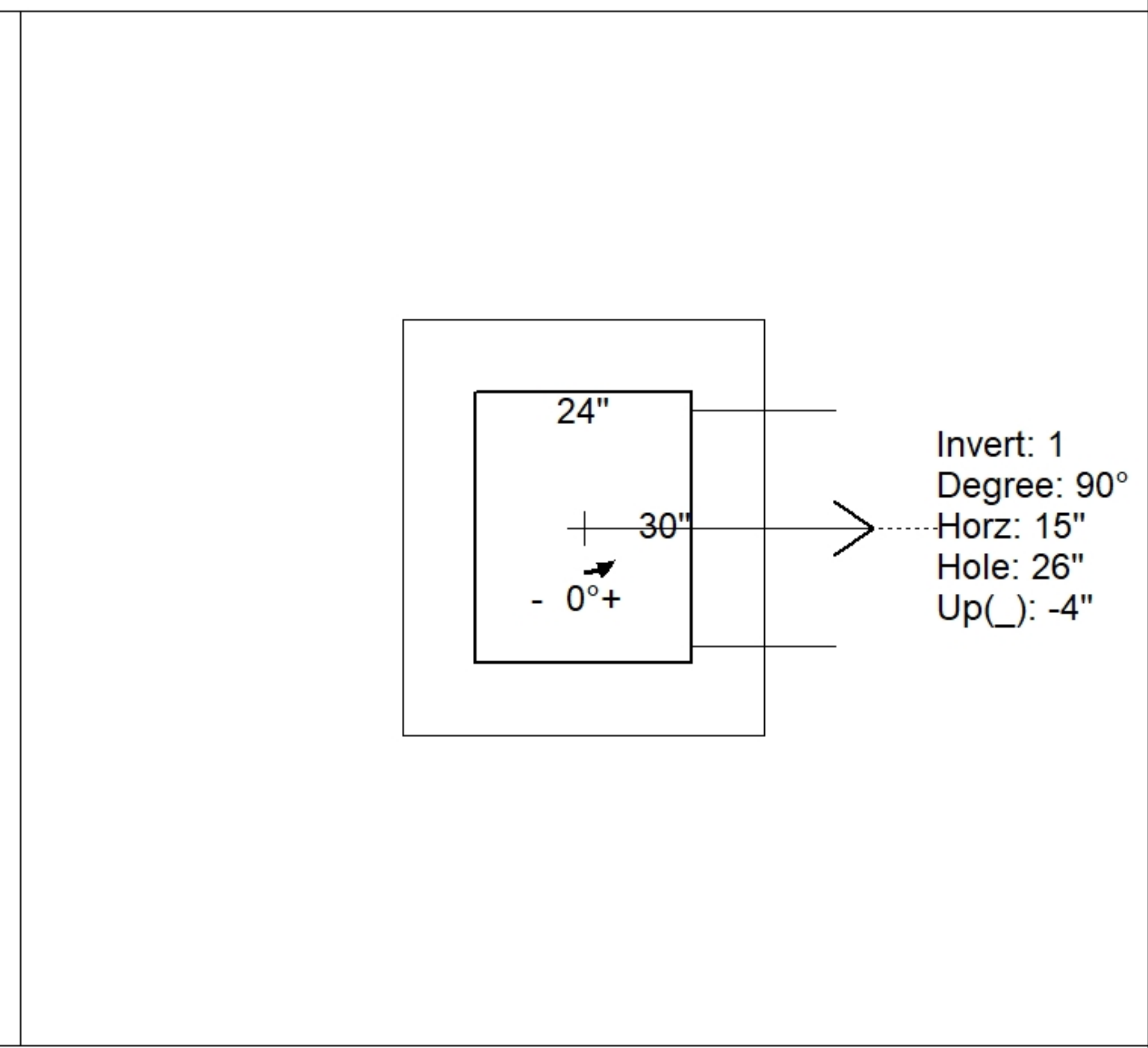
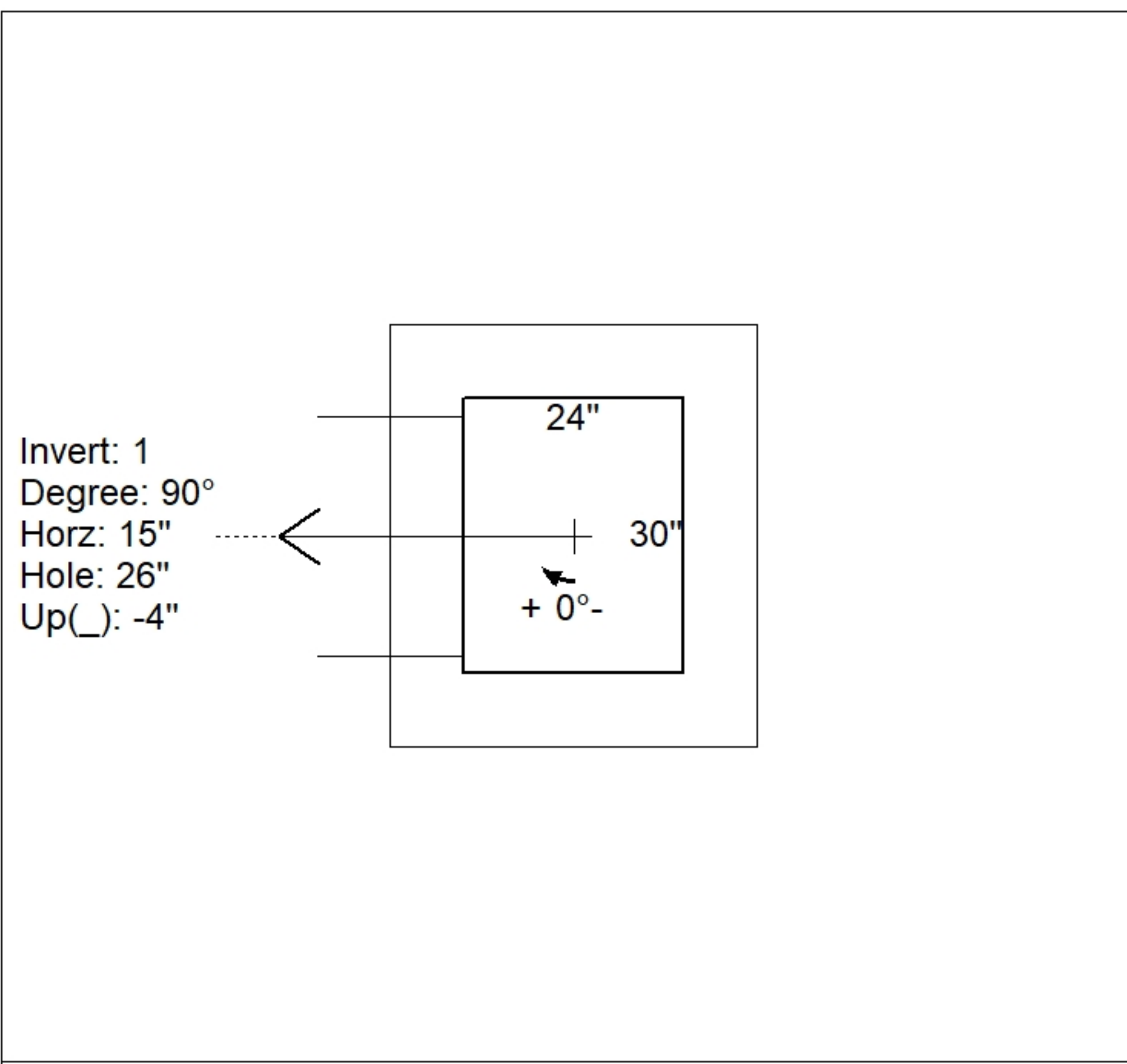
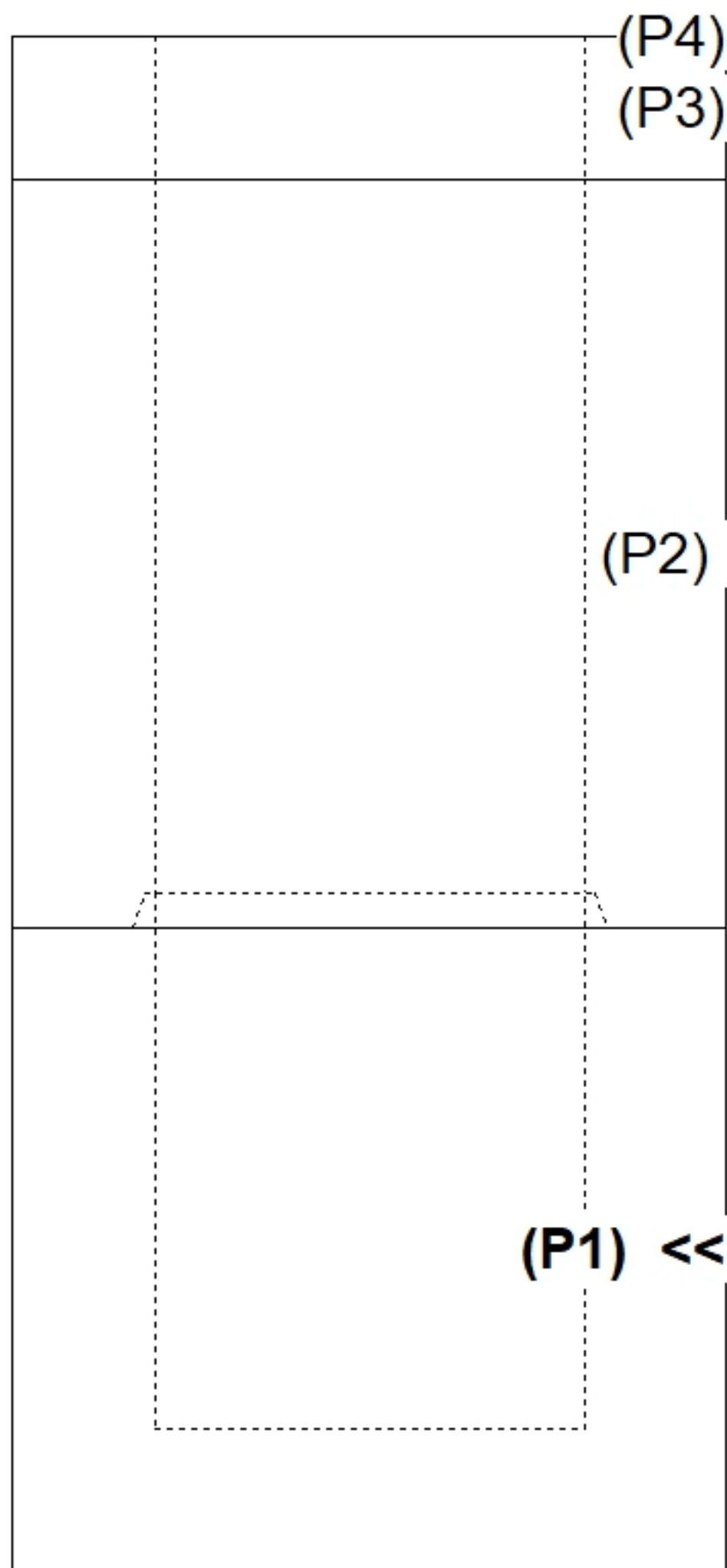
- TOP SLAB (As .62) #5 BARS AT 6" C.C.E.W.
- WALLS (As .31) #5 BARS AT 12" C.C.E.W.
- FLOOR (As .31) #5 BARS AT 12" C.C.E.W.

Rim: 773.5' Rim to Invert: 6.5' Slack: 0" Sump: 0" Step Position:

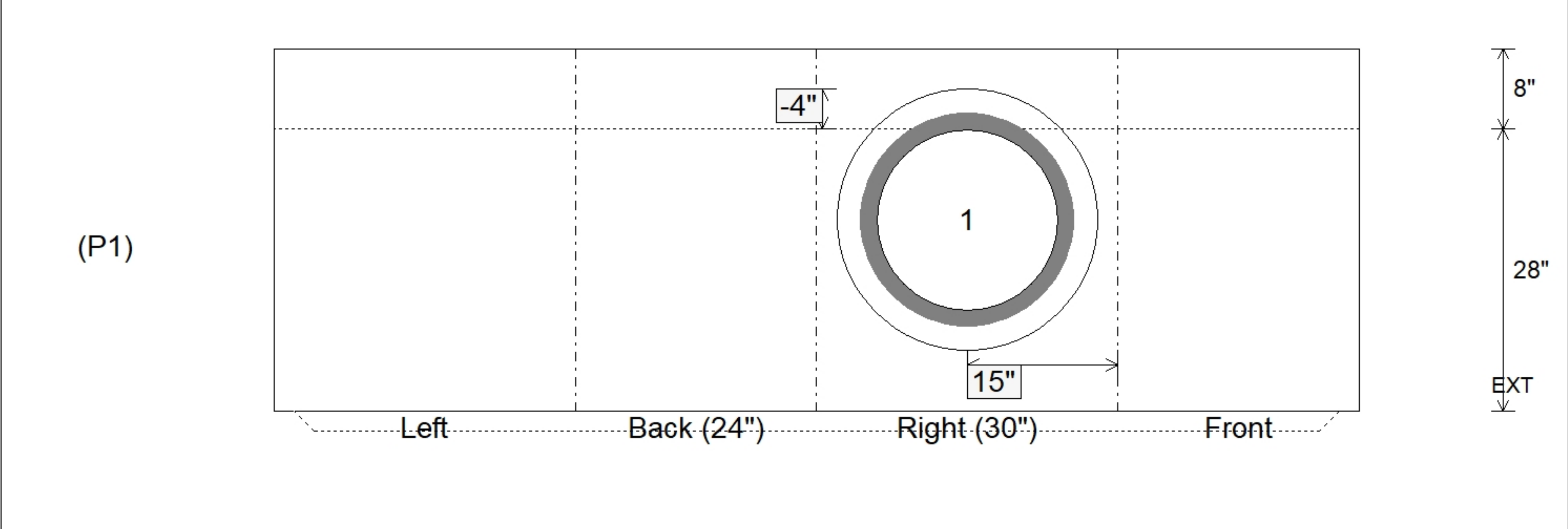
Position	Elev	Angle	Ext. (cw)	Pipe	Pipe OD	Connector	Hole	Horz Size	Up ()	Offset
Invert 1	767'	90°	23"	18" HDPE	21.2"	Hole 26	26"	26"	-4"	0"
Invert 2										
Invert 3										
Invert 4										
Invert 5										
Invert 6										
Invert 7										
Invert 8										

RIGHT-SIDE UP VIEW (int. dimensions)

UPSIDE-DOWN VIEW (int. dimensions)



INSIDE WALL DIMENSIONS



Coating (Int): Coating (Ext):	Seam Up: Tongue Seam Dn: n/a	Wall Thickness: 8" Floor Height: 8"	Height (Int): 28" Height (Ext): 36"	Weight (Net): 3510 lb Volume (Net): 0.9cu.yd
----------------------------------	---------------------------------	--	--	---