

Job Name: 26-1368 Freeman Lake Park Parking Lot Project	Plant: Beaver Dam	Tech: S. Felletter	
Job Location: Elizabethtown, KY Contractor: Kauffeld Brothers Construction	5/29/2026 8:39:15 AM	PC: T. Ryan	

**Structure ID: CI #1-2 CBIF**

**P2 BX2424-08R24**

**BOX RISER 8inW F/G**

P3) 24" x 24" - CASTING HEIGHT - 5"	0 lb
P2) 24" x 24" - BOX RISER 8inW F/G - 24"	2062 lb
P1) 24" x 24" - BOX BASE 8inW, 8inF, Variable Ht T/n - 43"	4281 lb
1) CASTING - HOE KY-465 SET (CBI TY F)	465 lb
2) 24" x 24" - Conseal CS-102 1.00"	0 lb
1) Hole - 20	0 lb
1) Hole - 22	0 lb
Structure Total:	6808 lb

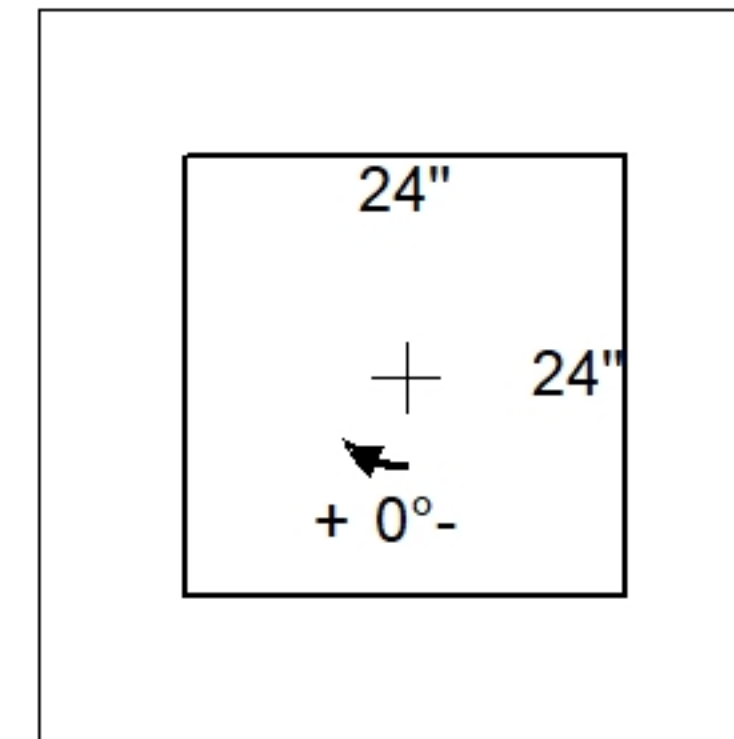
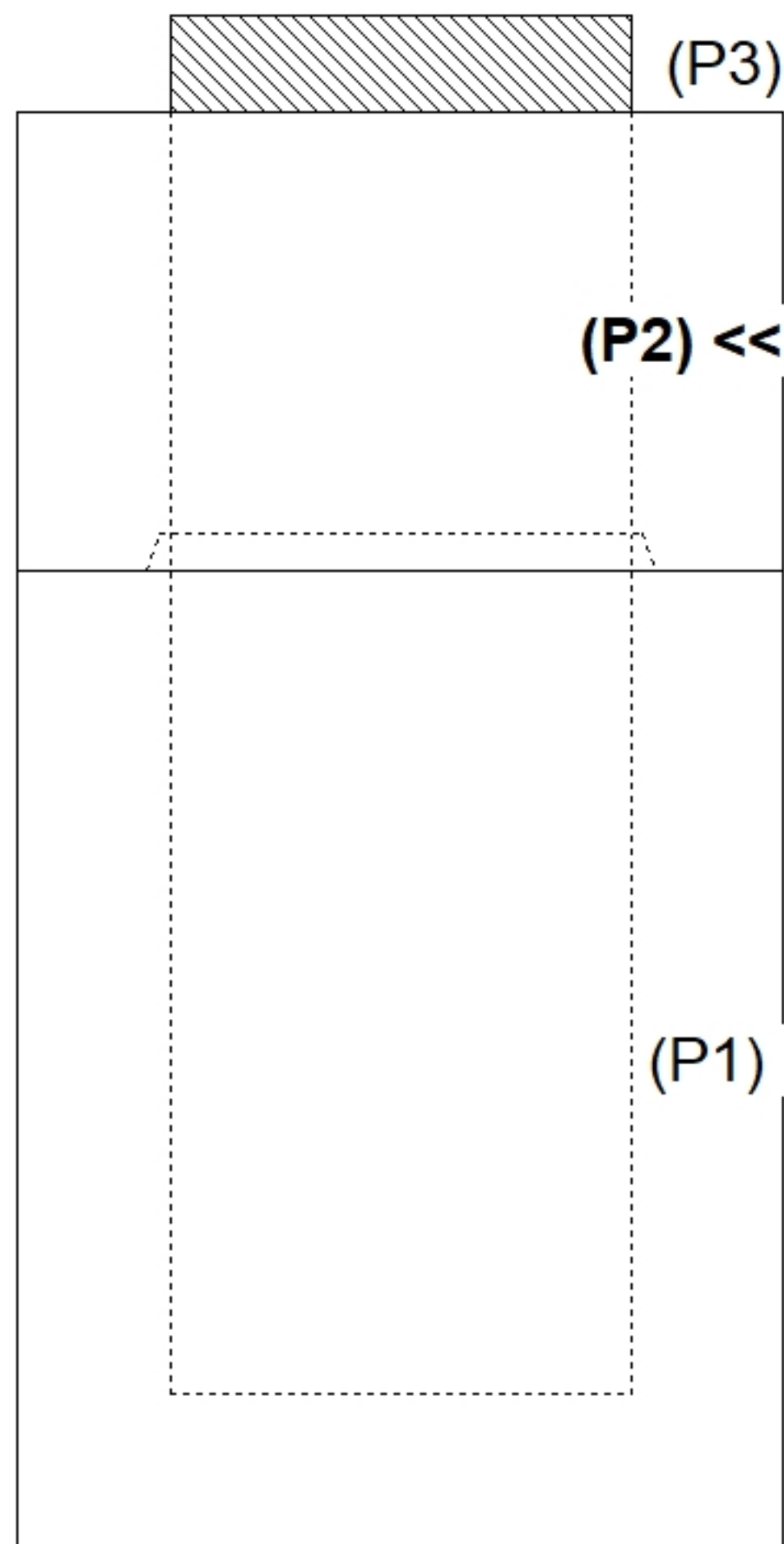
Structure Notes:  
 1. KYTC CBI TYPE F / ASTM C913 SPECIFICATIONS.  
 2. CONCRETE = 4,000 PSI AT 28 DAYS.  
 3. CASTING BY ICAST (HOE KY-465 SET)

REINFORCING PER ASTM A615 (GRADE 60).  
 - WALLS (As .31) #5 BARS AT 12" C.C.E.W.  
 - FLOOR (As .31) #5 BARS AT 12" C.C.E.W.

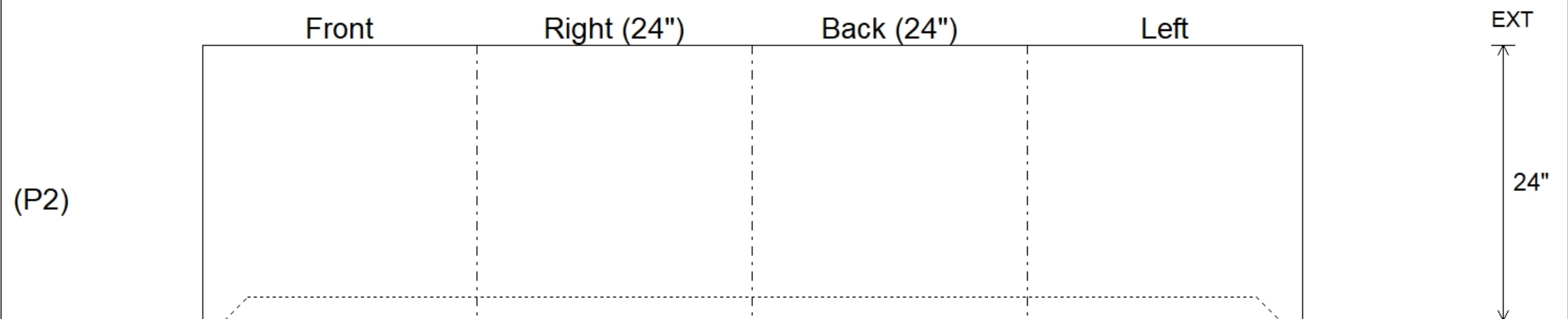
Rim: 761.62'    Rim to Invert: 6'    Slack: 0"    Sump: 0"    Step Position:

Position	Elev	Angle	Ext. (cw)	Pipe	Pipe OD	Connector	Hole	Horz Size	Up (L)	Offset
Invert 1										
Invert 2										
Invert 3										
Invert 4										
Invert 5										
Invert 6										
Invert 7										
Invert 8										

**RIGHT-SIDE UP VIEW (int. dimensions)**



**INSIDE WALL DIMENSIONS**



Coating (Int):	Seam Up: Flat	Wall Thickness: 8"	Height (Int): 24"	Weight (Net): 2062 lb
Coating (Ext):	Seam Dn: Groove	Floor Height: 0"	Height (Ext): 24"	Volume (Net): 0.53cu.yd