

Job Name: 26-1227 - Project Colt  
 Job Location: Evansville, IN  
 Contractor: Russell's Excavating

Plant: 100  
 5/12/2026 11:30:52 AM

Tech: Jared - F  
 PC: A. Chambers



**Structure ID: 302-7 MHC**

**P2 MH048LD07-24X36RECT**

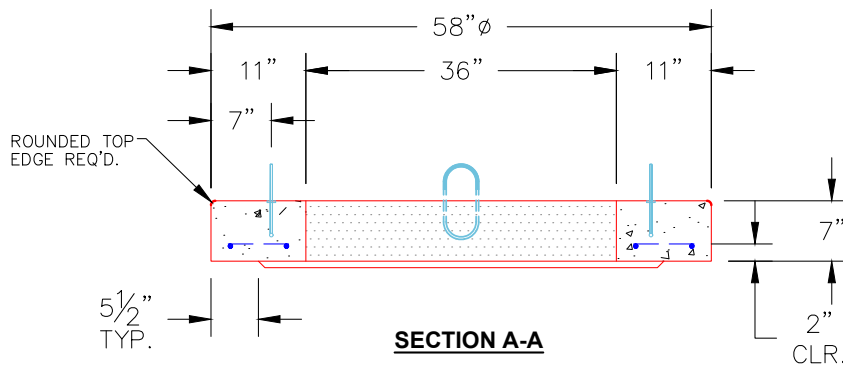
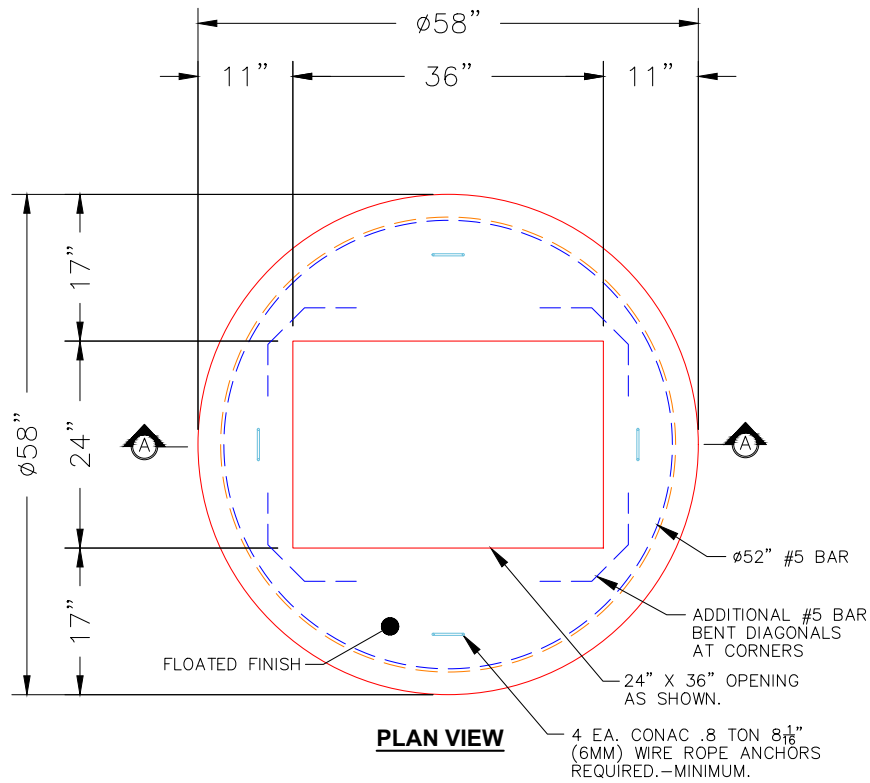
**MH FLAT TOP w/24"x36" Hole F/F**

- P3) 24" x 36" - CASTING HEIGHT - 4"
- P2) 48" - MH FLAT TOP w/24"x36" Hole F/F - 7"
- P1) 48" - MH BASE Custom Ht F/n - 69"
- 1) CASTING - HOE 518 F/G
- 1) 48" - Conseal CS-102 1.00"
- 1) 24" x 36" - Conseal CS-102 1.00"
- 2) Hole - 24
- 1) Hole - 16
- 2) Hole - 6
- 6) MH Step ML-10-TDS-NCR - 10"

0 lb  
 1044 lb  
 5646 lb  
 354 lb  
 0 lb  
 0 lb  
 0 lb  
 0 lb  
 0 lb  
 0 lb  
 0 lb  
 0 lb  
 -----  
 Structure Total: 7045 lb

**Structure Notes:**  
 1. INDOT MH TYPE C / ASTM C478 SPEC'S.  
 2. CONCRETE = 4,000 PSI AT 28 DAYS.  
 3. NO INVERT CHANNEL.  
 4. CASTING BY ICAST (HOE 518 F/G).

REINFORCING PER ASTM A615 (GRADE 60).  
 - TOP SLAB (As .62) #5 BARS AT 6" C.C.E.W..  
 - RISER/WALLS (As .12)  
 - FLOOR (As .62) #5 BARS AT 6" C.C.E.W.



**NOTES:**

- 1. MANUFACTURED TO ASTM C-478 (LATEST REVISION).
- 2. CONCRETE: 4,000 PSI AT 28 DAYS.
- 3. REINFORCING: #5 BAR @ 6" O.C. E.W. (GRADE 60).

Coating (Int): Coating (Ext):	Seam Up: Flat Seam Dn: Flat	Wall Thickness: 5"	Height (Ext): 7"	Weight (Net): 1044 lb Volume (Net): 0.27cu.yd
----------------------------------	--------------------------------	--------------------	------------------	--