

Job Name: 25-4508 - Georgetown Commons Target
 Job Location: Georgetown, KY
 Contractor: Winwater Hartford KY Co.

Plant: 100
 5/28/2026 11:25:30 AM

Tech: Jared - F
 PC: A. Chambers



Structure ID: 7 (10)

P1 MH048BAVF

MH BASE Custom Ht T/n

- P3) 24" x 36" - CASTING HEIGHT - 6"
- P2) 48" - MH FLAT TOP w/24"x36" Hole F/G - 12"
- P1) 48" - MH BASE Custom Ht T/n - 47"
- 1) CASTING - HOE 470 SET LV (F/G/H)
- 1) 48" - Conseal CS-102 1.00"
- 1) 24" x 36" - Conseal CS-102 1.00"
- 2) Hole - 30

0 lb
 1300 lb
 3982 lb
 394 lb
 0 lb
 0 lb
 0 lb

 Structure Total: 5676 lb

Structure Notes:
 1. PER ASTM C478 SPECIFICATIONS.
 2. CONCRETE = 4,000 PSI AT 28 DAYS.
 3. NO STEPS AND NO INVERT CHANNEL.
 4. CASTING BY ICAST (HOE 470 SET LV (F/G/H)).

REINFORCING PER ASTM A615 (GRADE 60).
 - TOP SLAB (As .62) #5 BARS AT 6" C.C.E.W..
 - RISER/WALLS (As .12)
 - FLOOR (As .31) #5 BARS AT 12" C.C.E.W.

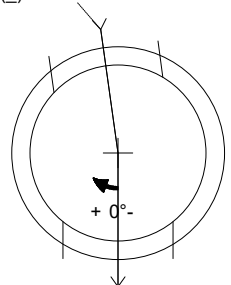
Rim: 871' Rim to Invert: 5.3' Slack: 0.5' Sump: 1.9' Step Position:

Position	Elev	Angle	Ext. (cw)	Pipe	Pipe OD	Connector	Hole	Horz Size	Up (↓)	Offset
Invert 1	865.7'	0°	0"	24" HDPE	27.8"	Hole 30	30"	32.406"	0"	0"
Invert 2	865.7'	172°	87"	24" HDPE	27.8"	Hole 30	30"	32.406"	0"	0"
Invert 3										
Invert 4										
Invert 5										
Invert 6										
Invert 7										
Invert 8										

RIGHT-SIDE UP VIEW (int. dimensions)

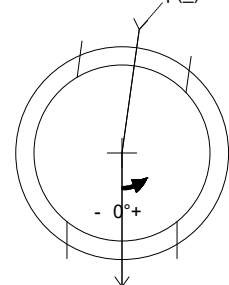
UPSIDE-DOWN VIEW (int. dimensions)

Invert: 2
 Degree: 172°
 Horz: 72"
 Hole: 30"
 Up(↓): 0"

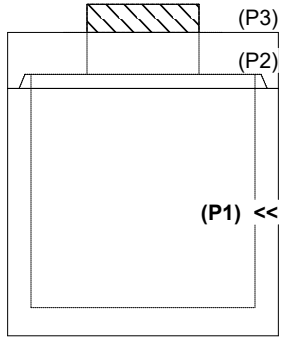


Invert: 1
 Degree: 0°
 Horz: 0"
 Hole: 30"
 Up(↓): 0"

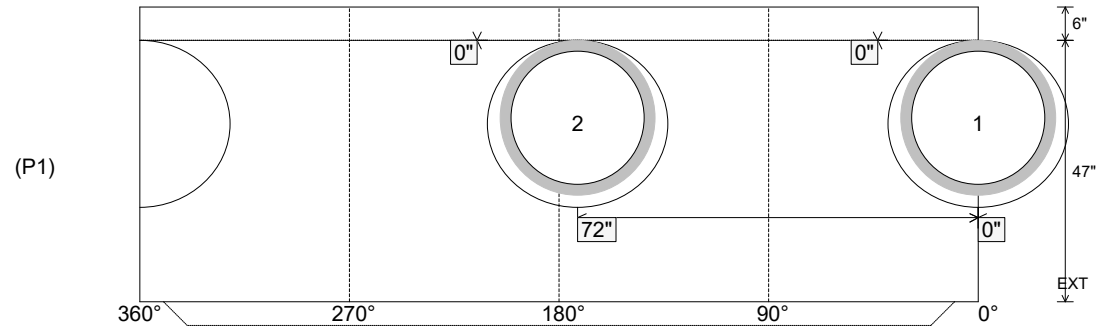
Invert: 2
 Degree: 172°
 Horz: 72"
 Hole: 30"
 Up(↓): 0"



Invert: 1
 Degree: 0°
 Horz: 0"
 Hole: 30"
 Up(↓): 0"



INSIDE WALL DIMENSIONS



Coating (Int):
 Coating (Ext):

Seam Up: Tongue
 Seam Dn: n/a

Wall Thickness: 5"
 Floor Height: 6"

Height (Int): 47"
 Height (Ext): 53"

Weight (Net): 3982 lb
 Volume (Net): 1.02cu.yd