

Job Name: 25-2397B - Sandy Springs Section 2 Sanitary  
 Job Location: Elizabethtown, KY 42701  
 Contractor: Gary Clifford

Plant: 100

5/27/2026 2:56:17 PM

Tech: J. Horsley

PC: T. Lewis



**Structure ID: MH 1**

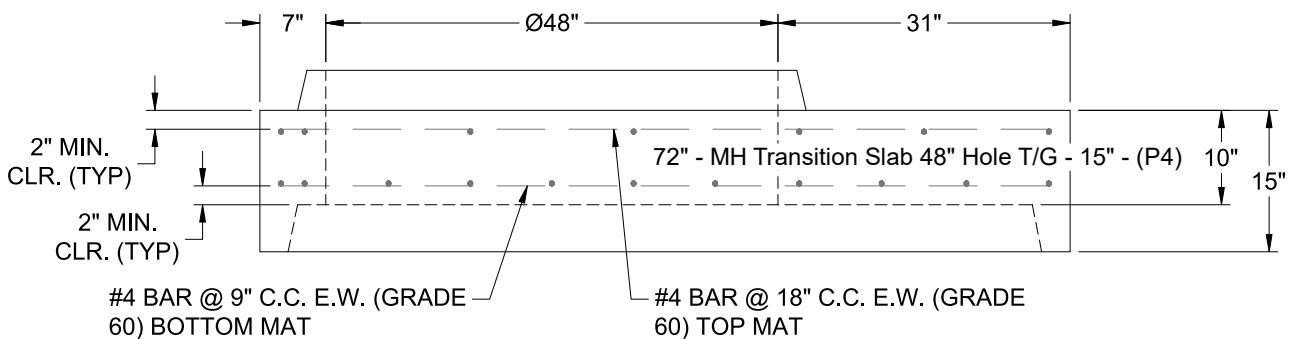
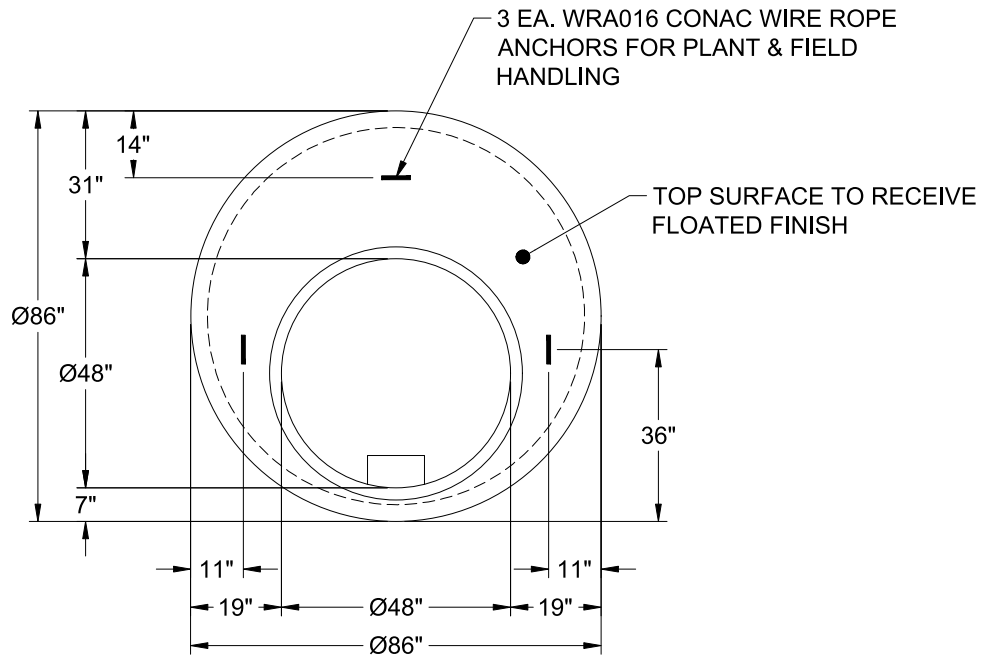
**P4 MH072TS15-48ECC**

**MH Transition Slab 48" Hole T/G**

- P6) 24" - CASTING HEIGHT - 7"
- P5) 48" - ECC CONE w/ 24" HOLE F/G - 30"
- P4) 72" - MH Transition Slab 48" Hole T/G - 15"
- P3) 72" - MH RISER Custom Ht T/F - 64"
- P2) 72" - 18" x 12" x 84" Footer Block F/n - 12" (2 Ea.)
- P1) 72" - P.I.P. By Others - Pipe Backfill F/n - 31"
- 1) JOINT WRAP - 0.065"x6"x50" CONSEAL CS212
- 1) JOINT WRAP PRIMER - CONSEAL CS-75 (1 gal.)
- 1) CASTING - HOE MC-315 F/C Sanitary
- 1) 72" - Conseal CS-102 1.00" (Double)
- 1) 48" - Conseal CS-102 1.00" (Double)
- 1) 24" - Conseal CS-102 1.00" (Double)
- 2) DOGHOUSE - 62 x 19
- 1) PSX - 12-08 DD (DBL Bands)
- 9) MH Step ML-10-TDS-NCR - 10"

0 lb
2050 lb
3864 lb
8207 lb
3046 lb (1523 lb Ea.)
0 lb
0 lb
0 lb
258 lb
0 lb
0 lb
0 lb
0 lb
0 lb
8 lb
0 lb
0 lb
-----
Structure Total: 17425 lb

- Structure Notes:
1. PER ASTM C-478 SPECIFICATIONS
  2. CONCRETE: 4,000 PSI AT 28 DAYS
  3. REINFORCEMENT - 2" MIN. REBAR CLEARANCE (TYP):  
 - TOP MAT: #4 BAR @ 18" C.C. E.W. (GRADE 60)  
 - BOTTOM MAT: #4 BAR @ 9" C.C. E.W. (GRADE 60)
  4. STEPS REQUIRED
  5. HOE MC-315 FRAME & COVER "SANITARY" SUPPLIED BY ICAST
  6. LIFTERS: 3 EA. WRA016 CONAC WIRE ROPE ANCHORS FOR PLANT & FIELD HANDLING
  7. TOP SURFACE TO RECEIVE FLOATED FINISH



Coating (Int): Coating (Ext):	Seam Up: Tongue Seam Dn: Groove	Wall Thickness: 7"	Height (Ext): 15"	Weight (Net): 3864 lb Volume (Net): 0.99cu.yd
----------------------------------	------------------------------------	--------------------	-------------------	--