

Job Name: 24-1164 Paddy's Run Flood PS  
 Job Location: Louisville, Ky.  
 Contractor: Core & Main LP (Lou)

Plant: Beaver Dam, Ky.  
 5/18/2026 8:15:55 AM

Tech: S. Felletter  
 PC:



**Structure ID: Storm MH**

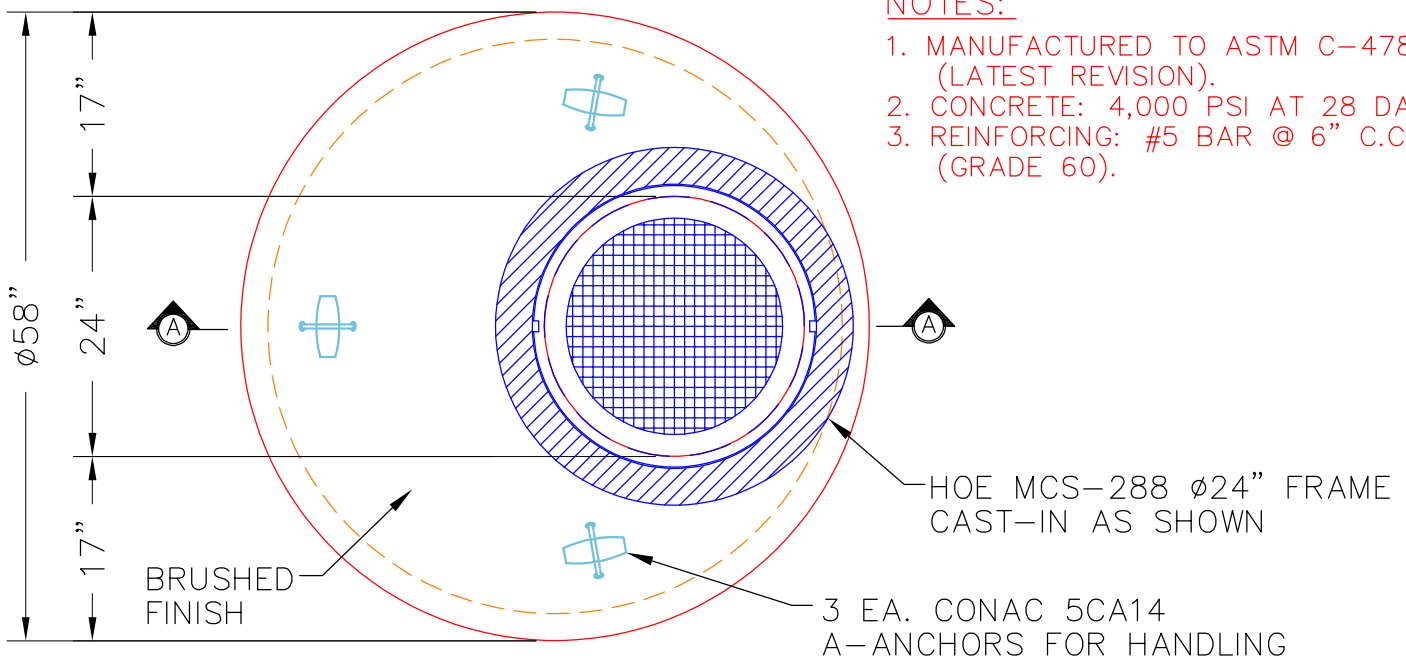
**P1 MH048LD12S**

**MH FLAT TOP SPECIAL (MCS-288) F/G**

- P1) 48" - MH FLAT TOP SPECIAL (MCS-288) F/G - 12"  
 1) CASTING - HOE MCS-288 Cover Storm  
 1) CASTING - HOE MCS-288 Frame  
 1) This Structure Includes a Cast-in Item

1593 lb  
 125 lb  
 123 lb  
 0 lb  
 -----  
 Structure Total: 1841 lb

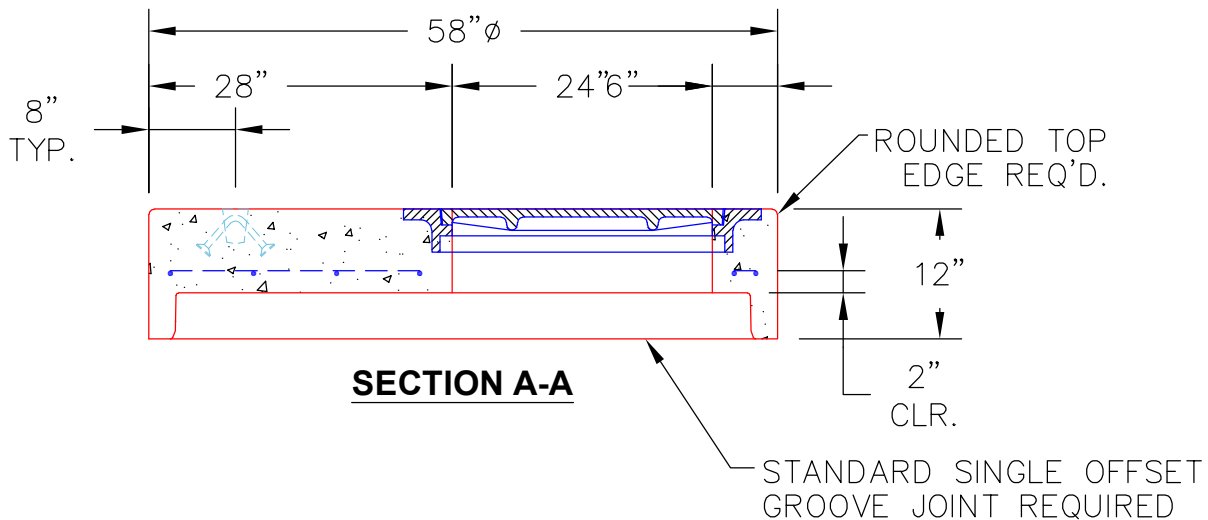
- Structure Notes:** 1. PER ASTM C478 SPECIFICATIONS.  
 2. CONCRETE = 4,000 PSI AT 28 DAYS.  
 3. NO INVERT CHANNEL.  
 4. CASTING BY ICAST (HOE MCS-288). CAST-IN.  
 REINFORCING PER ASTM A615 (GRADE 60).  
 - TOP SLAB (As .62) #5 BARS AT 6" C.C.E.W.



**NOTES:**

1. MANUFACTURED TO ASTM C-478 (LATEST REVISION).
2. CONCRETE: 4,000 PSI AT 28 DAYS.
3. REINFORCING: #5 BAR @ 6" C.C. E.W. (GRADE 60).

**PLAN VIEW**



**SECTION A-A**

Coating (Int):  
 Coating (Ext):

Seam Up: Flat  
 Seam Dn: Groove

Wall Thickness: 5"

Height (Ext): 12"

Weight (Net): 1593 lb  
 Volume (Net): 0.41cu.yd