

Job Name: 23-2404 Hampton Hills (Phase 1)
 Job Location: Richmond, KY
 Contractor: Seven Earthmovers LLC

Plant: 100

Tech: J. Horsley

5/20/2026 5:51:07 PM

PC: C. Golf



Structure ID: SSMH AA-6

P1 MH048BAVF

MH BASE Custom Ht T/n

- P3) 24" - CASTING HEIGHT - 7"
- P2) 48" - ECC CONE w/ 24" HOLE F/G - 42"
- P1) 48" - MH BASE Custom Ht T/n - 29"
- 1) 48" - MH INVERT CHANNEL - FULL HEIGHT
- 1) JOINT WRAP - 0.065"x6"x50' CONSEAL CS212
- 1) JOINT WRAP PRIMER - CONSEAL CS-75 (1 gal.)
- 1) CASTING - HOE MC-350 F/C Sanitary
- 1) 48" - Conseal CS-102 1.00" (Double)
- 1) 24" - Conseal CS-102 1.00" (Double)
- 2) PSX - 12-08 NYLO
- 6) MH Step ML-10-TDS-NCR - 10"

0 lb
 3200 lb
 3260 lb
 1440 lb
 0 lb
 0 lb
 305 lb
 0 lb
 0 lb
 0 lb
 16 lb
 0 lb

Structure Total: 8221 lb

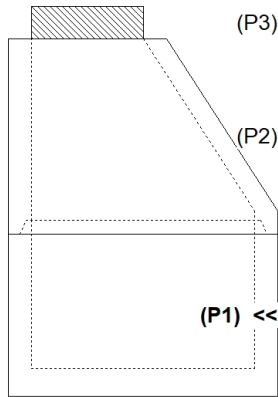
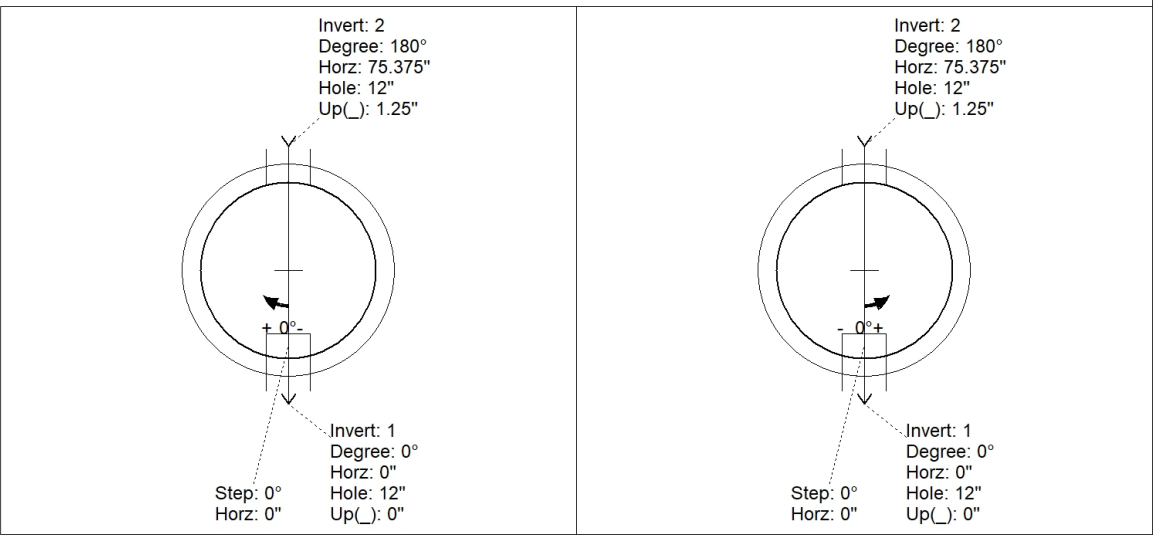
Structure Notes: 1. PER ASTM C478 SPECIFICATIONS.
 2. CONCRETE = 4,000 PSI AT 28 DAYS.
 3. CASTING BY ICAST (HOE MC-350 F/C) SHIPPED LOOSE.
 REINFORCING PER ASTM A615 (GRADE 60).
 - CONE (As .12)
 - RISER/WALLS (As .12)
 - FLOOR (As .31) #5 BARS AT 12" C.C.E.W.

Rim: 909.32' Rim to Invert: 6.39' Slack: 0.68" Sump: 2" Step Position: 0°

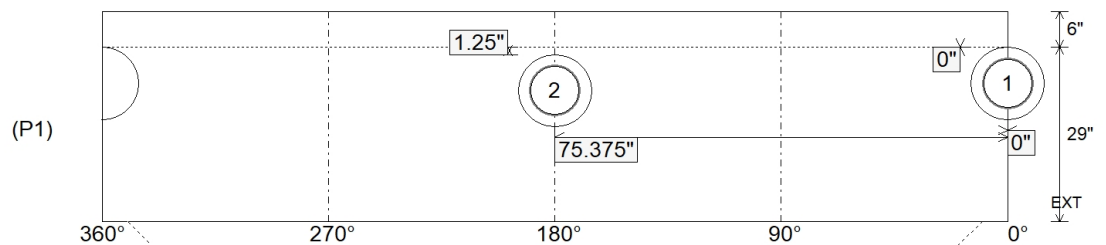
| Position | Elev | Angle | Ext. (cw) | Pipe | Pipe OD | Connector | Hole | Horz Size | Up () | Offset |
|----------|---------|-------|-----------|--------------|---------|----------------|------|-----------|--------|--------|
| Invert 1 | 902.93' | 0° | 0" | 8" PVC SDR35 | 8.5" | PSX 12-08 NYLO | 12" | 12.129" | 0" | 0" |
| Invert 2 | 903.03' | 180° | 91.125" | 8" PVC SDR35 | 8.5" | PSX 12-08 NYLO | 12" | 12.129" | 1.25" | 0" |
| Invert 3 | | | | | | | | | | |
| Invert 4 | | | | | | | | | | |
| Invert 5 | | | | | | | | | | |
| Invert 6 | | | | | | | | | | |
| Invert 7 | | | | | | | | | | |
| Invert 8 | | | | | | | | | | |

RIGHT-SIDE UP VIEW (int. dimensions)

UPSIDE-DOWN VIEW (int. dimensions)



INSIDE WALL DIMENSIONS



Coating (Int):
 Coating (Ext):

Seam Up: Tongue
 Seam Dn: n/a

Wall Thickness: 5"
 Floor Height: 6"

Height (Int): 29"
 Height (Ext): 35"

Weight (Net): 3260 lb
 Volume (Net): 0.83cu.yd

Job Name: 23-2404 Hampton Hills (Phase 1)
 Job Location: Richmond, KY
 Contractor: Seven Earthmovers LLC

Plant: 100

5/20/2026 5:51:07 PM

Tech: J. Horsley

PC: C. Golf



Structure ID: SSMH AA-6

P1A MH048BAVF

MH BASE Custom Ht T/n

- P3) 24" - CASTING HEIGHT - 7"
- P2) 48" - ECC CONE w/ 24" HOLE F/G - 42"
- P1) 48" - MH BASE Custom Ht T/n - 29"
- 1) 48" - MH INVERT CHANNEL - FULL HEIGHT
- 1) JOINT WRAP - 0.065"x6"x50' CONSEAL CS212
- 1) JOINT WRAP PRIMER - CONSEAL CS-75 (1 gal.)
- 1) CASTING - HOE MC-350 F/C Sanitary
- 1) 48" - Conseal CS-102 1.00" (Double)
- 1) 24" - Conseal CS-102 1.00" (Double)
- 2) PSX - 12-08 NYLO
- 6) MH Step ML-10-TDS-NCR - 10"

0 lb
 3200 lb
 3260 lb
 1440 lb
 0 lb
 0 lb
 305 lb
 0 lb
 0 lb
 0 lb
 16 lb
 0 lb

 Structure Total: 8221 lb

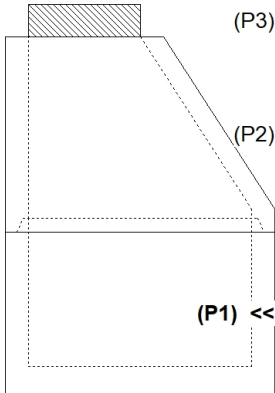
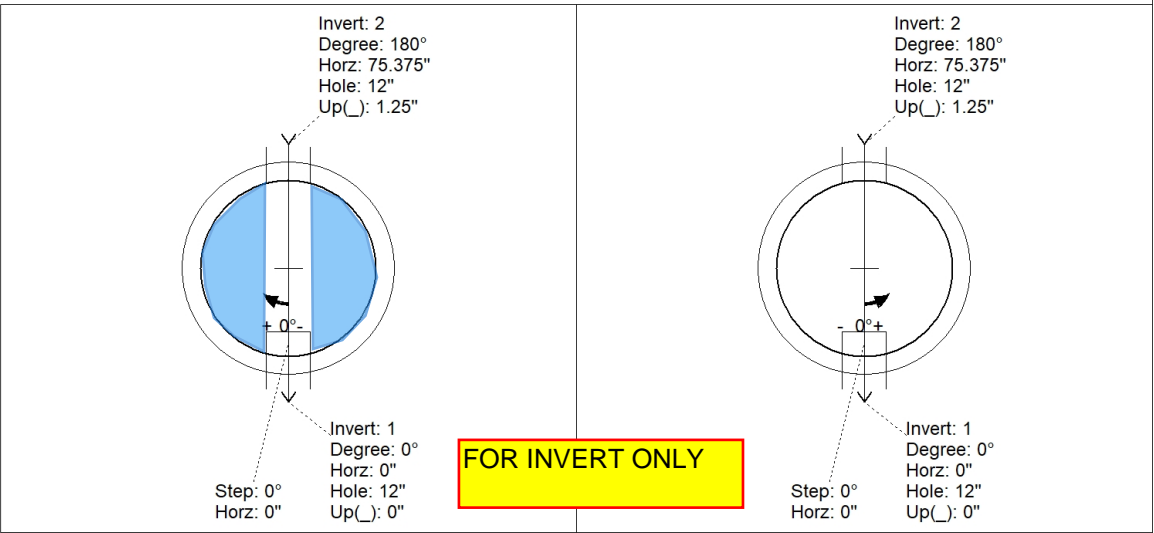
Structure Notes: 1. PER ASTM C478 SPECIFICATIONS.
 2. CONCRETE = 4,000 PSI AT 28 DAYS.
 3. CASTING BY ICAST (HOE MC-350 F/C) SHIPPED LOOSE.
 REINFORCING PER ASTM A615 (GRADE 60).
 - CONE (As .12)
 - RISER/WALLS (As .12)
 - FLOOR (As .31) #5 BARS AT 12" C.C.E.W.

Rim: 909.32' Rim to Invert: 6.39' Slack: 0.68" Sump: 2" Step Position: 0°

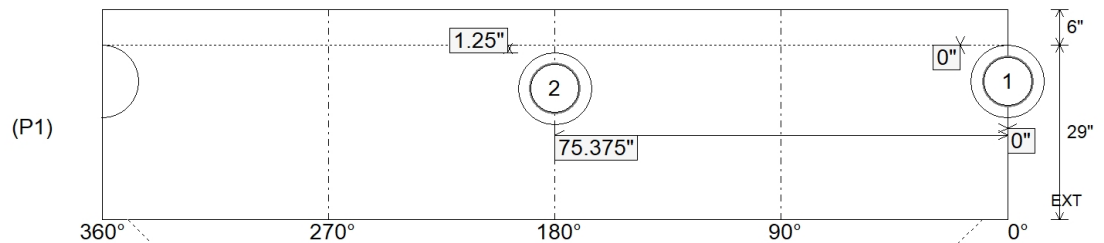
| Position | Elev | Angle | Ext. (cw) | Pipe | Pipe OD | Connector | Hole | Horz Size | Up () | Offset |
|----------|---------|-------|-----------|--------------|---------|----------------|------|-----------|--------|--------|
| Invert 1 | 902.93' | 0° | 0" | 8" PVC SDR35 | 8.5" | PSX 12-08 NYLO | 12" | 12.129" | 0" | 0" |
| Invert 2 | 903.03' | 180° | 91.125" | 8" PVC SDR35 | 8.5" | PSX 12-08 NYLO | 12" | 12.129" | 1.25" | 0" |
| Invert 3 | | | | | | | | | | |
| Invert 4 | | | | | | | | | | |
| Invert 5 | | | | | | | | | | |
| Invert 6 | | | | | | | | | | |
| Invert 7 | | | | | | | | | | |
| Invert 8 | | | | | | | | | | |

RIGHT-SIDE UP VIEW (int. dimensions)

UPSIDE-DOWN VIEW (int. dimensions)



INSIDE WALL DIMENSIONS



Coating (Int):
 Coating (Ext):

Seam Up: Tongue
 Seam Dn: n/a

Wall Thickness: 5"
 Floor Height: 6"

Height (Int): 29"
 Height (Ext): 35"

Weight (Net): 3260 lb
 Volume (Net): 0.83cu.yd