

Structure ID: 10-CS-6

P1 MH072BA24

MH BASE T/n

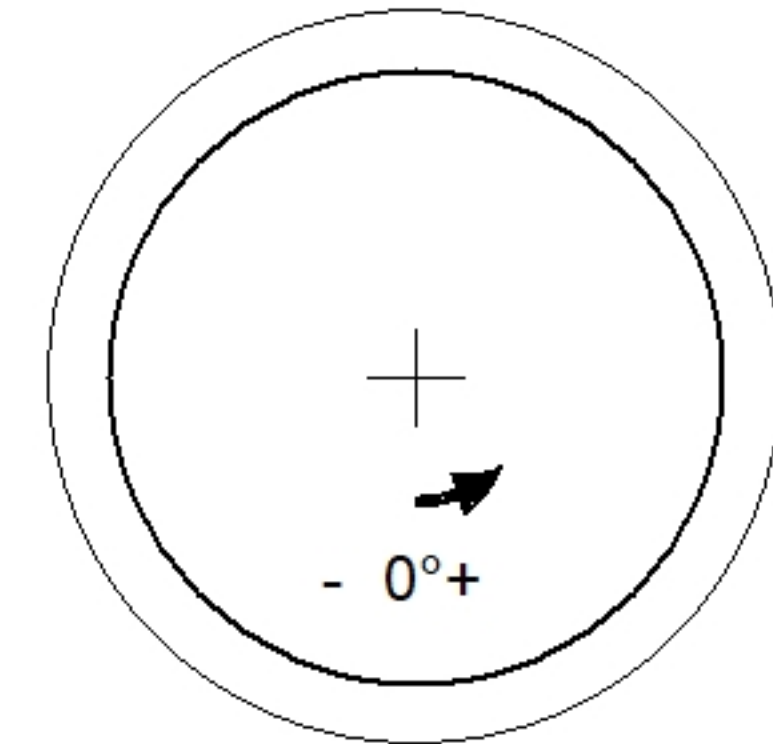
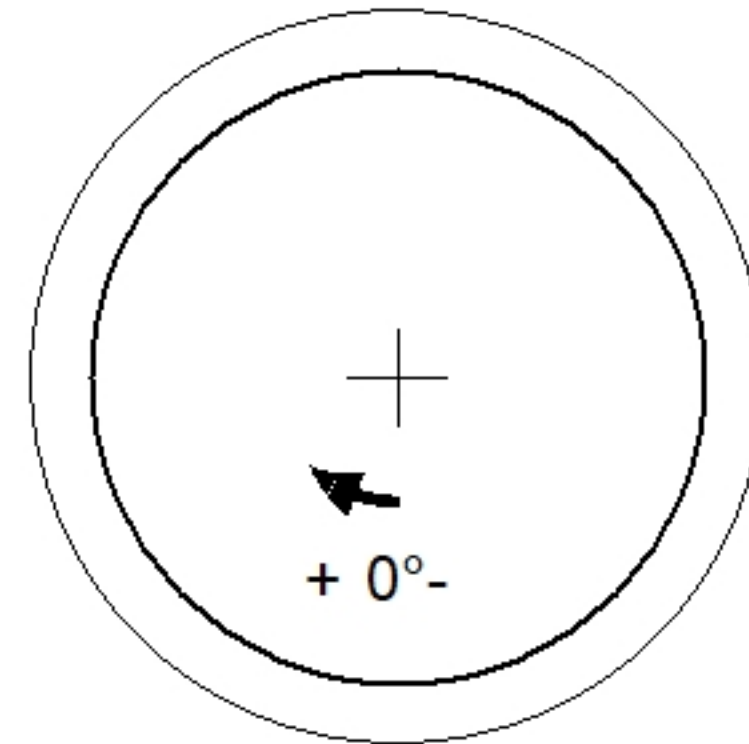
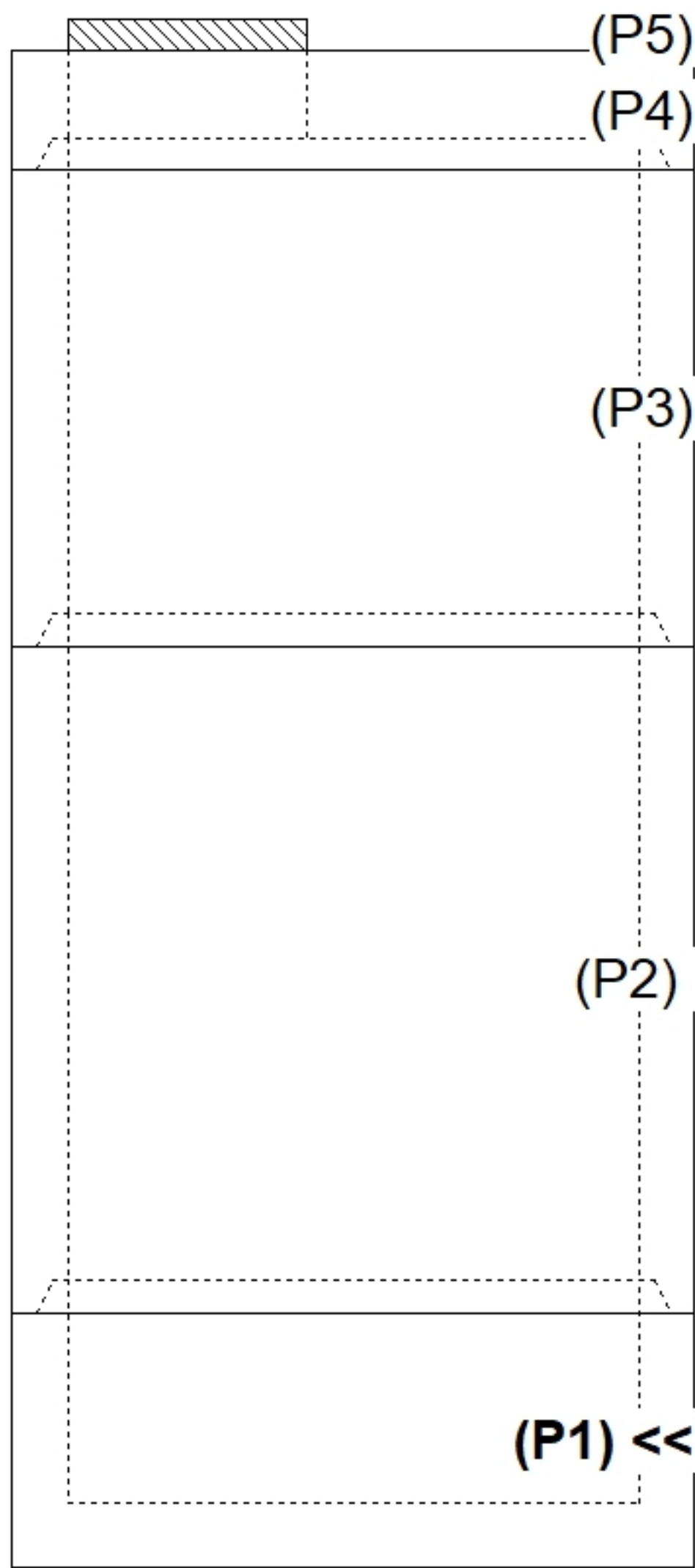
P5) 30" - CASTING HEIGHT - 4" P4) 72" - MH FLAT TOP SPEC. (30" ECC HOLE) F/G - 15" P3) 72" - MH RISER T/G - 60" P2) 72" - MH RISER T/G - 84" P1) 72" - MH BASE T/n - 24" 1) ASSEMBLY REQUIRED 1) CVSTENCILING 3) 72" - Conseal CS-102 1.00" 2) Hole - 16	0 lb 4661 lb 8747 lb 12008 lb 7398 lb 0 lb 0 lb 0 lb 0 lb 0 lb	Structure Notes: 4" CASTING BY OTHERS . LIFTING ANCHORS TO BE INSTALLED ON THE OUTSIDE OF THE STRUCTURE . ICAST TO INSTALL THE INTERNALS . CONTECH'S LOGO AS WELL AS THE INLET AND OUTLET MUST BE STENCILED ONTO THE STRUCTURE
Structure Total: 32814 lb		

Rim: 455.84' Rim to Invert: 10.76' Slack: 11.156" Sump: 69.036" Step Position: 0°

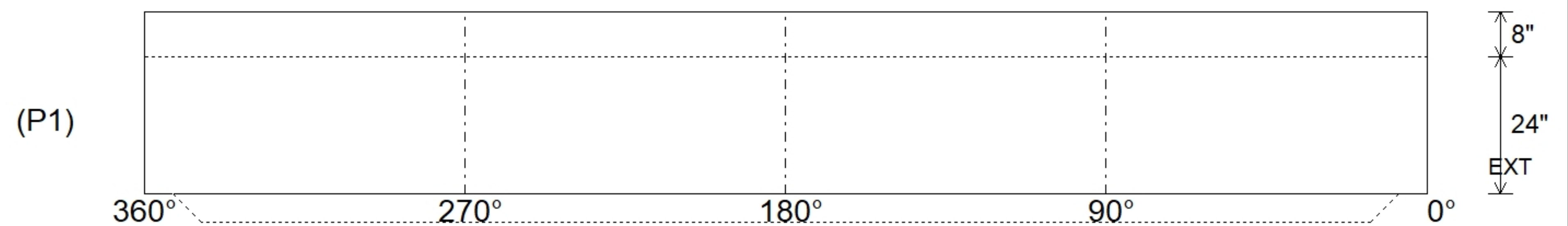
Position	Elev	Angle	Ext. (cw)	Pipe	Pipe OD	Connector	Hole	Horz Size	Up (L)	Offset
Invert 1										
Invert 2										
Invert 3										
Invert 4										
Invert 5										
Invert 6										
Invert 7										
Invert 8										

RIGHT-SIDE UP VIEW (int. dimensions)

UPSIDE-DOWN VIEW (int. dimensions)



INSIDE WALL DIMENSIONS



Coating (Int):	Seam Up: Tongue	Wall Thickness: 7"	Height (Int): 24"
Coating (Ext):	Seam Dn: n/a	Floor Height: 8"	Height (Ext): 32"
		Weight (Net): 7398 lb	
		Volume (Net): 1.89cu.yd	