

Job Name: 25-3452 - Churchill Downs Skye Terrace Improvements  
 Job Location: Louisville, KY 40208  
 Contractor: Louisville Paving and Construction

Plant: 100  
 4/30/2026 1:21:54 PM

Tech: Jared - F  
 PC: J. Jarvis



**Structure ID: S216**

**P1 MH060BAVF**

**MH BASE Custom Ht T/n**

P4) 24" - CASTING HEIGHT - 7"	0 lb
P3) 60" - MH FLAT TOP w/ 24" ECC Hole F/G - 13"	2869 lb
P2) 60" - MH RISER T/G - 24"	2505 lb
P1) 60" - MH BASE Custom Ht T/n - 65"	8437 lb
1) CASTING - HOE MC-420 F/C Storm	340 lb
2) 60" - Conseal CS-102 1.00"	0 lb
1) Hole - 38	0 lb
1) Hole - 16	0 lb
1) Hole - 30	0 lb
7) MH Step ML-10-TDS-NCR - 10"	0 lb
<b>Structure Total:</b>	<b>14151 lb</b>

**Structure Notes:**  
 1. PER ASTM C478 SPECIFICATIONS.  
 2. CONCRETE = 4,000 PSI AT 28 DAYS.  
 3. NO INVERT CHANNEL.  
 4. CASTING BY ICAST (HOE MC-420 F/C STORM)

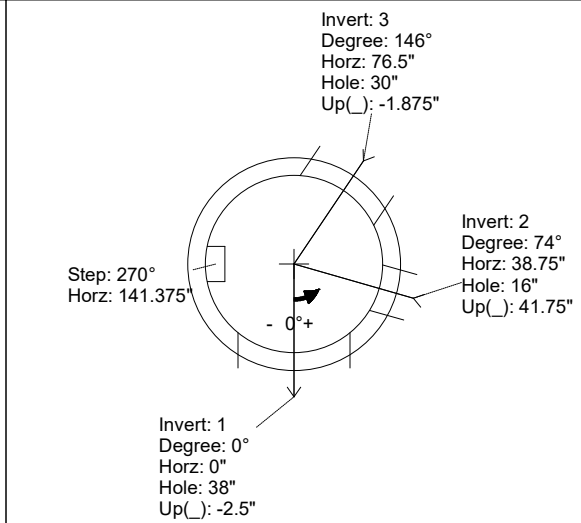
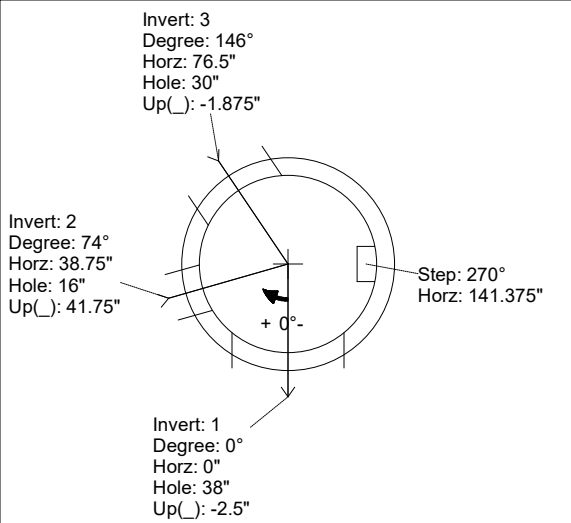
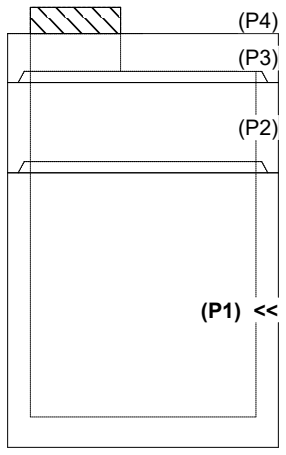
REINFORCING PER ASTM A615 (GRADE 60).  
 - TOP SLAB (As .62) #5 BARS AT 6" C.C.E.W..  
 - RISER/WALLS (As .18)  
 - FLOOR (As .37) #5 BARS AT 10" C.C.E.W.

Rim: 454.62' Rim to Invert: 9.14' Slack: 0.68" Sump: 0" Step Position: 270°

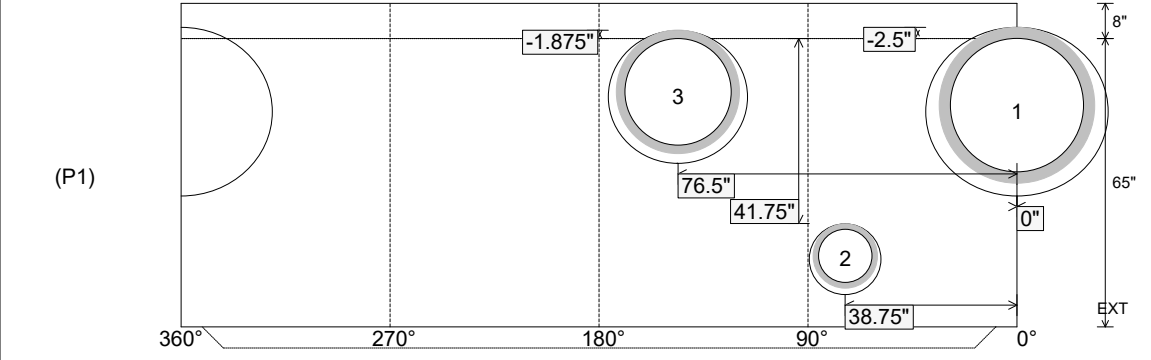
Position	Elev	Angle	Ext. (cw)	Pipe	Pipe OD	Connector	Hole	Horz Size	Up ( )	Offset
Invert 1	445.48'	0°	0"	30" HDPE	35.1"	Hole 38	38"	41.151"	-2.5"	0"
Invert 2	449.06'	74°	46.5"	12" HDPE	14.5"	Hole 16	16"	16.196"	41.75"	0"
Invert 3	445.48'	146°	91.75"	24" HDPE	27.8"	Hole 30	30"	31.416"	-1.875"	0"
Invert 4										
Invert 5										
Invert 6										
Invert 7										
Invert 8										

RIGHT-SIDE UP VIEW (int. dimensions)

UPSIDE-DOWN VIEW (int. dimensions)



INSIDE WALL DIMENSIONS



Coating (Int): Coating (Ext):	Seam Up: Tongue Seam Dn: n/a	Wall Thickness: 6" Floor Height: 8"	Height (Int): 65" Height (Ext): 73"	Weight (Net): 8437 lb Volume (Net): 2.15cu.yd
----------------------------------	---------------------------------	--	--	--