

Job Name: 24-4112 - Ohio River Service Area Rehab  
 Job Location: Louisville, KY 40222  
 Contractor: TRC, LLC

Plant: Beaver Dam, KY

Tech: K. Cardwell

5/13/2026 2:57:20 PM

PC: A. Wells



**Structure ID: 955**

**P1 MH048BA24**

**MH BASE T/n**

- P4) 24" - CASTING HEIGHT - 7"
- P3) 48" - ECC CONE w/ 24" HOLE F/G - 42"
- P2) 48" - MH RISER T/G - 36"
- P1) 48" - MH BASE T/n - 24"

- 1) JOINT WRAP PRIMER - CONSEAL CS-75 (1 gal.)
- 1) JOINT WRAP - 0.065"x6"x50' CONSEAL CS212
- 1) 48" - SAN. INV. CHANNEL - FULL HEIGHT
- 2) 48" - Conseal CS-102 1.00" (Double)
- 1) 24" - Conseal CS-102 1.00" (Double)
- 3) PSX - 12-08 NYLO
- 8) MH Step ML-10-TDS-NCR - 10"

- Structure Notes:**  
 STATION: 3+62.99 CLUB DR  
 1. PER MSD & ASTM C-478 SPECIFICATIONS  
 2. CONCRETE: 5,000 PSI AT 28 DAYS  
 3. REINFORCEMENT: PER ASTM A615  
 4. INVERT CHANNEL REQUIRED  
 5. STEPS AT 71 DEGREES  
 6. 7" CASTING SUPPLIED BY OTHERS

0 lb  
 3200 lb  
 2515 lb  
 2863 lb  
 0 lb  
 0 lb  
 1440 lb  
 0 lb  
 0 lb  
 24 lb  
 0 lb  
 -----  
 Structure Total: 10042 lb

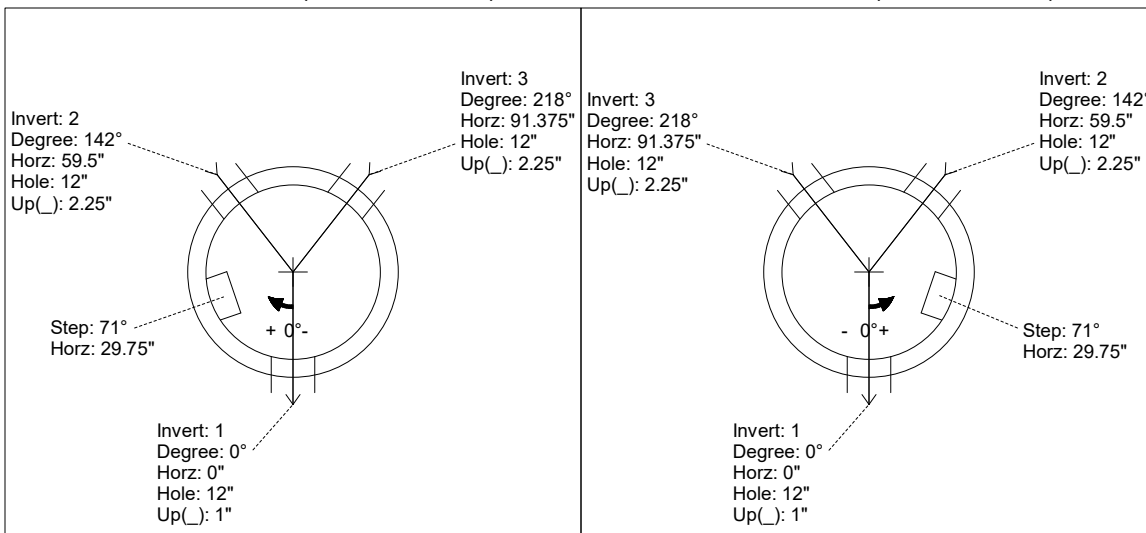
Structure Total: 10042 lb

Rim: 666.7' Rim to Invert: 8.98' Slack: 1.76" Sump: 3" Step Position: 71°

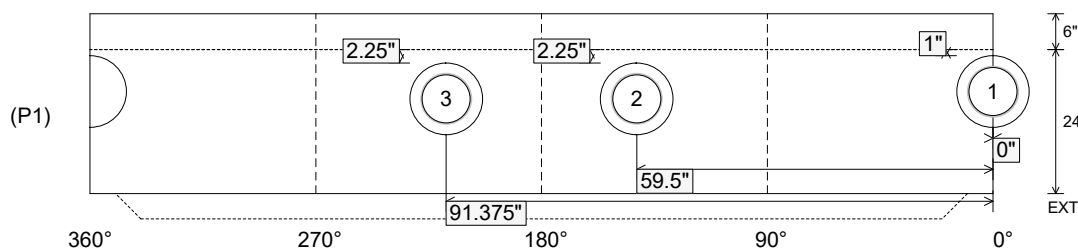
Position	Elev	Angle	Ext. (cw)	Pipe	Pipe OD	Connector	Hole	Horz Size	Up ( )	Offset
Invert 1	657.72'	0°	0"	8" PVC SDR35	8.5"	PSX 12-08 NYLO	12"	12.129"	1"	0"
Invert 2	657.82'	142°	71.875"	8" PVC SDR35	8.5"	PSX 12-08 NYLO	12"	12.129"	2.25"	0"
Invert 3	657.82'	218°	110.375"	8" PVC SDR35	8.5"	PSX 12-08 NYLO	12"	12.129"	2.25"	0"
Invert 4										
Invert 5										
Invert 6										
Invert 7										
Invert 8										

RIGHT-SIDE UP VIEW (int. dimensions)

UPSIDE-DOWN VIEW (int. dimensions)



INSIDE WALL DIMENSIONS



Coating (Int):  
 Coating (Ext):

Seam Up: Tongue  
 Seam Dn: n/a

Wall Thickness: 5"  
 Floor Height: 6"

Height (Int): 24"  
 Height (Ext): 30"

Weight (Net): 2863 lb  
 Volume (Net): 0.73cu.yd

**Structure ID: 955**

**P1 MH048BA24**

**MH BASE T/n**

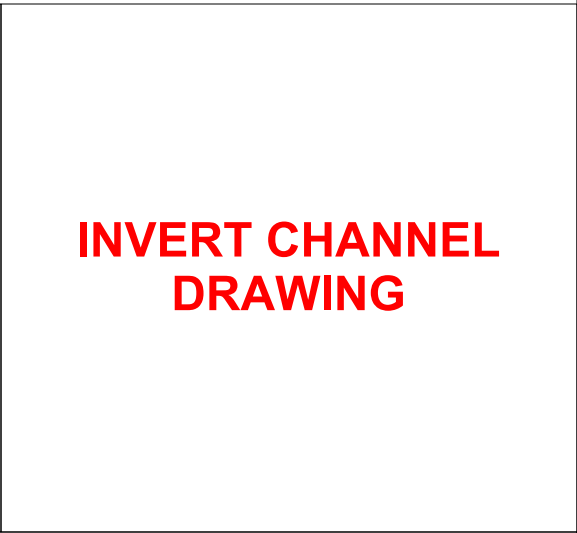
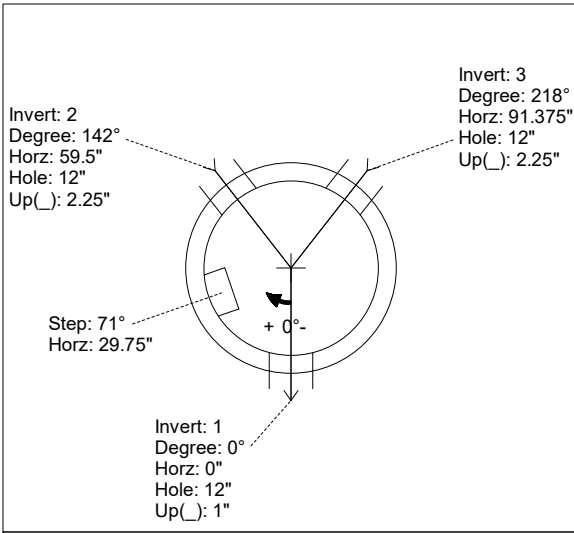
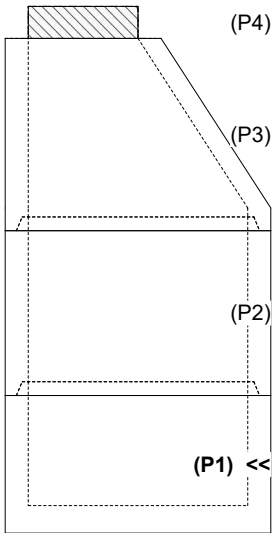
P4) 24" - CASTING HEIGHT - 7" P3) 48" - ECC CONE w/ 24" HOLE F/G - 42" P2) 48" - MH RISER T/G - 36" P1) 48" - MH BASE T/n - 24" 1) JOINT WRAP PRIMER - CONSEAL CS-75 (1 gal.) 1) JOINT WRAP - 0.065"x6"x50' CONSEAL CS212 1) 48" - SAN. INV. CHANNEL - FULL HEIGHT 2) 48" - Conseal CS-102 1.00" (Double) 1) 24" - Conseal CS-102 1.00" (Double) 3) PSX - 12-08 NYLO 8) MH Step ML-10-TDS-NCR - 10"	0 lb 3200 lb 2515 lb 2863 lb 0 lb 0 lb 1440 lb 0 lb 0 lb 24 lb 0 lb <hr style="width: 50px; margin-left: 0;"/> Structure Total: 10042 lb
---	---

**Structure Notes:**  
 STATION: 3+62.99 CLUB DR  
 1. PER MSD & ASTM C-478 SPECIFICATIONS  
 2. CONCRETE: 5,000 PSI AT 28 DAYS  
 3. REINFORCEMENT: PER ASTM A615  
 4. INVERT CHANNEL REQUIRED  
 5. STEPS AT 71 DEGREES  
 6. 7" CASTING SUPPLIED BY OTHERS

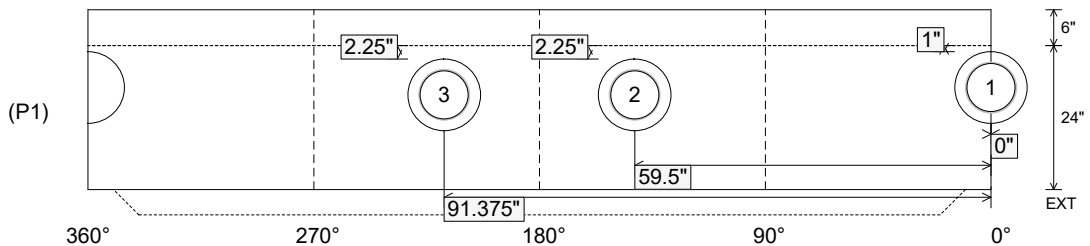
Rim: 666.7'    Rim to Invert: 8.98'    Slack: 1.76"    Sump: 3"    Step Position: 71°

Position	Elev	Angle	Ext. (cw)	Pipe	Pipe OD	Connector	Hole	Horz Size	Up ( )	Offset
Invert 1	657.72'	0°	0"	8" PVC SDR35	8.5"	PSX 12-08 NYLO	12"	12.129"	1"	0"
Invert 2	657.82'	142°	71.875"	8" PVC SDR35	8.5"	PSX 12-08 NYLO	12"	12.129"	2.25"	0"
Invert 3	657.82'	218°	110.375"	8" PVC SDR35	8.5"	PSX 12-08 NYLO	12"	12.129"	2.25"	0"
Invert 4										
Invert 5										
Invert 6										
Invert 7										
Invert 8										

**RIGHT-SIDE UP VIEW (int. dimensions)      UPSIDE-DOWN VIEW (int. dimensions)**



**INSIDE WALL DIMENSIONS**



Coating (Int): Coating (Ext):	Seam Up: Tongue Seam Dn: n/a	Wall Thickness: 5" Floor Height: 6"	Height (Int): 24" Height (Ext): 30"	Weight (Net): 2863 lb Volume (Net): 0.73cu.yd
----------------------------------	---------------------------------	--	--	--