

Structure ID: JB #1-6 JBB

P2 BX2430-08R24

BOX RISER 8inW F/G

P4) CASTING (cast in) - 0 P3) 24" x 30" - BX FLAT LID 8inW SPEC. (KY JB-B1) F/F - 8" P2) 24" x 30" - BOX RISER 8inW F/G - 24" P1) 24" x 30" - BOX BASE 8inW, 8inF T/n - 48" 1) CASTING - HOE KY-206 F/C (KY TY1) 1) This Structure Includes a Cast-in Item 2) 24" x 30" - Conseal CS-102 1.00" 1) 24" - Conseal CS-102 1.00" 2) Hole - 24	0 lb 931 lb 2256 lb 5139 lb 206 lb 0 lb 0 lb 0 lb 0 lb ----- 0 lb	Structure Total: 8532 lb
---	---	--------------------------

Structure Notes:

1. KYTC JUNCTION BOX B1 / PER ASTM C913 SPEC'S.
2. CONCRETE = 4,000 PSI AT 28 DAYS.
3. TOP SLAB w KYTC TYPE 1 F/C CAST FLUSH.
4. CASTING BY ICAST (HOE KY-206 F/C). CAST-IN.

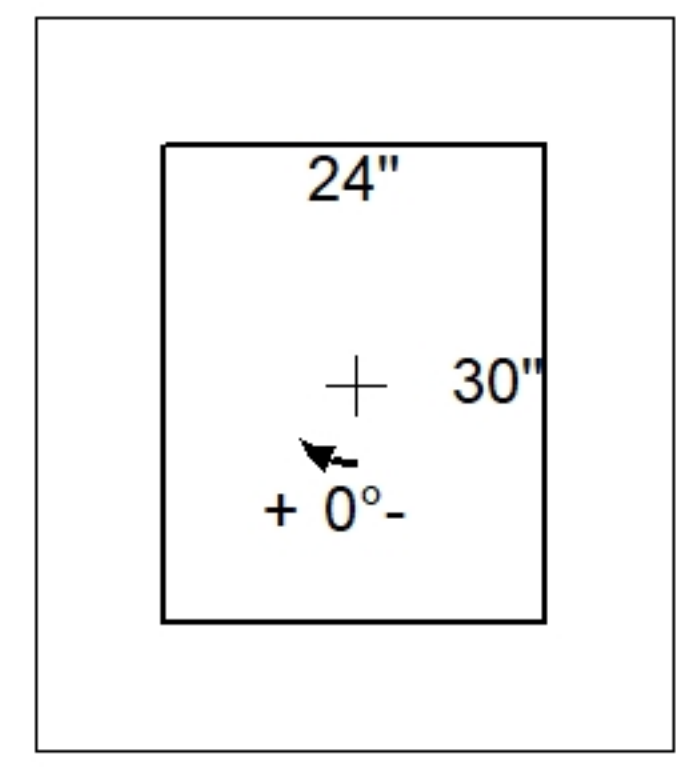
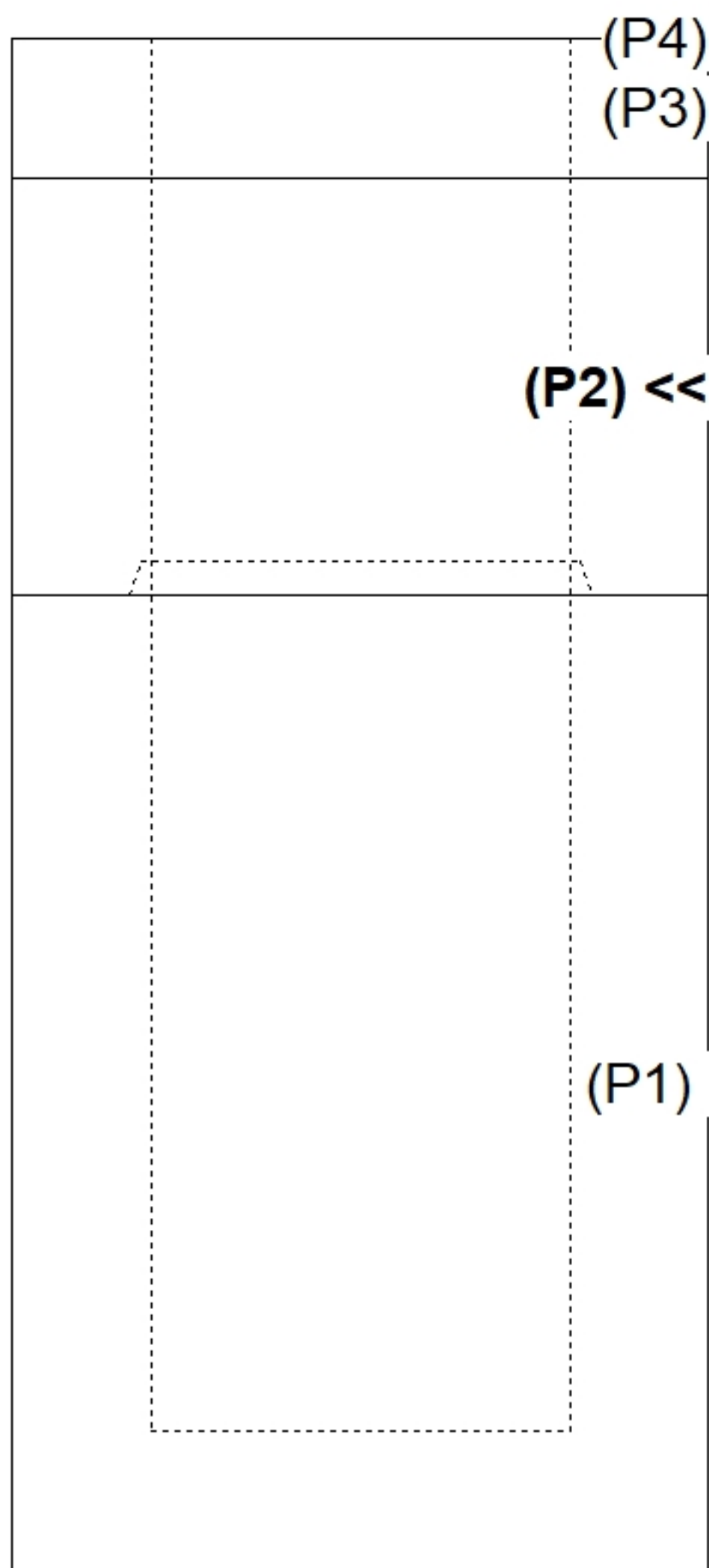
REINFORCING PER ASTM A615 (GRADE 60).

- TOP SLAB (As. 62) #5 BARS AT 6" C.C.E.W.
- WALLS (As .31) #5 BARS AT 12" C.C.E.W.
- FLOOR (As .31) #5 BARS AT 12" C.C.E.W.

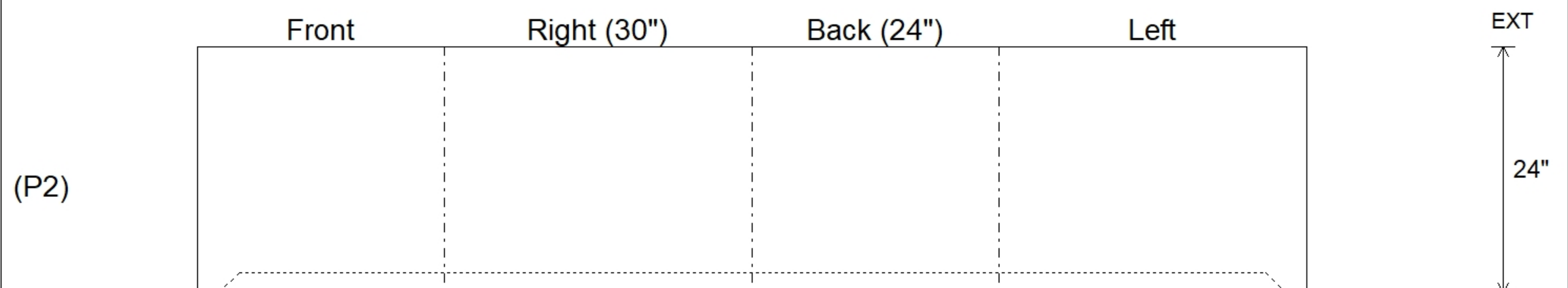
Rim: 779' Rim to Invert: 7' Slack: 4" Sump: 0" Step Position:

Position	Elev	Angle	Ext. (cw)	Pipe	Pipe OD	Connector	Hole	Horz Size	Up (L)	Offset
Invert 1										
Invert 2										
Invert 3										
Invert 4										
Invert 5										
Invert 6										
Invert 7										
Invert 8										

RIGHT-SIDE UP VIEW (int. dimensions)



INSIDE WALL DIMENSIONS



Coating (Int):	Seam Up: Flat Seam Dn: Groove	Wall Thickness: 8" Floor Height: 0"	Height (Int): 24" Height (Ext): 24"	Weight (Net): 2256 lb Volume (Net): 0.58cu.yd
----------------	----------------------------------	--	--	--