

**Structure ID: CI #1-2 CBIF**

**P1 BX2424-08BAVF**

**BOX BASE 8inW, 8inF, Variable Ht T/n**

P3) 24" x 24" - CASTING HEIGHT - 5" P2) 24" x 24" - BOX RISER 8inW F/G - 24" P1) 24" x 24" - BOX BASE 8inW, 8inF, Variable Ht T/n - 43" 1) CASTING - HOE KY-465 SET (CBI TY F) 2) 24" x 24" - Conseal CS-102 1.00" 1) Hole - 20 1) Hole - 22	0 lb 2062 lb 4281 lb 465 lb 0 lb 0 lb 0 lb 0 lb ----- Structure Total: 6808 lb
--	---

**Structure Notes:**  
 1. KYTC CBI TYPE F / ASTM C913 SPECIFICATIONS.  
 2. CONCRETE = 4,000 PSI AT 28 DAYS.  
 3. CASTING BY ICAST (HOE KY-465 SET)

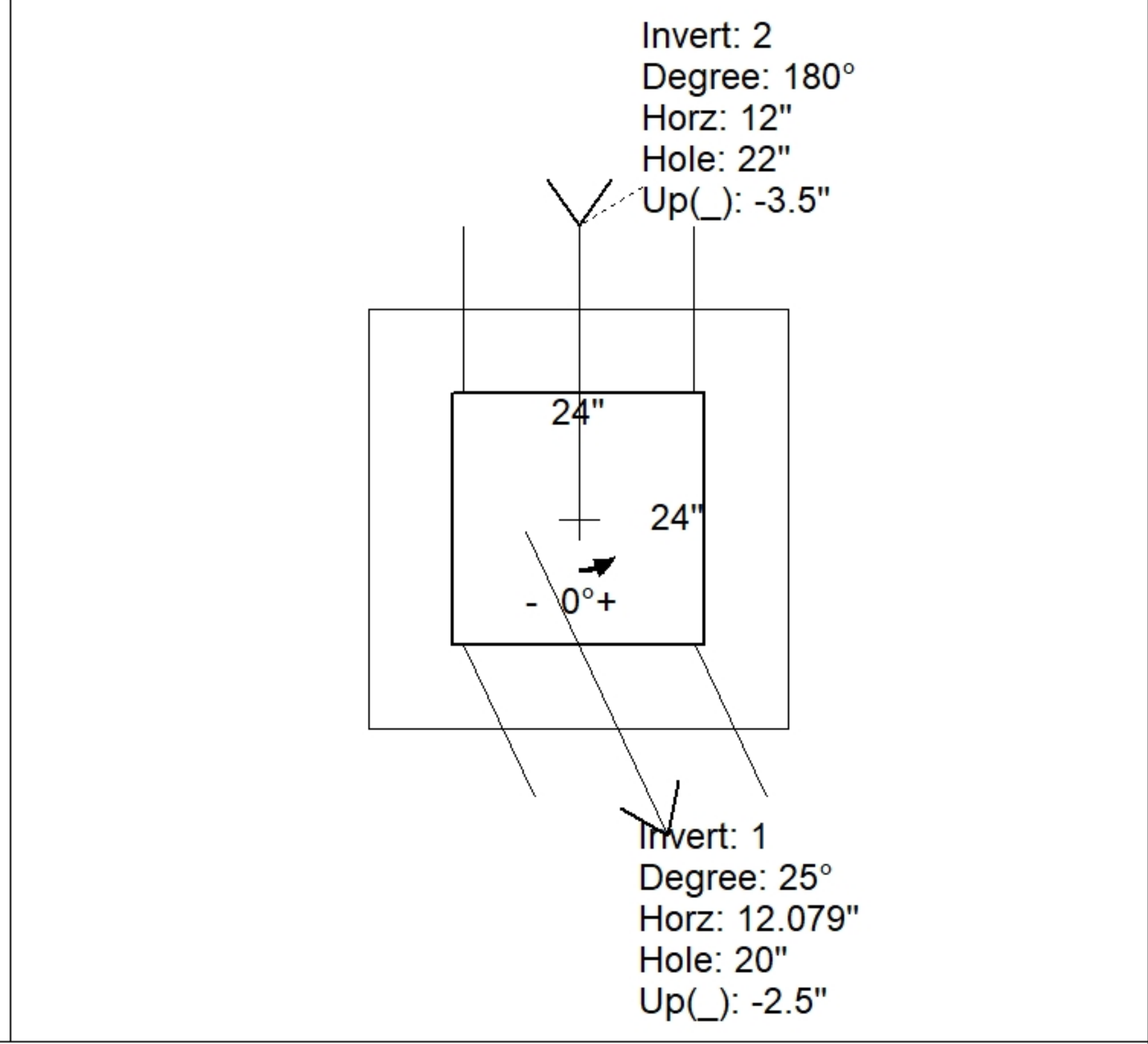
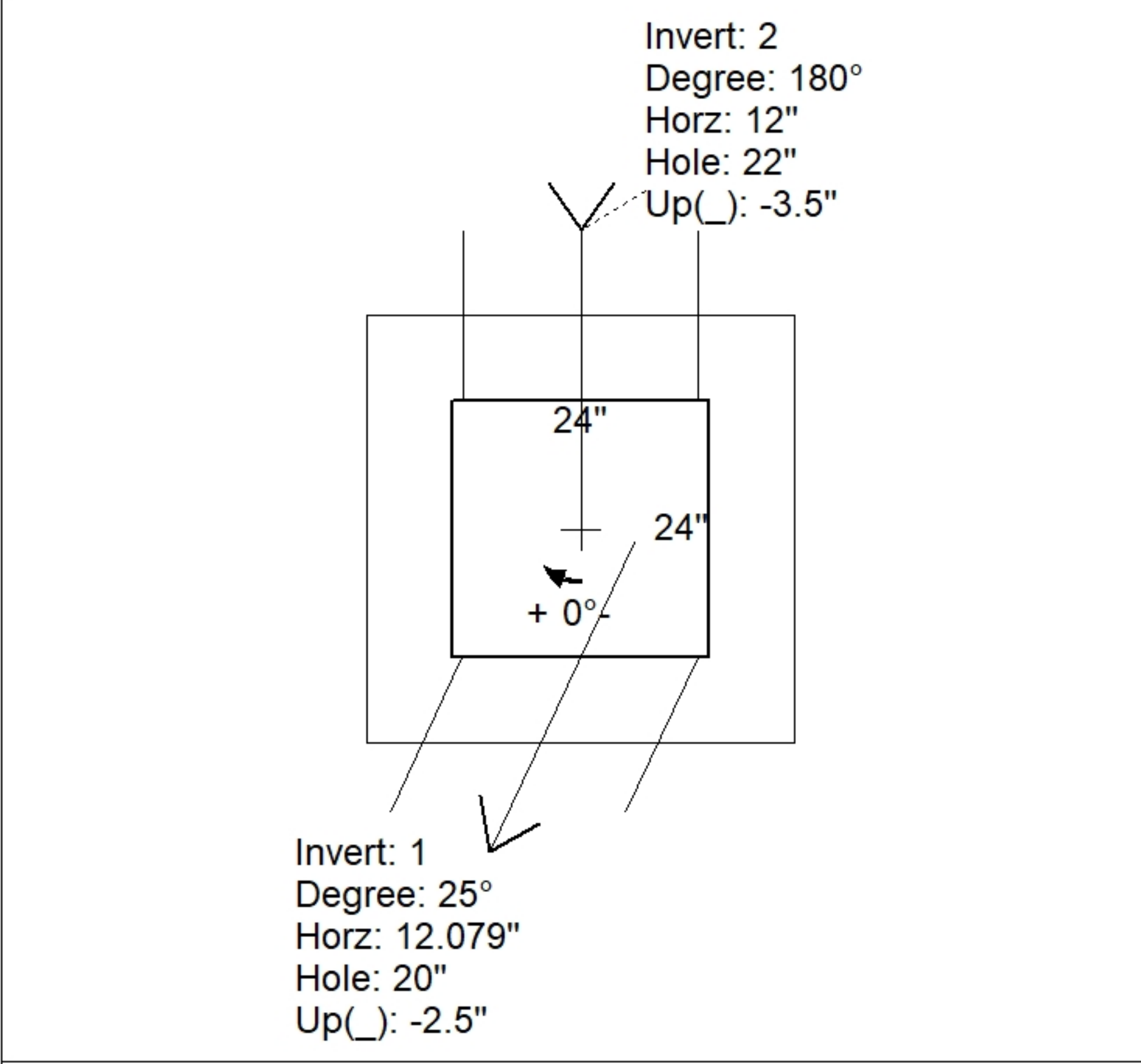
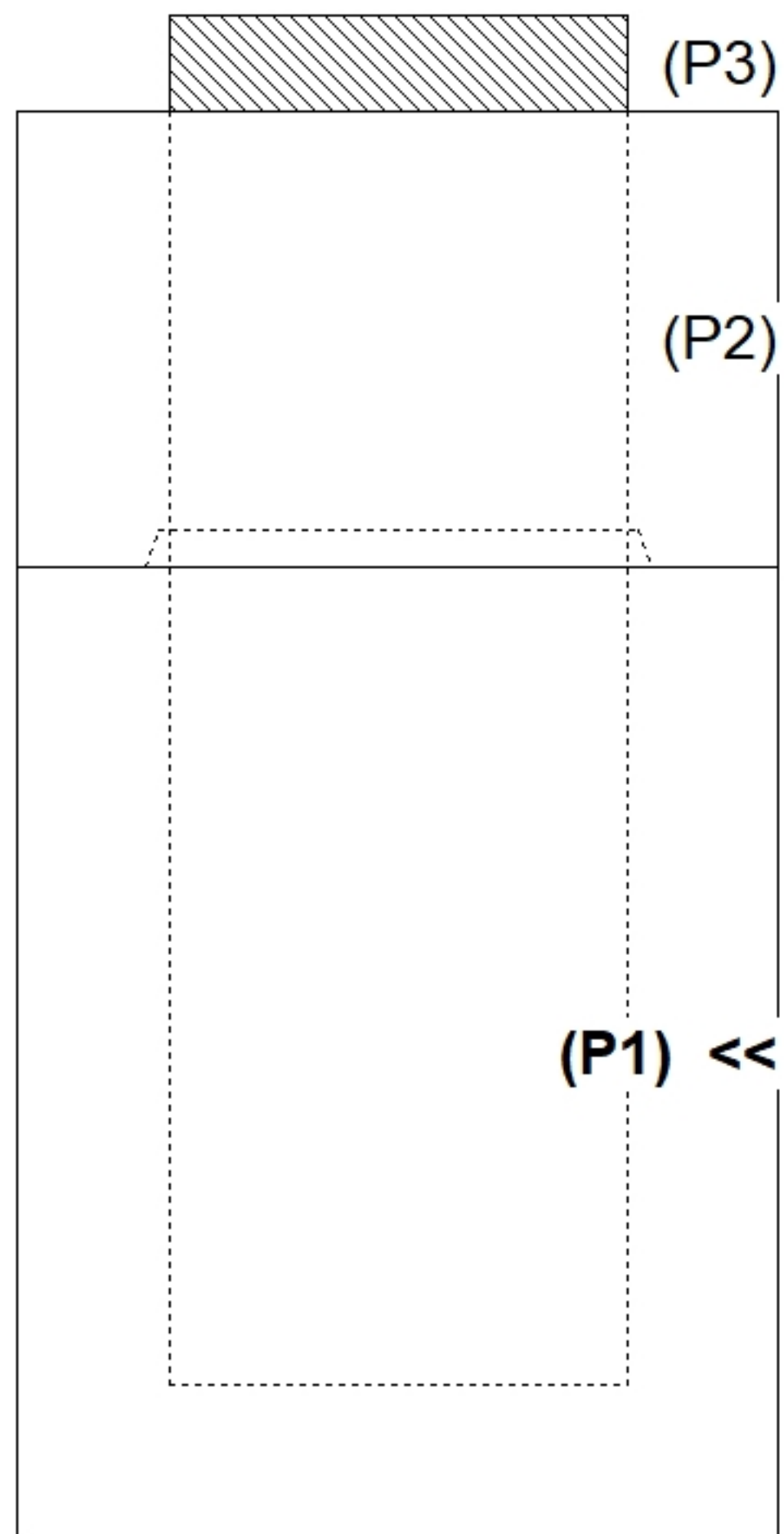
REINFORCING PER ASTM A615 (GRADE 60).  
 - WALLS (As .31) #5 BARS AT 12" C.C.E.W.  
 - FLOOR (As .31) #5 BARS AT 12" C.C.E.W.

Rim: 761.62'    Rim to Invert: 6'    Slack: 0"    Sump: 0"    Step Position:

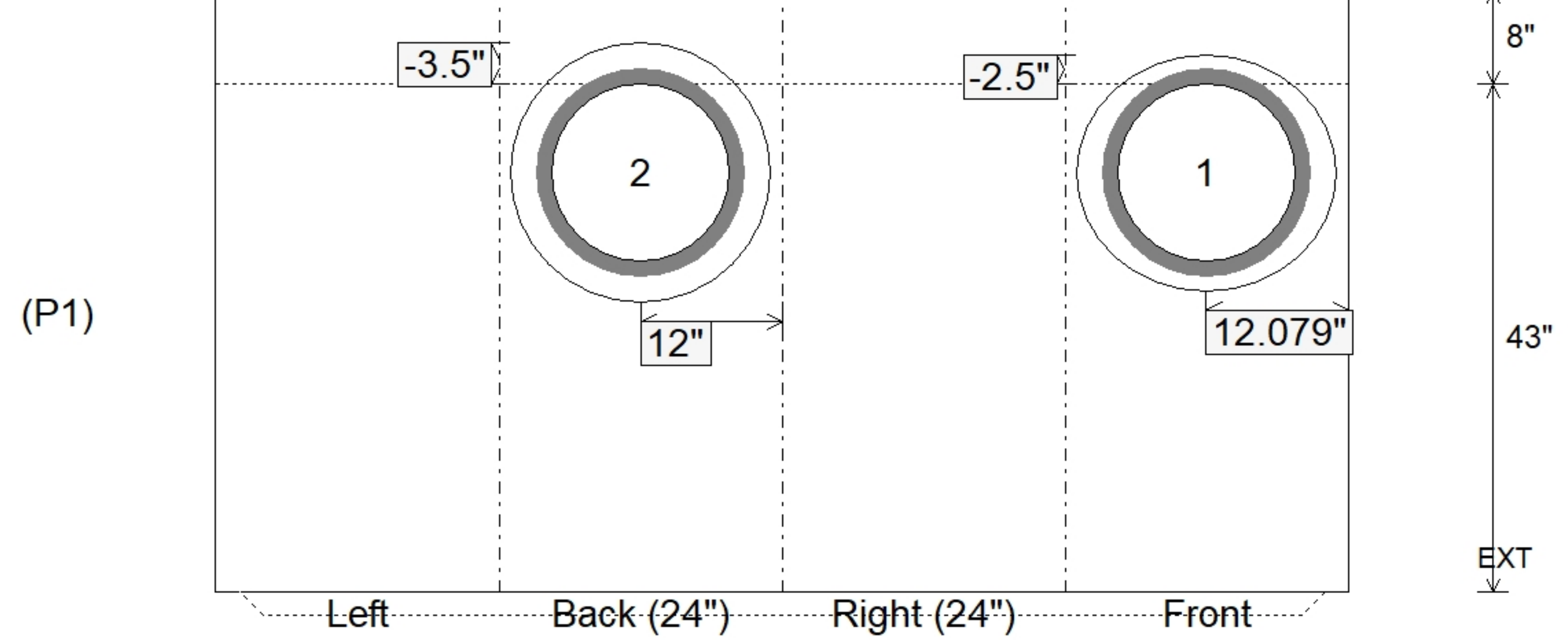
Position	Elev	Angle	Ext. (cw)	Pipe	Pipe OD	Connector	Hole	Horz Size	Up ( )	Offset
Invert 1	755.62'	25°	23.809"	15" HDPE	17.6"	Hole 20	20"	22.068"	-2.5"	-5"
Invert 2	755.62'	180°	20"	15" HDPE	17.6"	Hole 22	22"	22"	-3.5"	0"
Invert 3										
Invert 4										
Invert 5										
Invert 6										
Invert 7										
Invert 8										

**RIGHT-SIDE UP VIEW (int. dimensions)**

**UPSIDE-DOWN VIEW (int. dimensions)**



**INSIDE WALL DIMENSIONS**



Coating (Int): Coating (Ext):	Seam Up: Tongue Seam Dn: n/a	Wall Thickness: 8" Floor Height: 8"	Height (Int): 43" Height (Ext): 51"	Weight (Net): 4281 lb Volume (Net): 1.09cu.yd
----------------------------------	---------------------------------	--	--	--