

Job Name: 25-4508 - Georgetown Commons Target  
 Job Location: Georgetown, KY  
 Contractor: Winwater Hartford KY Co.

Plant: 100  
 5/27/2026 8:36:46 PM

Tech: Jared - F  
 PC: A. Chambers



**Structure ID: SSMH 1**

**P1 MH048BA30**

**MH BASE T/n**

- P4) 24" - CASTING HEIGHT - 7"
- P3) 24" - GRADE RING F/F - 4"
- P2) 48" - ECC CONE w/ 24" HOLE F/G - 36"
- P1) 48" - MH BASE T/n - 30"
- 1) JOINT WRAP - 12" WD x 048" MAC WRAP
- 1) 48" - MH INVERT CHANNEL - FULL HEIGHT
- 1) Inflow Dish FOR MC-375
- 1) CASTING - HOE MC-375 F/C GMWSS
- 1) 48" - Conseal CS-102 1.00" (Double)
- 1) A-Lok - 0285
- 2) A-Lok - 0200

0 lb  
 270 lb  
 3000 lb  
 3362 lb  
 0 lb  
 1440 lb  
 2 lb  
 271 lb  
 0 lb  
 1 lb  
 2 lb  
 -----  
 Structure Total: 8348 lb

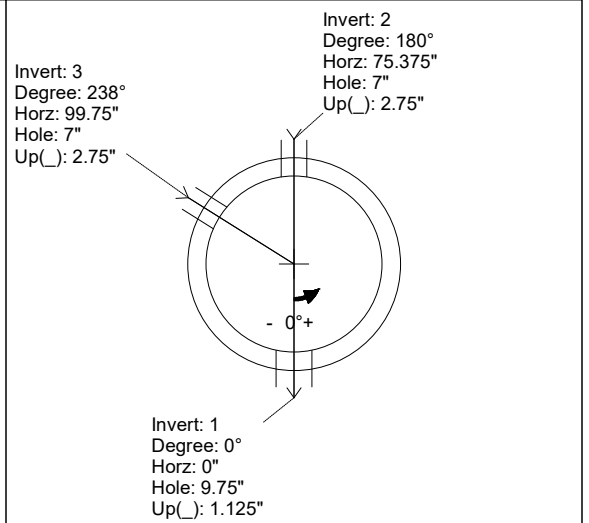
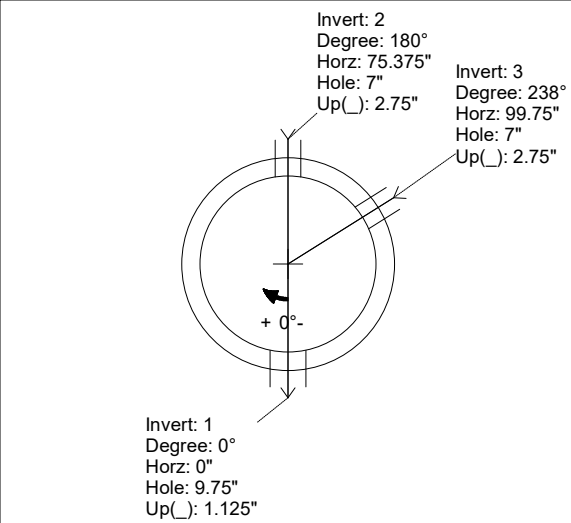
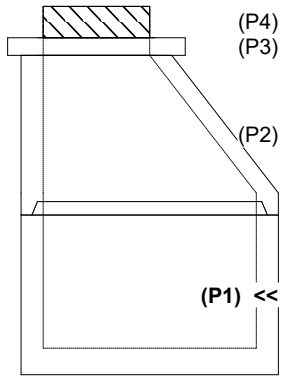
**Structure Notes:**  
 1. PER ASTM C478 SPECIFICATIONS.  
 2. CONCRETE = 4,000 PSI AT 28 DAYS.  
 3. NO STEPS.  
 4. CASTING BY ICAST (HOE MC-375 F/C GMWSS).  
  
 REINFORCING PER ASTM A615 (GRADE 60).  
 - CONE (As .12)  
 - RISER/WALLS (As .12)  
 - FLOOR (As .31) #5 BARS AT 12" C.C.E.W.

Rim: 874.23' Rim to Invert: 6.33' Slack: 0.96" Sump: 2" Step Position:

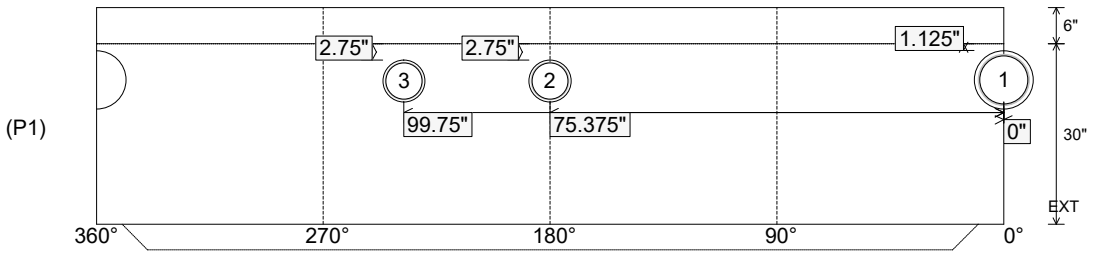
| Position | Elev   | Angle | Ext. (cw) | Pipe         | Pipe OD | Connector  | Hole  | Horz Size | Up ( ) | Offset |
|----------|--------|-------|-----------|--------------|---------|------------|-------|-----------|--------|--------|
| Invert 1 | 867.9' | 0°    | 0"        | 8" PVC SDR35 | 8.5"    | A-Lok 0285 | 9.75" | 9.818"    | 1.125" | 0"     |
| Invert 2 | 868'   | 180°  | 91.125"   | 6" PVC SDR35 | 6.25"   | A-Lok 0200 | 7"    | 7.025"    | 2.75"  | 0"     |
| Invert 3 | 868'   | 238°  | 120.5"    | 6" PVC SDR35 | 6.25"   | A-Lok 0200 | 7"    | 7.025"    | 2.75"  | 0"     |
| Invert 4 |        |       |           |              |         |            |       |           |        |        |
| Invert 5 |        |       |           |              |         |            |       |           |        |        |
| Invert 6 |        |       |           |              |         |            |       |           |        |        |
| Invert 7 |        |       |           |              |         |            |       |           |        |        |
| Invert 8 |        |       |           |              |         |            |       |           |        |        |

RIGHT-SIDE UP VIEW (int. dimensions)

UPSIDE-DOWN VIEW (int. dimensions)



INSIDE WALL DIMENSIONS



|                                  |                                 |  |  |  |
|----------------------------------|---------------------------------|--|--|--|
| Coating (Int):<br>Coating (Ext): | Seam Up: Tongue<br>Seam Dn: n/a | Wall Thickness: 5"<br>Floor Height: 6" | Height (Int): 30"<br>Height (Ext): 36" | Weight (Net): 3362 lb<br>Volume (Net): 0.86cu.yd |
|----------------------------------|---------------------------------|--|--|--|

Job Name: 25-4508 - Georgetown Commons Target  
 Job Location: Georgetown, KY  
 Contractor: Winwater Hartford KY Co.

Plant: 100  
 5/27/2026 8:36:46 PM

Tech: Jared - F  
 PC: A. Chambers



**Structure ID: SSMH 1**

**P1 MH048BA30**

**MH BASE T/n**

- P4) 24" - CASTING HEIGHT - 7"
- P3) 24" - GRADE RING F/F - 4"
- P2) 48" - ECC CONE w/ 24" HOLE F/G - 36"
- P1) 48" - MH BASE T/n - 30"
- 1) JOINT WRAP - 12" WD x 048" MAC WRAP
- 1) 48" - MH INVERT CHANNEL - FULL HEIGHT
- 1) Inflow Dish FOR MC-375
- 1) CASTING - HOE MC-375 F/C GMWSS
- 1) 48" - Conseal CS-102 1.00" (Double)
- 1) A-Lok - 0285
- 2) A-Lok - 0200

0 lb  
 270 lb  
 3000 lb  
 3362 lb  
 0 lb  
 1440 lb  
 2 lb  
 271 lb  
 0 lb  
 1 lb  
 2 lb  
 -----  
 Structure Total: 8348 lb

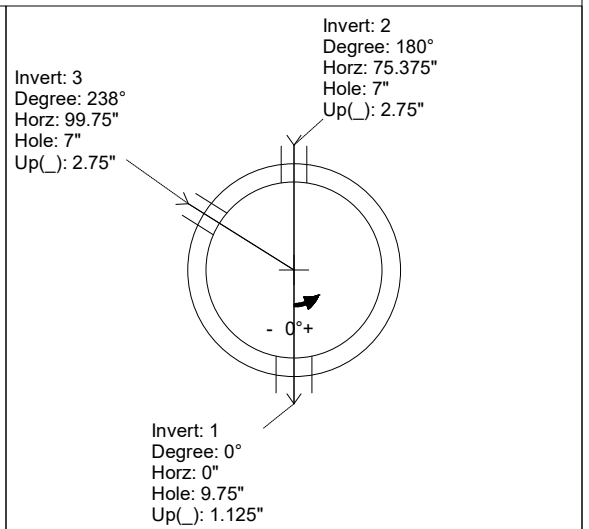
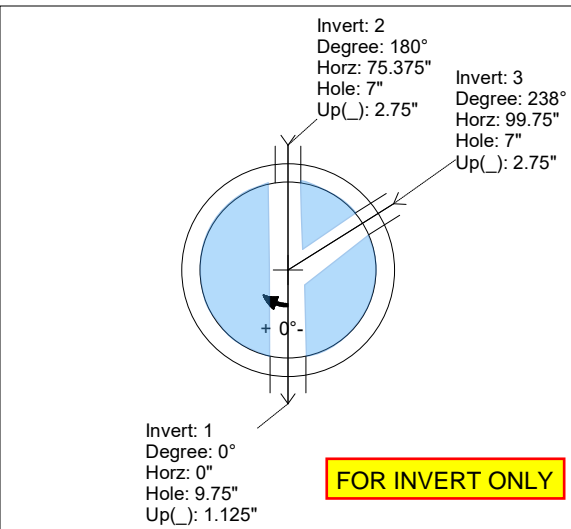
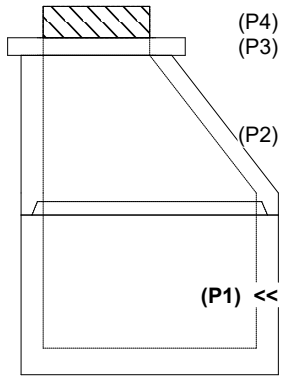
**Structure Notes:**  
 1. PER ASTM C478 SPECIFICATIONS.  
 2. CONCRETE = 4,000 PSI AT 28 DAYS.  
 3. NO STEPS.  
 4. CASTING BY ICAST (HOE MC-375 F/C GMWSS).  
  
 REINFORCING PER ASTM A615 (GRADE 60).  
 - CONE (As .12)  
 - RISER/WALLS (As .12)  
 - FLOOR (As .31) #5 BARS AT 12" C.C.E.W.

Rim: 874.23' Rim to Invert: 6.33' Slack: 0.96" Sump: 2" Step Position:

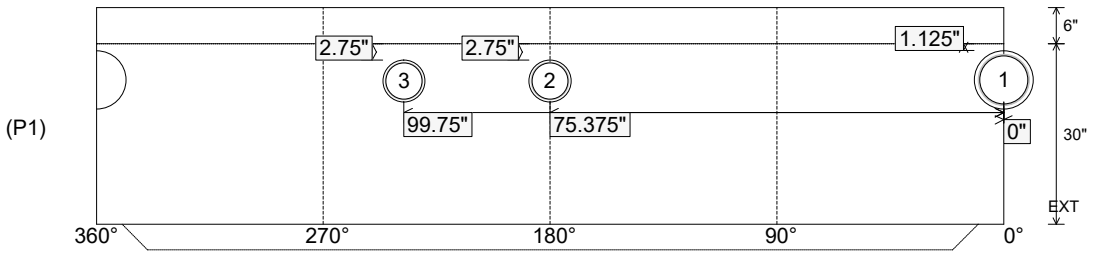
| Position | Elev   | Angle | Ext. (cw) | Pipe         | Pipe OD | Connector  | Hole  | Horz Size | Up ( ) | Offset |
|----------|--------|-------|-----------|--------------|---------|------------|-------|-----------|--------|--------|
| Invert 1 | 867.9' | 0°    | 0"        | 8" PVC SDR35 | 8.5"    | A-Lok 0285 | 9.75" | 9.818"    | 1.125" | 0"     |
| Invert 2 | 868'   | 180°  | 91.125"   | 6" PVC SDR35 | 6.25"   | A-Lok 0200 | 7"    | 7.025"    | 2.75"  | 0"     |
| Invert 3 | 868'   | 238°  | 120.5"    | 6" PVC SDR35 | 6.25"   | A-Lok 0200 | 7"    | 7.025"    | 2.75"  | 0"     |
| Invert 4 |        |       |           |              |         |            |       |           |        |        |
| Invert 5 |        |       |           |              |         |            |       |           |        |        |
| Invert 6 |        |       |           |              |         |            |       |           |        |        |
| Invert 7 |        |       |           |              |         |            |       |           |        |        |
| Invert 8 |        |       |           |              |         |            |       |           |        |        |

RIGHT-SIDE UP VIEW (int. dimensions)

UPSIDE-DOWN VIEW (int. dimensions)



INSIDE WALL DIMENSIONS



|                                  |                                 |  |  |  |
|----------------------------------|---------------------------------|--|--|--|
| Coating (Int):<br>Coating (Ext): | Seam Up: Tongue<br>Seam Dn: n/a | Wall Thickness: 5"<br>Floor Height: 6" | Height (Int): 30"<br>Height (Ext): 36" | Weight (Net): 3362 lb<br>Volume (Net): 0.86cu.yd |
|----------------------------------|---------------------------------|--|--|--|