

Job Name: 25-4508 - Georgetown Commons Target  
 Job Location: Georgetown, KY  
 Contractor: Winwater Hartford KY Co.

Plant: 100  
 5/28/2026 11:25:33 AM

Tech: Jared - F  
 PC: A. Chambers



**Structure ID: 13**

**P1 MH072BAVF**

**MH BASE Custom Ht T/n**

- P3) 24" x 36" - CASTING HEIGHT - 6"
- P2) 72" - MH FLAT TOP w/24"x36" Hole F/G - 15"
- P1) 72" - MH BASE Custom Ht T/n - 67"
- 1) CASTING - HOE 470 SET LV (F/G/H)
- 1) 72" - Conseal CS-102 1.00"
- 1) 24" x 36" - Conseal CS-102 1.00"
- 1) Hole - 30
- 1) Hole - 20
- 2) Hole - 38

0 lb  
 4530 lb  
 11662 lb  
 394 lb  
 0 lb  
 0 lb  
 0 lb  
 0 lb  
 0 lb  
 0 lb  
 0 lb

- Structure Notes:**
1. PER ASTM C478 SPECIFICATIONS.
  2. CONCRETE = 4,000 PSI AT 28 DAYS.
  3. NO STEPS AND NO INVERT CHANNEL.
  4. CASTING BY ICAST (HOE 470 SET LV (F/G/H)).

REINFORCING PER ASTM A615 (GRADE 60).  
 - TOP SLAB (As .62) #5 BARS AT 6" C.C.E.W..  
 - RISER/WALLS (As .18)  
 - FLOOR (As .37) #5 BARS AT 10" C.C.E.W.

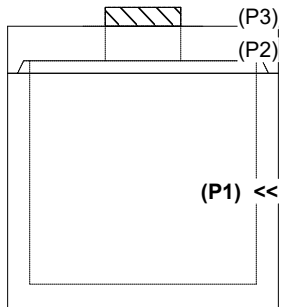
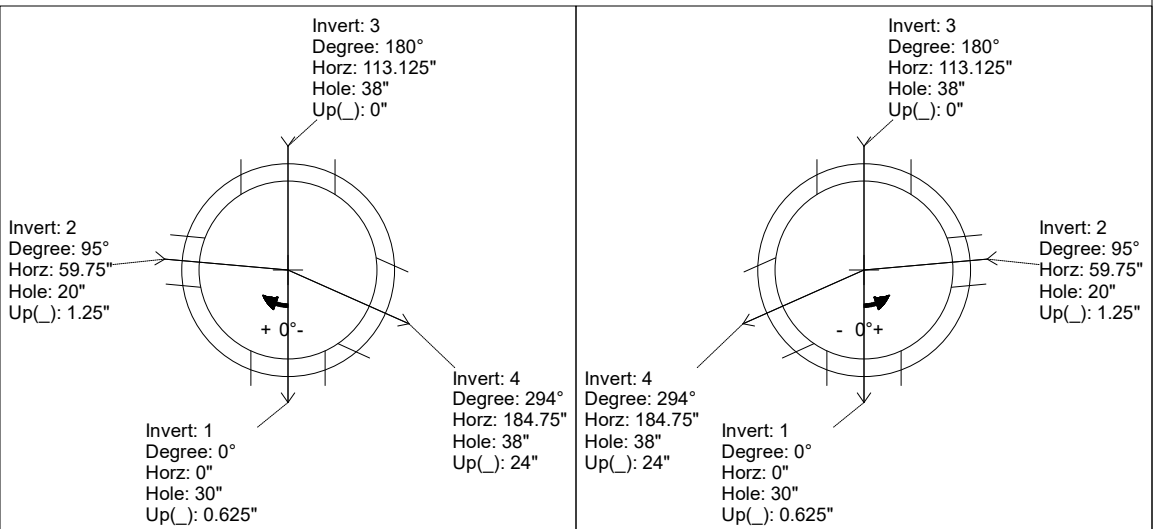
Structure Total: 16586 lb

Rim: 871' Rim to Invert: 7.15' Slack: 0.35" Sump: 2.55" Step Position:

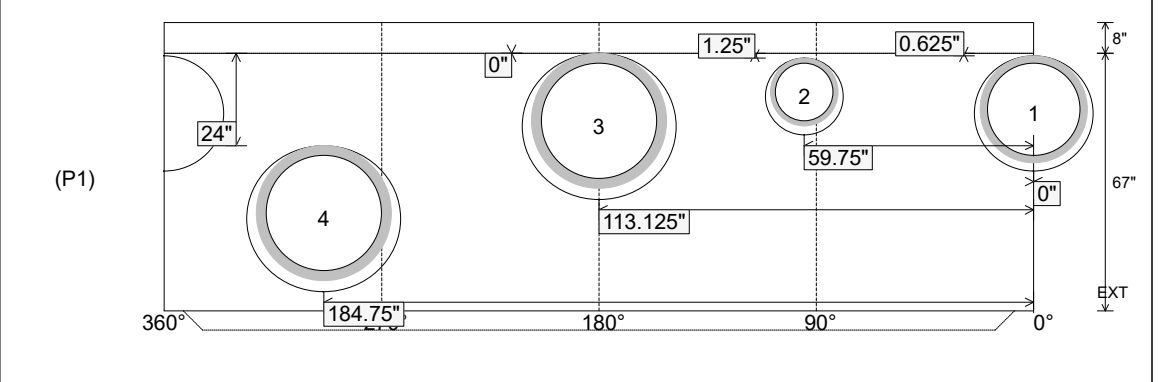
Position	Elev	Angle	Ext. (cw)	Pipe	Pipe OD	Connector	Hole	Horz Size	Up ( )	Offset
Invert 1	863.85'	0°	0"	24" HDPE	27.8"	Hole 30	30"	30.944"	0.625"	0"
Invert 2	863.85'	95°	71.25"	15" HDPE	17.6"	Hole 20	20"	20.267"	1.25"	0"
Invert 3	863.85'	180°	135.125"	30" HDPE	35.1"	Hole 38	38"	40.031"	0"	0"
Invert 4	865.85'	294°	220.625"	30" HDPE	35.1"	Hole 38	38"	40.031"	24"	0"
Invert 5										
Invert 6										
Invert 7										
Invert 8										

RIGHT-SIDE UP VIEW (int. dimensions)

UPSIDE-DOWN VIEW (int. dimensions)



INSIDE WALL DIMENSIONS



Coating (Int): Coating (Ext):	Seam Up: Tongue Seam Dn: n/a	Wall Thickness: 7" Floor Height: 8"	Height (Int): 67" Height (Ext): 75"	Weight (Net): 11662 lb Volume (Net): 2.98cu.yd
----------------------------------	---------------------------------	--	--	---