

Job Name: 25-4508 - Georgetown Commons Target
 Job Location: Georgetown, KY
 Contractor: Winwater Hartford KY Co.

Plant: 100
 5/28/2026 11:25:39 AM

Tech: Jared - F
 PC: A. Chambers



Structure ID: 106 (28)

P1 MH072BAVF

MH BASE Custom Ht F/n

- P3) 24" x 36" - CASTING HEIGHT - 6"
- P2) 72" - MH FLAT TOP w/24"x36" Hole F/F - 10"
- P1) 72" - MH BASE Custom Ht F/n - 65"
- 1) CASTING - HOE 470 SET LV (F/G/H)
- 1) 72" - Conseal CS-102 1.00"
- 1) 24" x 36" - Conseal CS-102 1.00"
- 1) Hole - 38
- 1) Hole - 20
- 2) Hole - 30

0 lb
 4149 lb
 11640 lb
 394 lb
 0 lb
 0 lb
 0 lb
 0 lb
 0 lb
 0 lb
 Structure Total: 16184 lb

Structure Notes:
 1. PER ASTM C478 SPECIFICATIONS.
 2. CONCRETE = 4,000 PSI AT 28 DAYS.
 3. NO STEPS AND NO INVERT CHANNEL.
 4. CASTING BY ICAST (HOE 470 SET LV (F/G/H)).

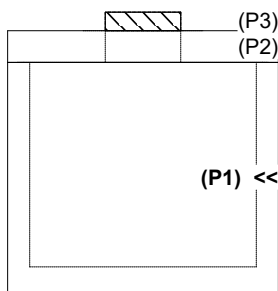
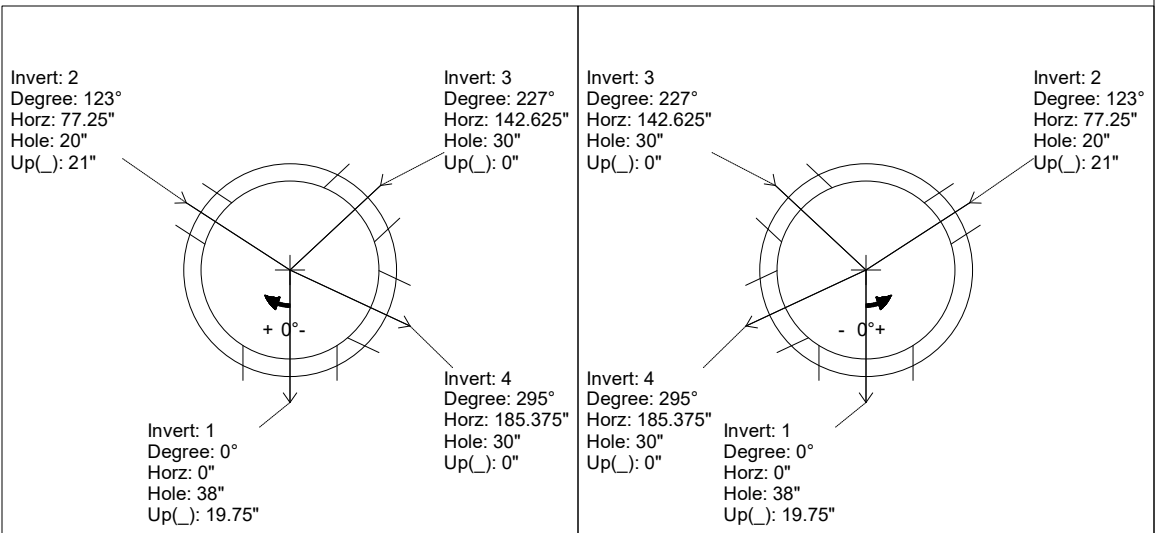
REINFORCING PER ASTM A615 (GRADE 60).
 - TOP SLAB (As .62) #5 BARS AT 6" C.C.E.W..
 - RISER/WALLS (As .18)
 - FLOOR (As .37) #5 BARS AT 10" C.C.E.W.

Rim: 872' Rim to Invert: 6.6' Slack: 0.1' Sump: 1.9' Step Position:

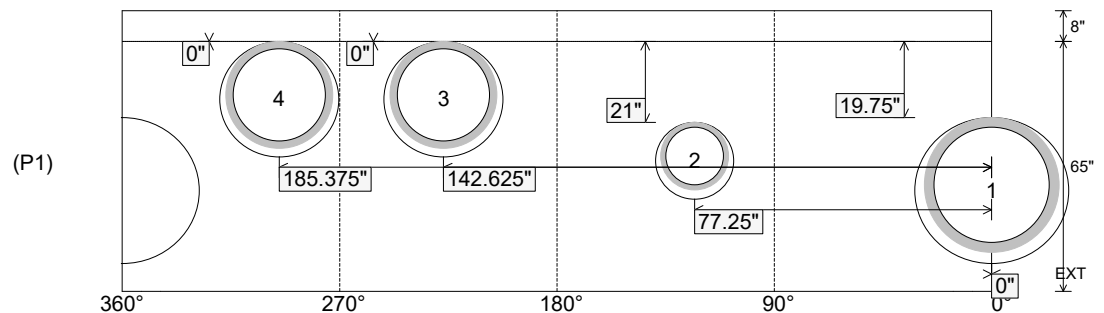
Position	Elev	Angle	Ext. (cw)	Pipe	Pipe OD	Connector	Hole	Horz Size	Up (↓)	Offset
Invert 1	867.1'	0°	0"	30" HDPE	35.1"	Hole 38	38"	40.031"	19.75"	0"
Invert 2	867.1'	123°	92.25"	15" HDPE	17.6"	Hole 20	20"	20.267"	21"	0"
Invert 3	865.4'	227°	170.375"	24" HDPE	27.8"	Hole 30	30"	30.944"	0"	0"
Invert 4	865.4'	295°	221.375"	24" HDPE	27.8"	Hole 30	30"	30.944"	0"	0"
Invert 5										
Invert 6										
Invert 7										
Invert 8										

RIGHT-SIDE UP VIEW (int. dimensions)

UPSIDE-DOWN VIEW (int. dimensions)



INSIDE WALL DIMENSIONS



Coating (Int):
 Coating (Ext):

Seam Up: Flat
 Seam Dn: n/a

Wall Thickness: 7"
 Floor Height: 8"

Height (Int): 65"
 Height (Ext): 73"

Weight (Net): 11640 lb
 Volume (Net): 2.97cu.yd