

Job Name: 26-2380 902433 Security Bank
 Job Location: Kansas City, MO
 Contractor: Contech Engineering Solutions

Plant: Beaver Dam
 5/20/2026 9:31:03 AM

Tech: S. Felletter
 PC: C. Goff



Structure ID: 10-CS-4

P2 MH048RS60S

MH RISER SPECIAL T/G

- P5) 30" - CASTING HEIGHT - 4"
- P4) 48" - MH FLAT LID w/30in ECC Hole F/G - 12"
- P3) 48" - MH RISER T/G - 42"
- P2) 48" - MH RISER SPECIAL T/G - 60"
- P1) 48" - MH BASE T/n - 36"
- 1) CVSTENCILING
- 1) ASSEMBLY REQUIRED
- 3) 48" - Conseal CS-102 1.00"
- 2) Hole - 20
- 1) Hole - 12

0 lb
 1413 lb
 2934 lb
 3873 lb
 3845 lb
 0 lb
 0 lb
 0 lb
 0 lb
 0 lb
 0 lb

 Structure Total: 12066 lb

Structure Notes:
 4" CASTING BY OTHERS

 LIFT ANCHORS TO BE INSTALLED ON THE OUTSIDE OF THE STRUCTURE

 ICAST TO INSTALL THE INTERNALS

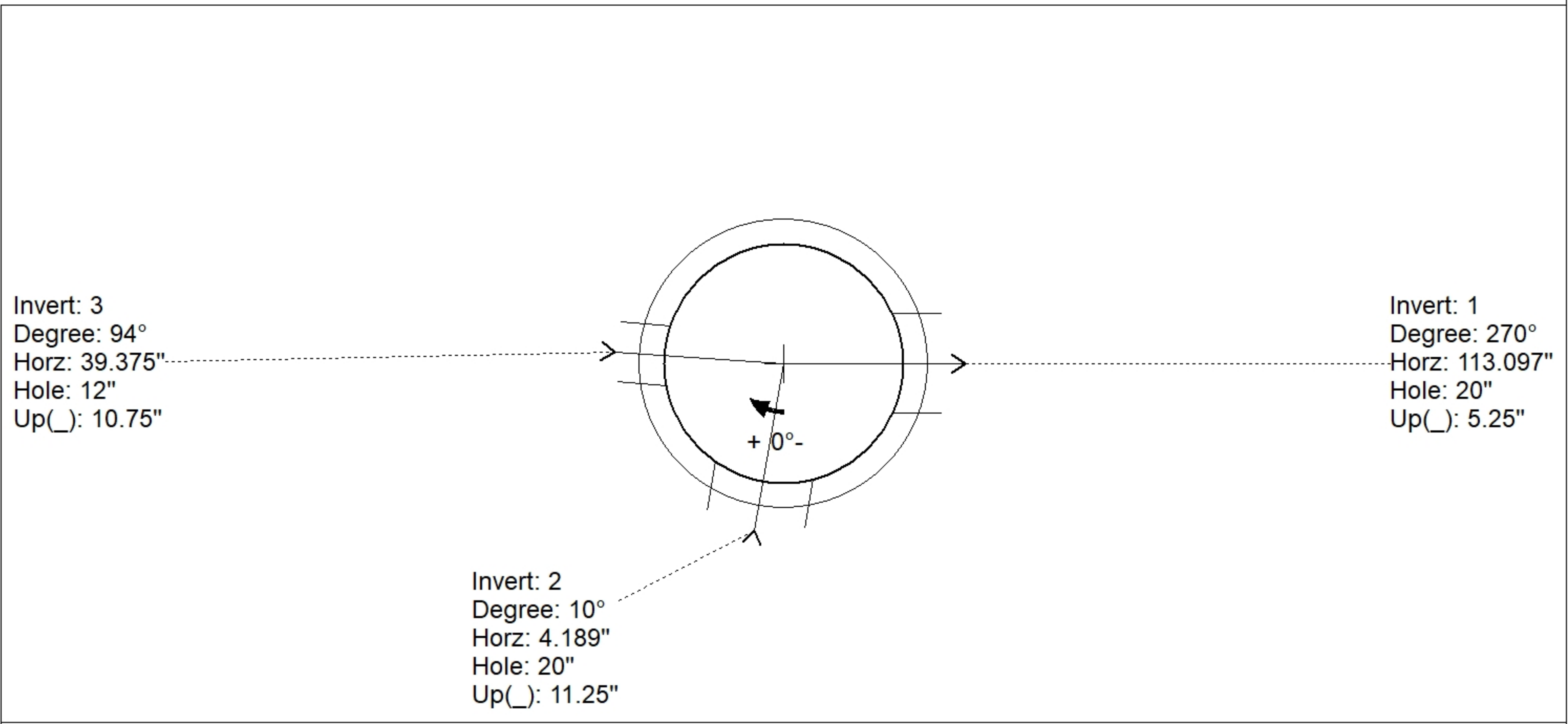
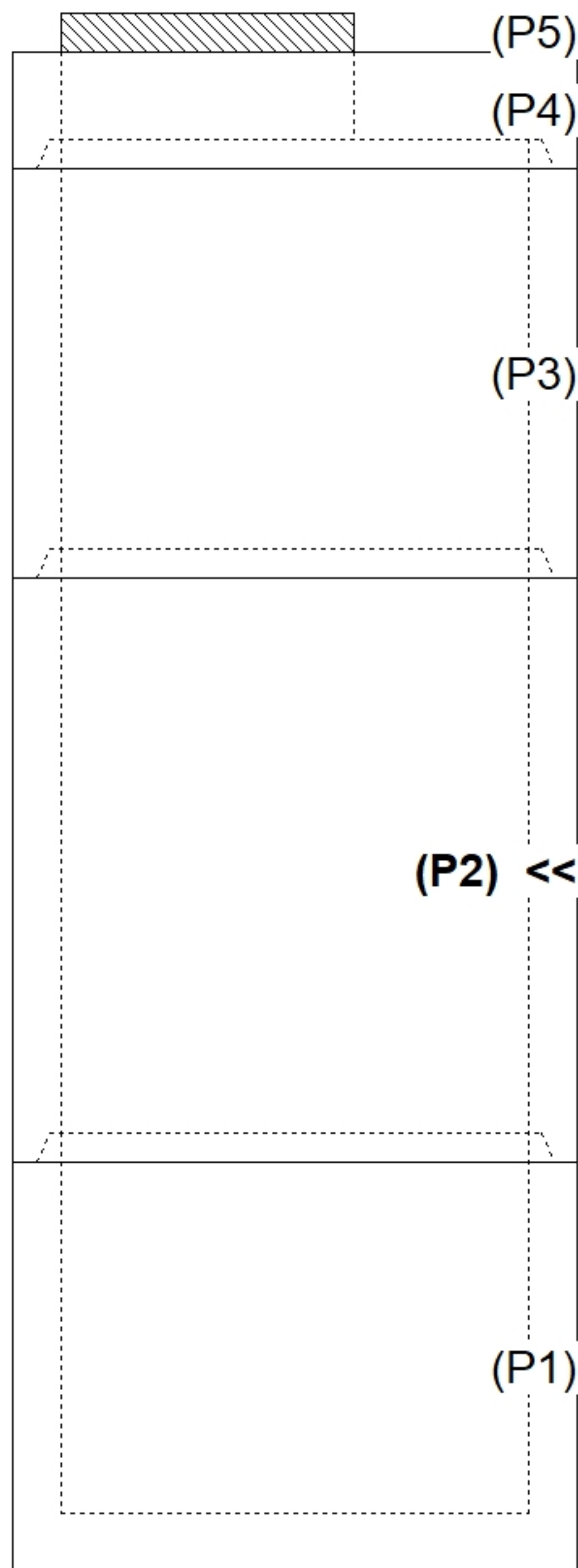
 CONTECH'S LOGO AS WELL AS THE INLET AND OUTLET MUST BE STENCILED ONTO THE STRUCTURE

 P1 BASE & P2 RISER TO BE MECHANICALLY ATTACHED PRIOR TO INSTALL

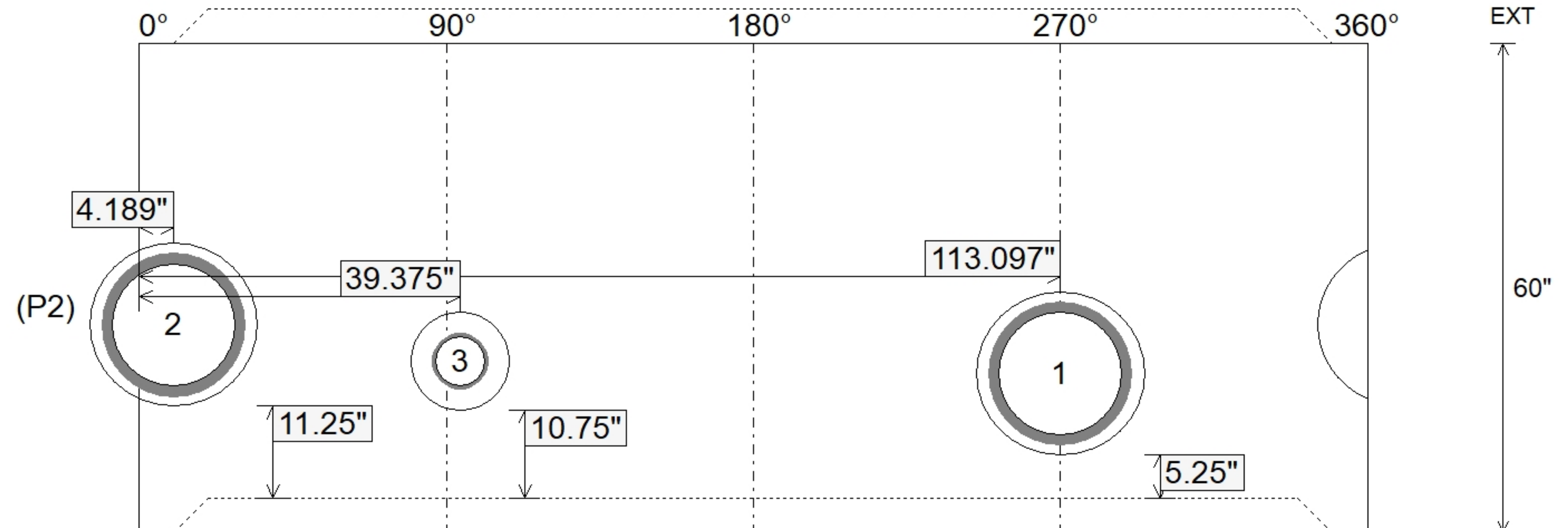
Rim: 1051.06' Rim to Invert: 8.93' Slack: 1.16" Sump: 48" Step Position:

Position	Elev	Angle	Ext. (cw)	Pipe	Pipe OD	Connector	Hole	Horz Size	Up ()	Offset
Invert 1	1042.13'	270°	136.659"	15" HDPE	17.6"	Hole 20	20"	20.629"	5.25"	0"
Invert 2	1042.63'	10°	5.061"	15" HDPE	17.6"	Hole 20	20"	20.629"	11.25"	0"
Invert 3	1042.63'	94°	47.578"	6" HDPE	6.9"	Hole 12	12"	12.129"	10.75"	0"
Invert 4										
Invert 5										
Invert 6										
Invert 7										
Invert 8										

RIGHT-SIDE UP VIEW (int. dimensions)



INSIDE WALL DIMENSIONS



Coating (Int):
 Coating (Ext):

Seam Up: Tongue
 Seam Dn: Groove

Wall Thickness: 5"
 Floor Height: 0"

Height (Int): 60"
 Height (Ext): 60"

Weight (Net): 3873 lb
 Volume (Net): 0.99cu.yd