

Job Name: 25-1684P11 KYTC Jefferson Co. Call 200 (251007)  
 Job Location: I-264 Louisville, Ky.  
 Contractor: Cleary Construction, Inc.

Plant: Beaver Dam, Ky.  
 5/28/2026 1:43:27 PM

Tech: N. Richards  
 PC: J. Jarvis



**Structure ID: 10+27 RT MH-A INLET 45A**

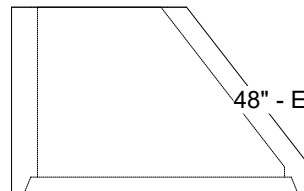
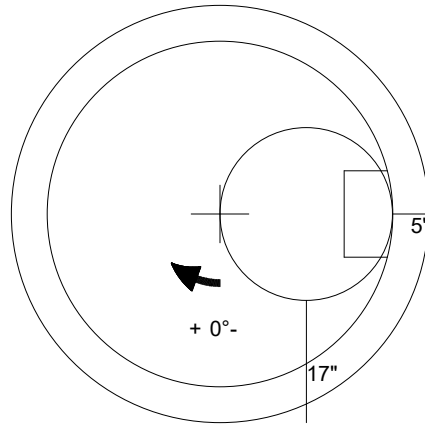
**P2 MH048CN36 ECC CONE w/ 24" HOLE**

- P3) 24" - CASTING HEIGHT - 8"
- P2) 48" - ECC CONE w/ 24" HOLE - 36"
- P1) 48" - MH BASE Custom Ht - 40"
- 1) 48" - Conseal CS-102 1.00"
- 1) 24" - Conseal CS-102 1.00"
- 2) Hole - 30
- 1) Hole - 22
- 6) MH Step ML-10-TDS-NCR - 10"

0 lb  
 3000 lb  
 3328 lb  
 0 lb  
 0 lb  
 0 lb  
 0 lb  
 0 lb  
 -----  
 6328 lb

Structure Notes:  
 -KYTC STATE PROJECT 251007  
 -REINFORCING: PER ASTM C-478 SPECIFICATIONS.  
 -TYPE 2 MANHOLE FRAME & COVER (BY OTHERS).  
 -CS-102 BUTYL REQUIRED (SUPPLIED BY ICAST).  
 -KYTC CERTIFICATIONS REQUIRED.

Structure Total: 6328 lb



48" - ECC CONE w/ 24" HOLE - 36" - (P2)

Coating (Int): Coating (Ext):	Seam Up: Flat Seam Dn: Groove	Wall Thickness: 5"	Height (Ext): 36"	Weight (Net): 3000 lb Volume (Net): 0.5cu.yd
----------------------------------	----------------------------------	--------------------	-------------------	---