

Job Name: 24-1164 Paddy's Run Flood PS	Plant: Beaver Dam, Ky.	Tech: S. Felletter	
Job Location: Louisville, Ky. Contractor: Core & Main LP (Lou)	5/19/2026 8:37:13 AM	PC:	

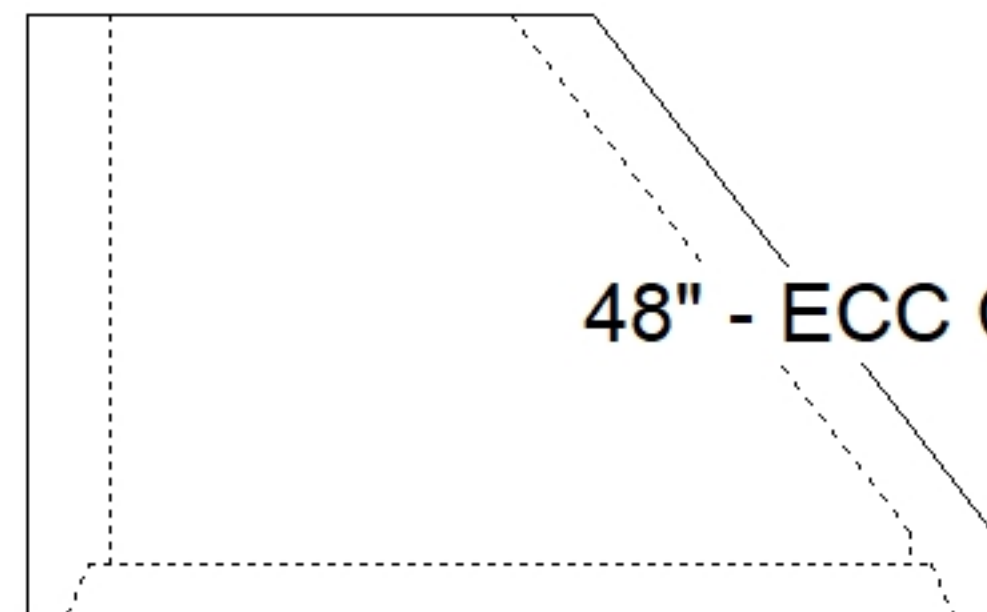
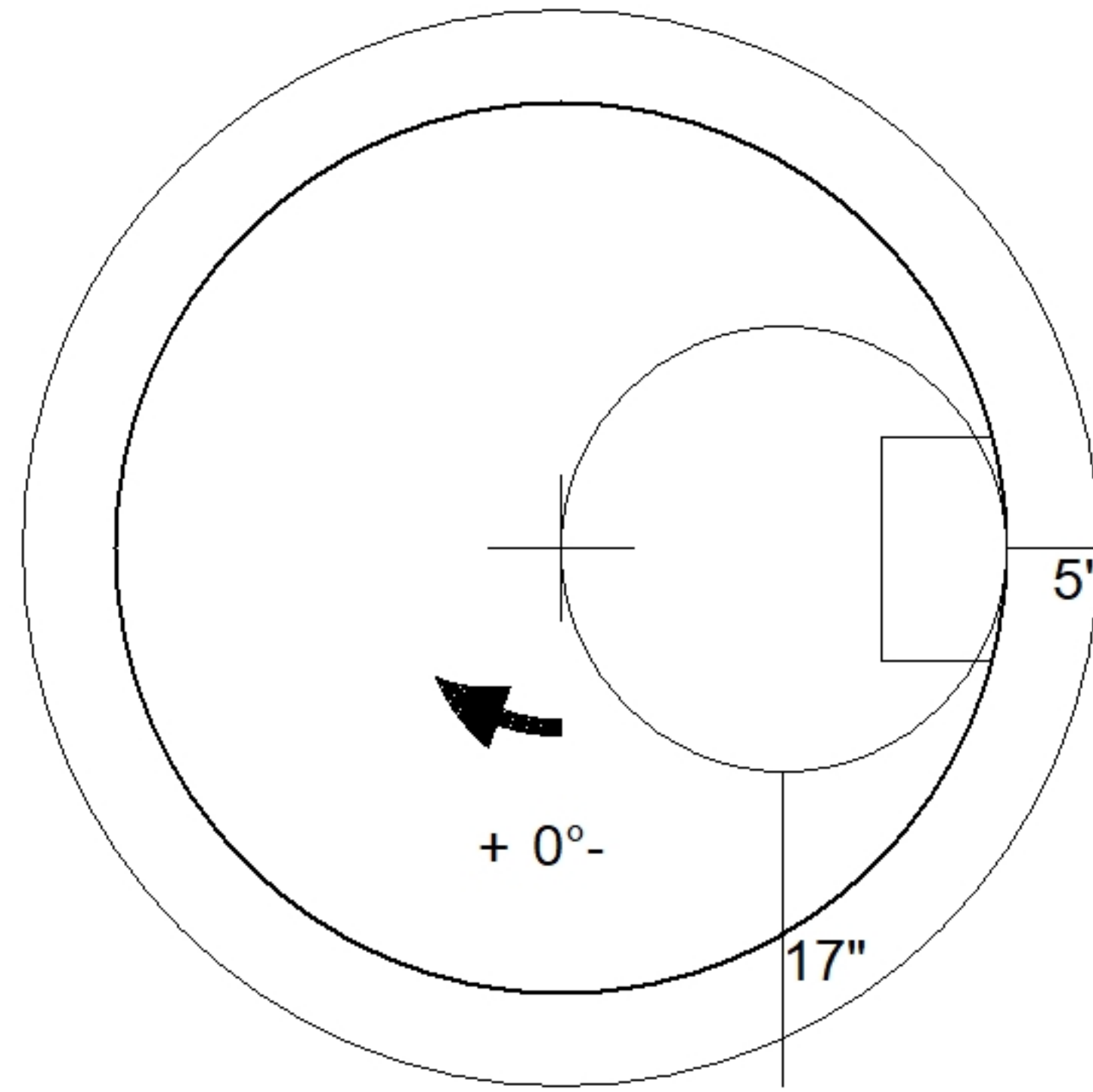
Structure ID: MH 1 (3+75)

P2 MH048CN36

ECC CONE w/ 24" HOLE F/G

P3) 24" - CASTING HEIGHT - 7"	0 lb
P2) 48" - ECC CONE w/ 24" HOLE F/G - 36"	3000 lb
P1) 48" - MH BASE T/n - 30"	3269 lb
1) 48" - STORM INVERT CHANNEL - 1/4 HEIGHT	1075 lb
1) JOINT WRAP - 0.065"x6"x50' CONSEAL CS212	0 lb
1) JOINT WRAP PRIMER - CONSEAL CS-75 (1 gal.)	0 lb
1) Chimney Seal - Trelleborg FlexRib Chimney Seal	10 lb
1) CASTING - HOE WT-420-MSD F/C Storm	340 lb
1) 48" - Conseal CS-102 1.00" (Double)	0 lb
1) PSX - 18M DD	8 lb
1) PSX - 12-06 NYLO	8 lb
5) MH Step ML-10-TDS-NCR - 10"	0 lb
Structure Total:	7710 lb

Structure Notes: 1. PER ASTM C478 & MSD SPECIFICATIONS.
 2. CONCRETE = 5,000 PSI AT 28 DAYS.
 3. CASTING BY ICST (HOE MC-420).
 REINFORCING PER ASTM A615 (GRADE 60).
 - CONE (As .12).
 - RISER/WALLS (As .12).
 - FLOOR (As .31) #5 BARS AT 12" C.C.E.W.



48" - ECC CONE w/ 24" HOLE F/G - 36" - (P2)

Coating (Int): Coating (Ext):	Seam Up: Flat Seam Dn: Groove	Wall Thickness: 5"	Height (Ext): 36"	Weight (Net): 3000 lb Volume (Net): 0.5cu.yd
----------------------------------	----------------------------------	--------------------	-------------------	---