

Job Name: 26-2324 880717 Shepper & Converse Ave	Plant: Beaver Dam	Tech: S. Felletter	
Job Location: Plain City, OH Contractor: Contech Engineering Solutions	5/14/2026 10:49:18 AM	PC: C. Goff	

**Structure ID: 10-CS-8**

**P2 MH096RS72**

**MH RISER T/G**

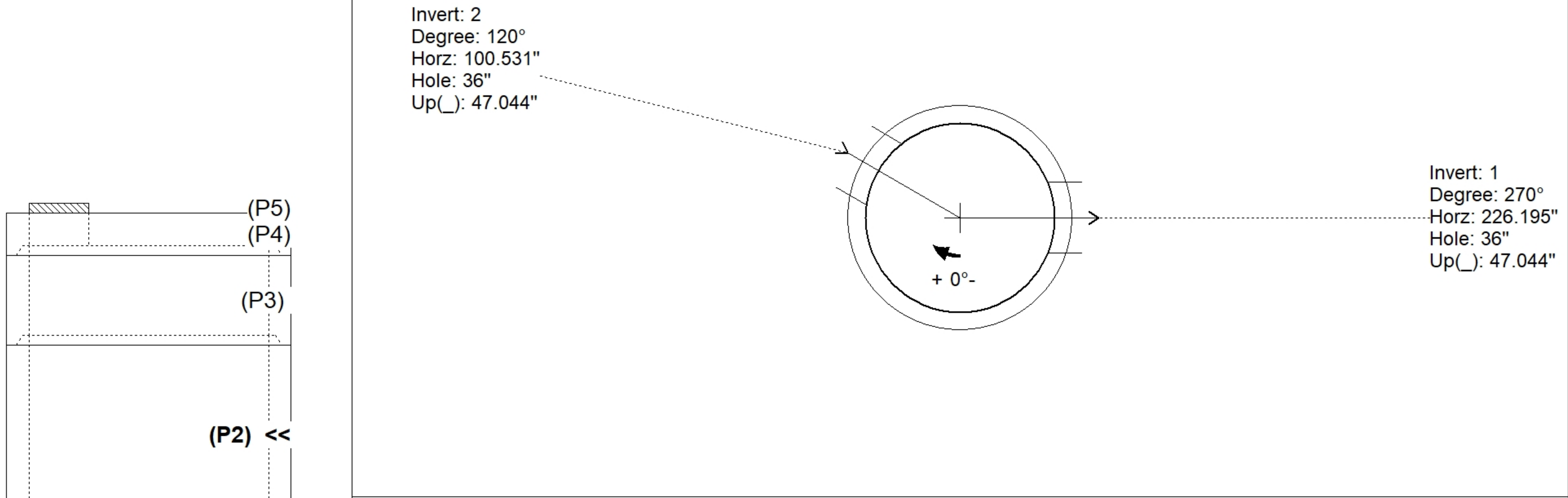
P5) 24" - CASTING HEIGHT - 4"	0 lb
P4) 96" - MH FLAT TOP SPEC. (2 - 24"Ø HOLES) F/G - 17"	10015 lb
P3) 96" - MH RISER T/G - 36"	8292 lb
P2) 96" - MH RISER T/G - 72"	17043 lb
P1) 96" - MH MONOBASE 13F, Custom Ht T/n - 24"	17113 lb
1) CVSTENCILING	0 lb
1) ASSEMBLY REQUIRED	0 lb
3) 96" - Conseal CS-102 1.00"	0 lb
2) Hole - 36	0 lb
<b>Structure Total:</b>	<b>52463 lb</b>

**Structure Notes:** 4" CASTING BY OTHERS LIFTING ANCHORS TO BE INSTALLED ON THE OUTSIDE OF THE STRUCTURE ICAST TO INSTALL INTERNALS CONTECH'S LOGO AS WELL AS THE INLET AND OUTLET MUST BE STENCILED ONTO THE STRUCTURE P2 & P3 RISERS TO BE MECHANICALLY ATTACHED PRIOR TO INSTALL

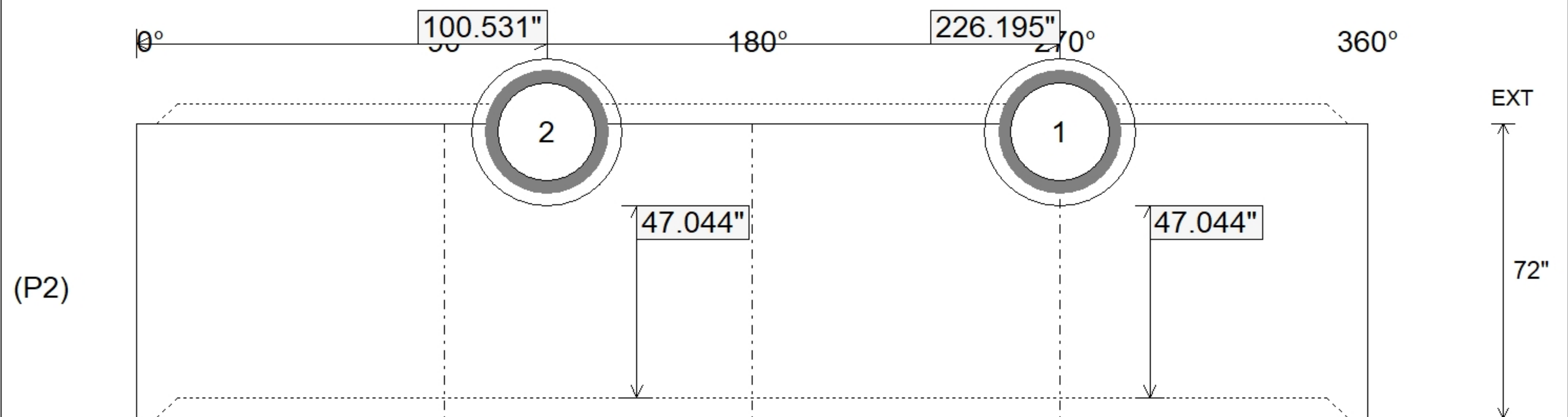
Rim: 928.26' Rim to Invert: 7.2' Slack: 15.444" Sump: 82.044" Step Position:

Position	Elev	Angle	Ext. (cw)	Pipe	Pipe OD	Connector	Hole	Horz Size	Up ( )	Offset
Invert 1	921.06'	270°	268.606"	24" RCP B WALL	30"	Hole 36	36"	36.902"	47.044"	0"
Invert 2	921.06'	120°	119.381"	24" RCP B WALL	30"	Hole 36	36"	36.902"	47.044"	0"
Invert 3										
Invert 4										
Invert 5										
Invert 6										
Invert 7										
Invert 8										

**RIGHT-SIDE UP VIEW (int. dimensions)**



**INSIDE WALL DIMENSIONS**



Coating (Int):	Seam Up: Tongue	Wall Thickness: 9"	Height (Int): 72"	Weight (Net): 17043 lb
Coating (Ext):	Seam Dn: Groove	Floor Height: 0"	Height (Ext): 72"	Volume (Net): 4.35cu.yd