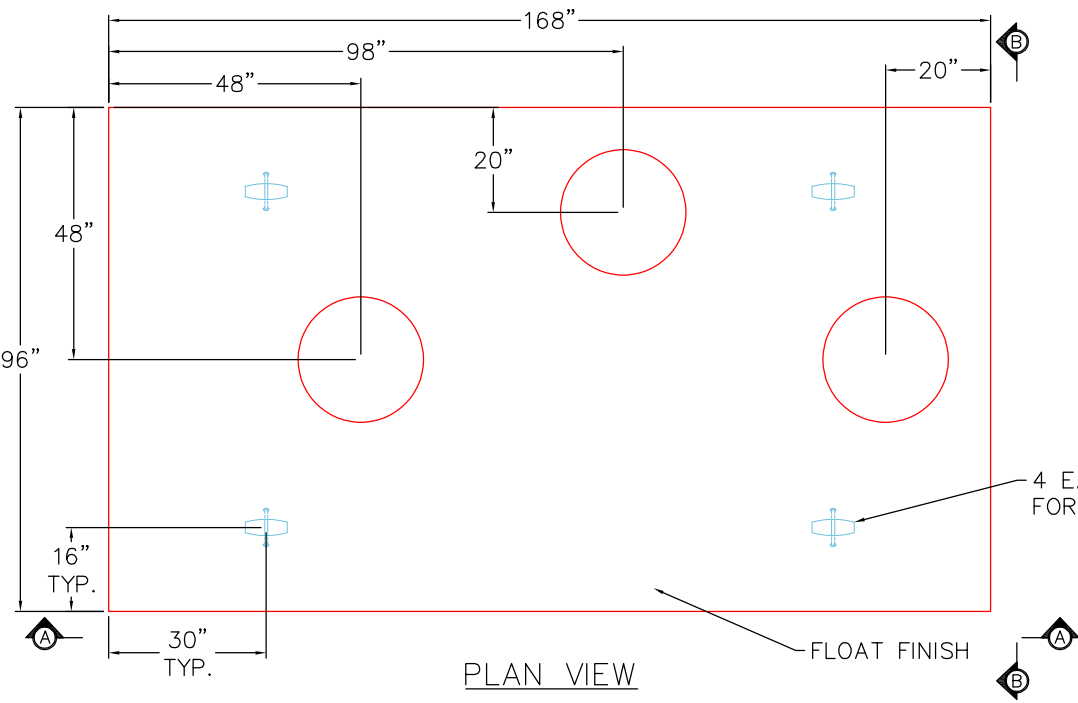
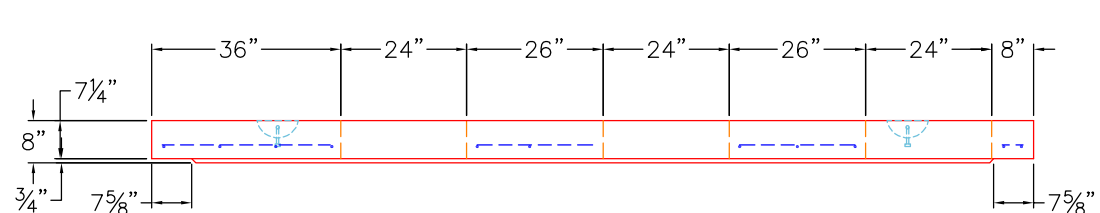


GENERAL NOTES:

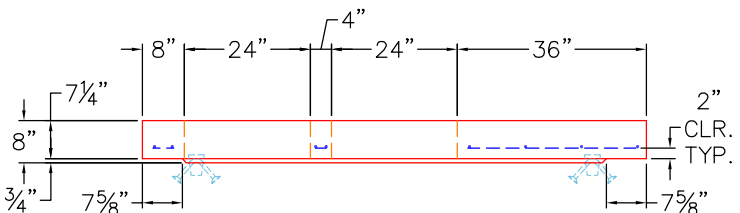
1. MANUFACTURED TO ASTM C-913 (LATEST REVISION).
2. CONCRETE: 5,000 PSI AT 28 DAYS. CONCRETE.
3. REINFORCING: PER ASTM A615 (GRADE 60). AS PER CONTECH VORTECHS DRAWINGS
4. WEIGHTS: TOTAL = 11,082 LBS
5. VAULT JOINT TO BE SEALED WITH CONCRETE SEALANTS, INC. CS-102 ROLL BUTYL MASTIC. (SUPPLIED BY ICAST)
6. STRUCTURE TO HAVE INTERNALS INSTALLED BY ICAST.




PLAN VIEW

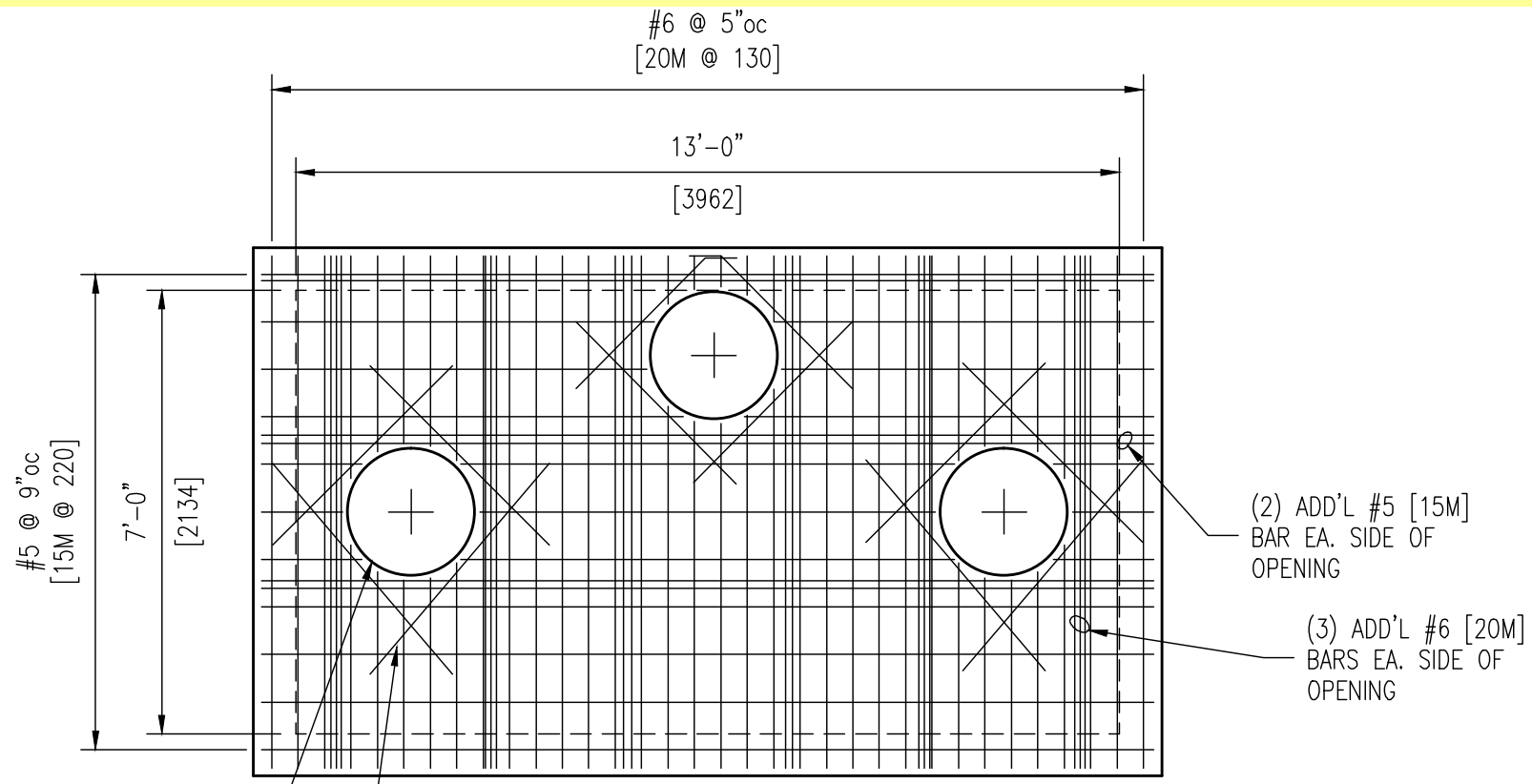


SECTION A-A



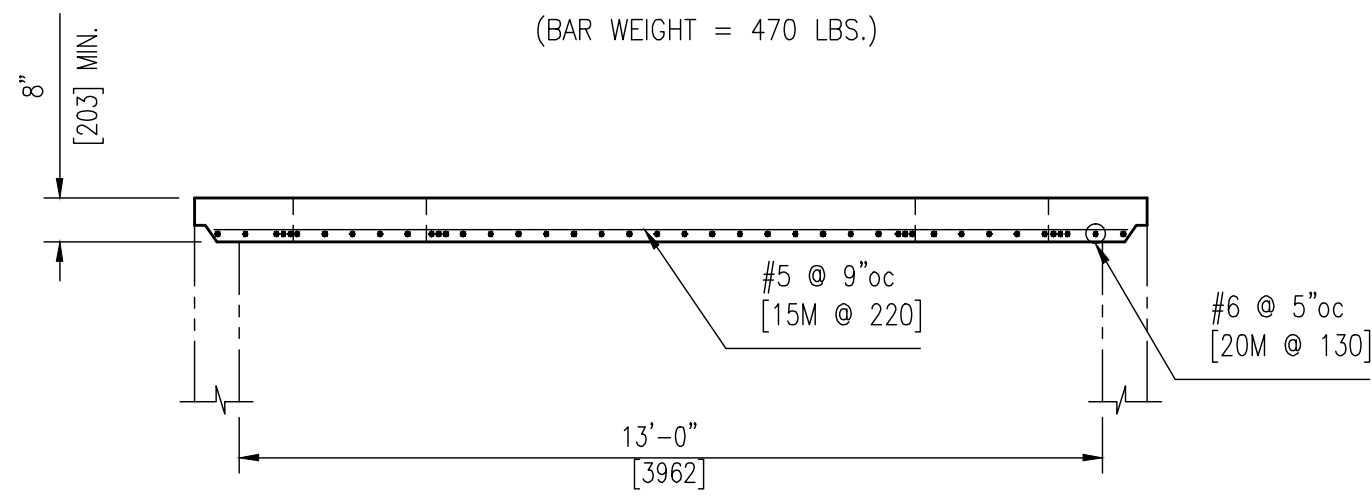
SECTION B-B

PRODUCTION WORK ORDER		PRODUCT I.D.: CTS	DESCRIPTION: 96" X 156" X 7 1/4" VAULT TOP SLAB		
	QUALITY CONTROL CHECKLIST <input type="checkbox"/> ALL DIMENSIONS CORRECT. <input type="checkbox"/> LIFTERS INSTALLED. <input type="checkbox"/> HATCH INSTALLED CORRECT. <input type="checkbox"/> REINFORCING CORRECT. <input type="checkbox"/> SURFACE QUALITY ACCEPTABLE. <input type="checkbox"/> EDGES CHAMFERED. <input type="checkbox"/> ALL PATCHWORK ACCEPTABLE.	PRODUCT VIEW: RIGHT SIDE UP	CUSTOMER: CONTECH ENGINEERING SOLUTIONS		
		PLANT: BEAVER DAM, KY.	PROJECT: 839548 CHICK-FIL-A OSAGE BEACH		
		WEIGHT: 11,082 LBS.	STRUCTURE: 10-VX5000		
		TOP SECTION JOINT: N/A	ORDER NO: 24-3465		
		BASE SECTION JOINT: N/A	PC: C. GOFF	DRAWING: S. FELLETER	
		QC CHECK INITIALS:	DATE: 05/11/26	SCALE: NTS	PG. 1 of 1

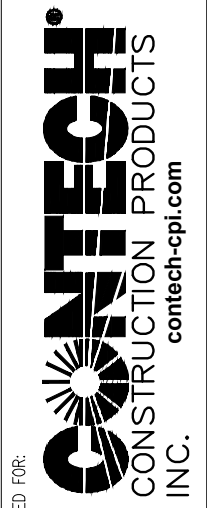
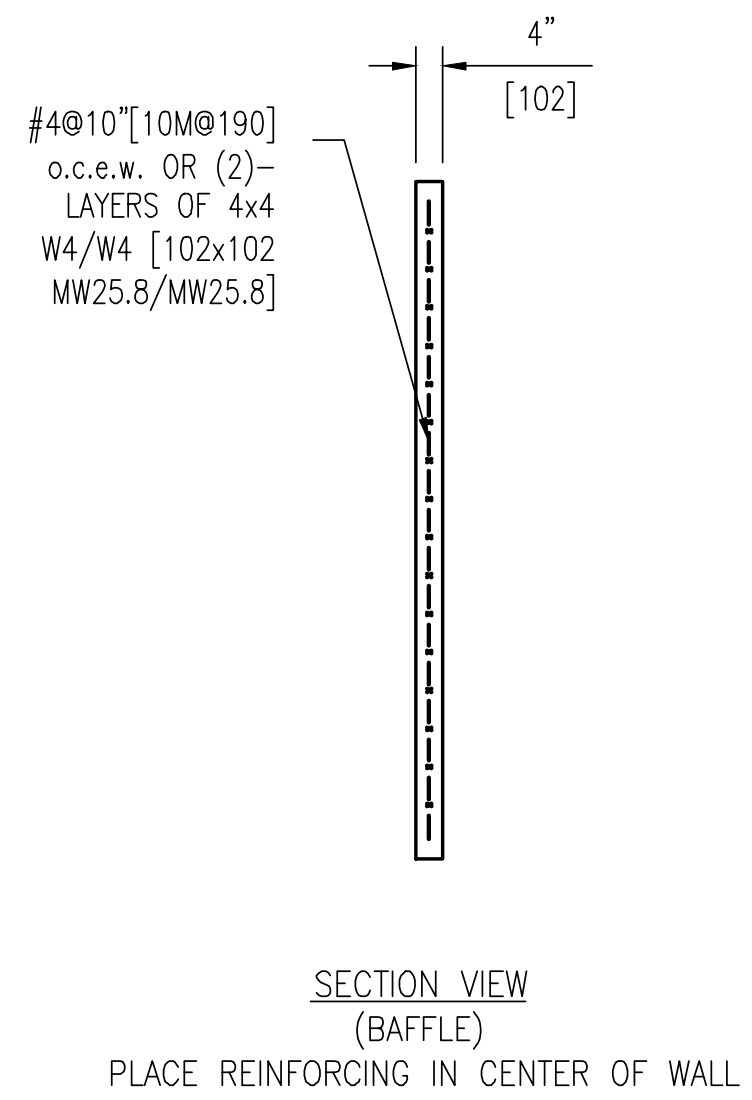


PLAN VIEW
(TOP SLAB)
ALL COVER 2"[51] U.N.O.

(BAR WEIGHT = 470 LBS.)



SECTION VIEW
(TOP SLAB)
ALL COVER 2"[51] U.N.O.



PREPARED FOR:

TITLE: VORTECHS MODEL 5000 - BASE & ROOF SLABS & BAFFLE

PROJECT: VORTECHS	DATE: 10/2009
DRAWN BY: GJP	JOB No: 2007.025.033
CHECKED BY: JTL	NUMBER: MOD5KSLAB
SCALE: NONE	

