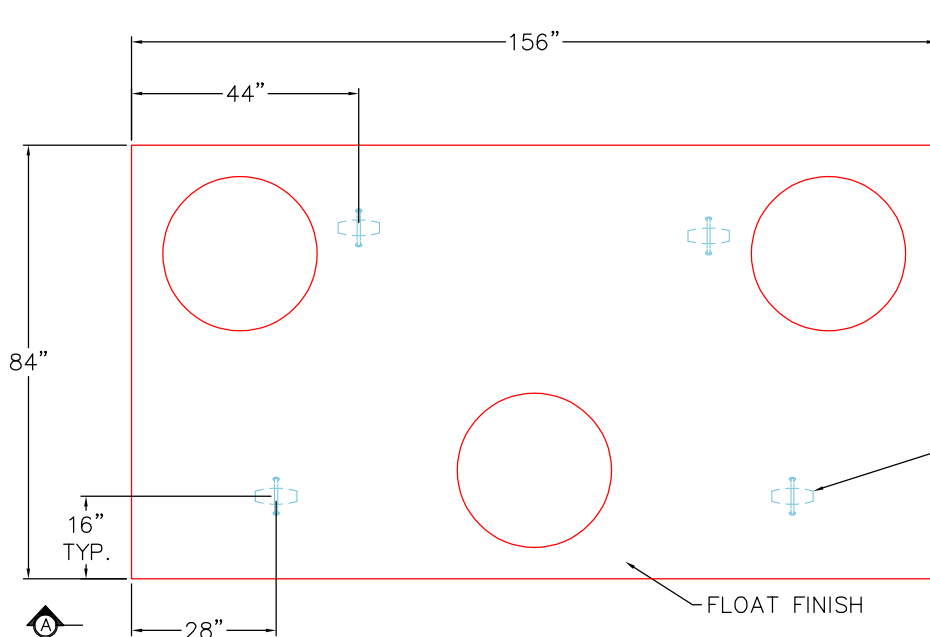


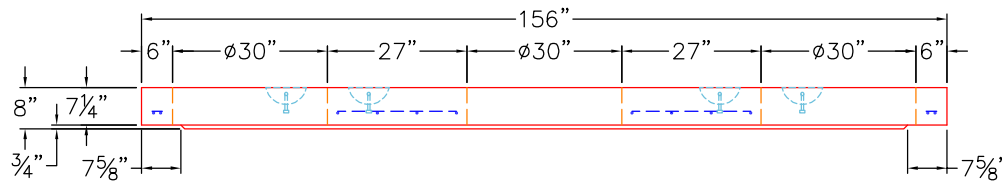
GENERAL NOTES:

1. MANUFACTURED TO ASTM C-913 (LATEST REVISION).
2. CONCRETE: 5,000 PSI AT 28 DAYS. CONCRETE.
3. REINFORCING: PER ASTM A615 (GRADE 60). AS PER CONTECH STORMFILTER DRAWINGS
4. WEIGHTS: TOTAL = 7,850 LBS
5. VAULT JOINT TO BE SEALED WITH CONCRETE SEALANTS, INC. CS-102 ROLL BUTYL MASTIC. (SUPPLIED BY ICAST)
6. STRUCTURE TO HAVE INTERNALS INSTALLED BY ICAST.
9. INLET & OUTLET PIPE OPENINGS TO BE STENCILED ONTO THE OUTSIDE OF THE PRODUCT.

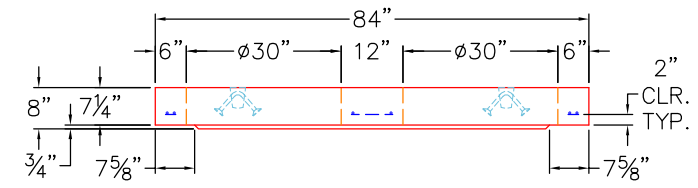


4 EA. CONAC 4CA14 ANCHORS FOR PLANT & FIELD HANDLING.


PLAN VIEW



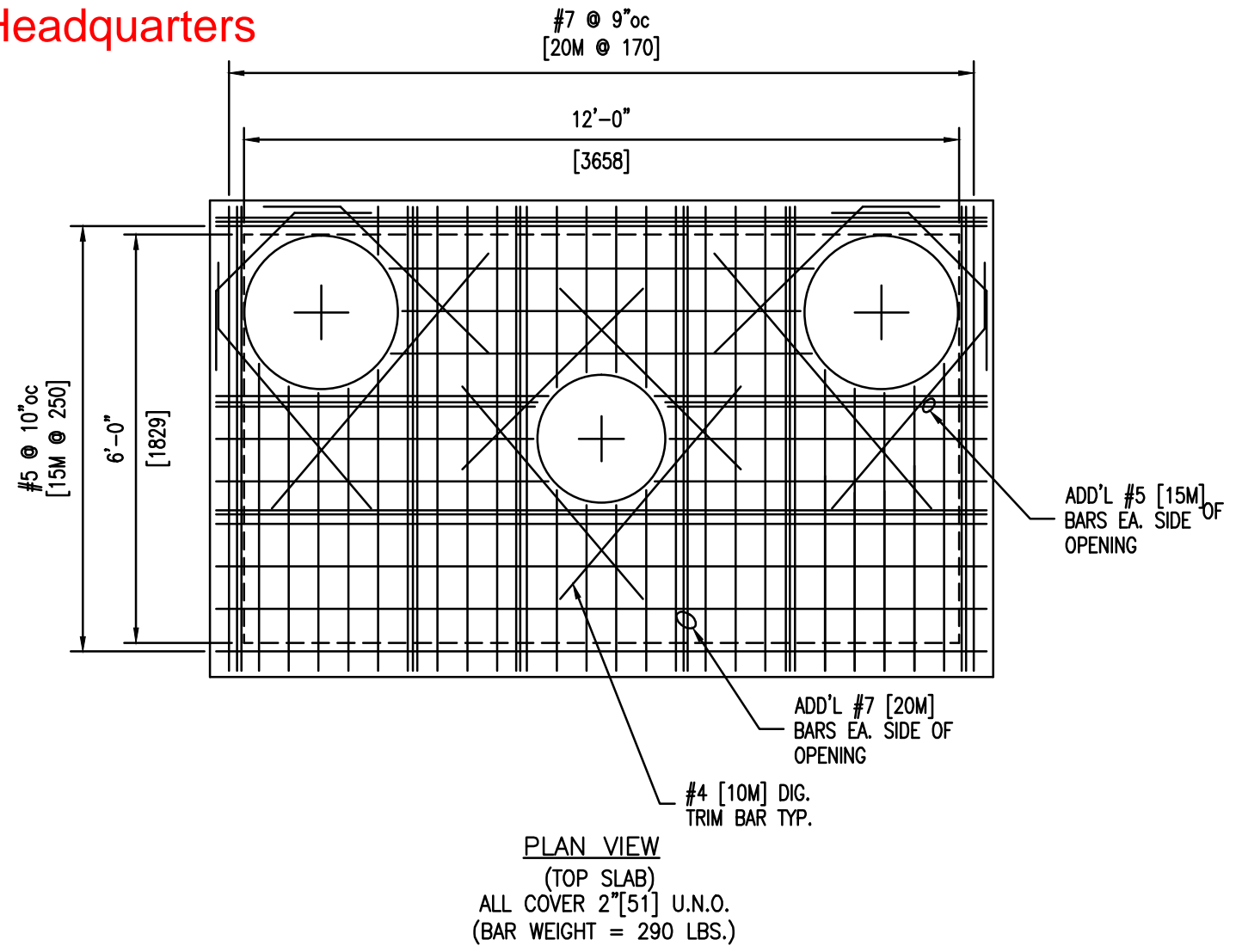
SECTION A-A



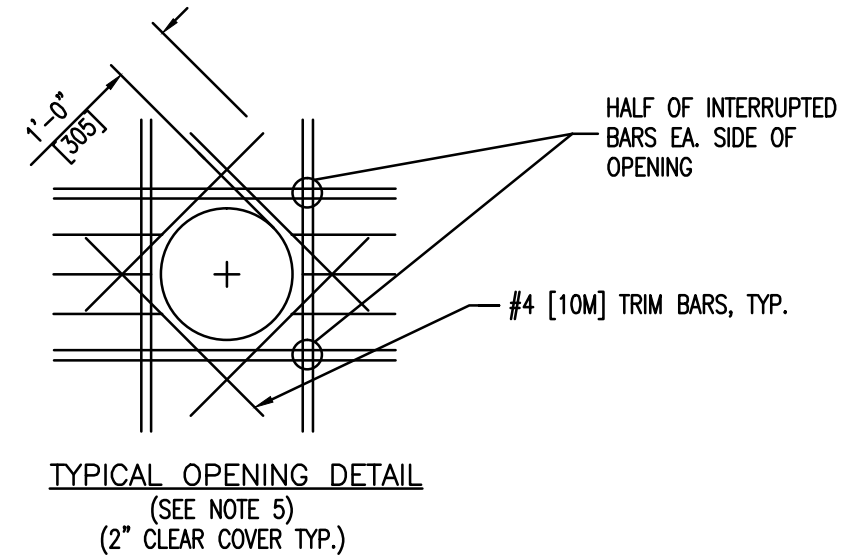
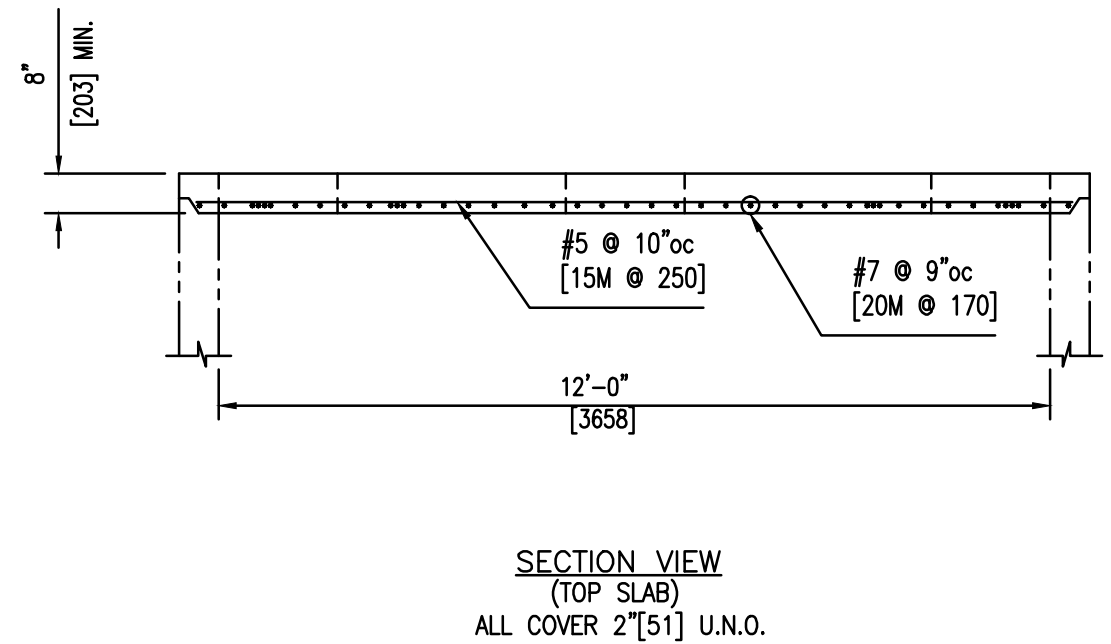
SECTION B-B

<p>PRODUCTION WORK ORDER</p>		<p>PRODUCT I.D.: BX072144-08LD06S</p>	<p>DESCRIPTION: 84" X 156" X 7 1/4" VAULT TOP SLAB</p>		
	<p>QUALITY CONTROL CHECKLIST</p>	<p>PRODUCT VIEW: RIGHT SIDE UP</p>	<p>CUSTOMER: CONTECH ENGINEERING SOLUTIONS</p>		
	<ul style="list-style-type: none"> <input type="checkbox"/> ALL DIMENSIONS CORRECT. <input type="checkbox"/> LIFTERS INSTALLED. <input type="checkbox"/> HATCH INSTALLED CORRECT. <input type="checkbox"/> REINFORCING CORRECT. <input type="checkbox"/> SURFACE QUALITY ACCEPTABLE. <input type="checkbox"/> EDGES CHAMFERED. <input type="checkbox"/> ALL PATCHWORK ACCEPTABLE. 	<p>PLANT: BEAVER DAM, KY.</p>	<p>PROJECT: 830197 TSSAA HEADQUARTERS</p>		
		<p>WEIGHT: 7,850 LBS.</p>	<p>STRUCTURE: 20-KFPD0612</p>		
		<p>TOP SECTION JOINT: N/A</p>	<p>ORDER NO: 26-2210</p>		
		<p>BASE SECTION JOINT: N/A</p>	<p>PC: C. GOFF</p>	<p>DRAWING: S. FELLETER</p>	
		<p>QC CHECK INITIALS:</p>	<p>DATE: 05/06/26</p>	<p>SCALE: NTS</p>	<p>PG. 1 of 1</p>

26-2210
 830197 TSSAA Headquarters
 20-KFPD0612



REFERENCE CONTECH DRAWINGS FOR OPENING SIZES AND LOCATIONS, 36"φ MAX.



PREPARED FOR: PROJECT: STORMFILTER DRAWN BY: KMK CHECKED BY: SLV SCALE: NONE	DATE: 6/2010 JOB No: 2008.025.064 NUMBER: SFCX12
	TITLE: STORMFILTER 6 X 12 - BASE & ROOF SLAB & BAFFLE
	PREPARED BY: DELTA <small>ENGINEERING, ARCHITECTURE, & LAND-SCAPE ARCHITECTURE</small> 184 COURT STREET, BINGHAMTON, NY 13901 TEL: (607) 231-6600 FAX: (607) 231-6650
	PROJECT: STORMFILTER DRAWN BY: KMK CHECKED BY: SLV SCALE: NONE