

Job Name: 26-1227 - Project Colt  
 Job Location: Evansville, IN  
 Contractor: Russell's Excavating

Plant: 100  
 5/12/2026 11:30:21 AM

Tech: Jared - F  
 PC: A. Chambers



**Structure ID: 109-19 MHK**

**P1 MH072BAVF**

**MH BASE Custom Ht F/n**

- P3) 24" x 36" - CASTING HEIGHT - 4"
- P2) 72" - MH FLAT TOP w/24"x36" Hole F/F - 10"
- P1) 72" - MH BASE Custom Ht F/n - 72"
- 1) CASTING - HOE 518 F/G
- 1) 72" - Conseal CS-102 1.00"
- 1) 24" x 36" - Conseal CS-102 1.00"
- 2) Hole - 50
- 2) Hole - 6
- 6) MH Step ML-10-TDS-NCR - 10"

0 lb  
 4149 lb  
 11857 lb  
 354 lb  
 0 lb  
 0 lb  
 0 lb  
 0 lb  
 0 lb  
 0 lb  
 Structure Total: 16360 lb

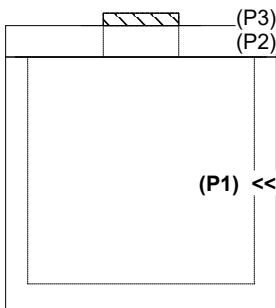
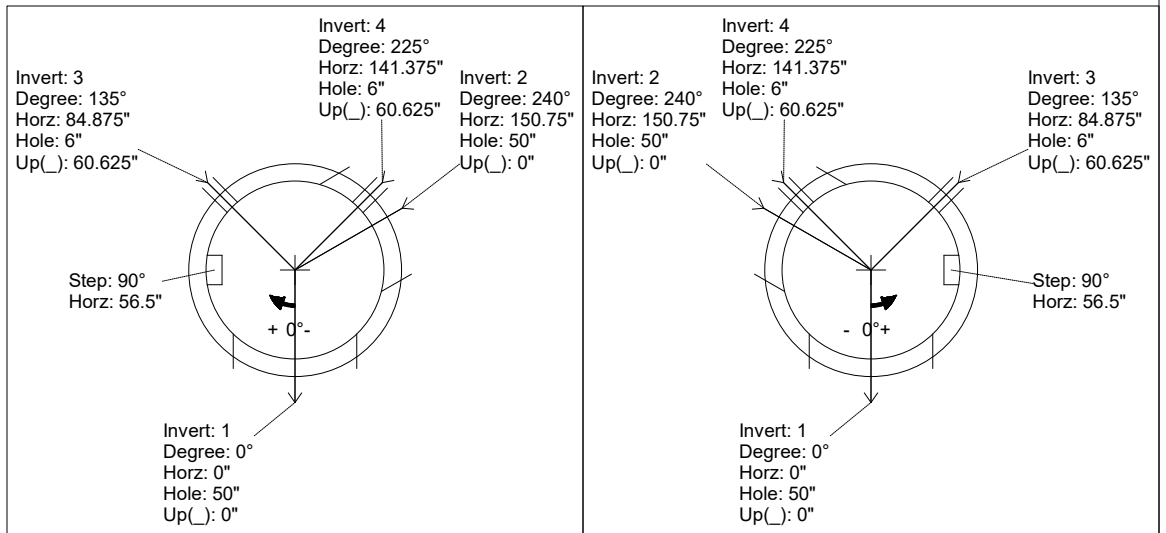
**Structure Notes:**  
 1. INDOT MH TYPE K / ASTM C478 SPEC'S.  
 2. CONCRETE = 4,000 PSI AT 28 DAYS.  
 3. NO INVERT CHANNEL.  
 4. CASTING BY ICAST (HOE 518 F/G).  
  
 REINFORCING PER ASTM A615 (GRADE 60).  
 - TOP SLAB (As .62) #5 BARS AT 6" C.C.E.W..  
 - RISER/WALLS (As .18)  
 - FLOOR (As .37) #5 BARS AT 10" C.C.E.W.

Rim: 382.15' Rim to Invert: 6.98' Slack: 0.88" Sump: 3.12" Step Position: 90°

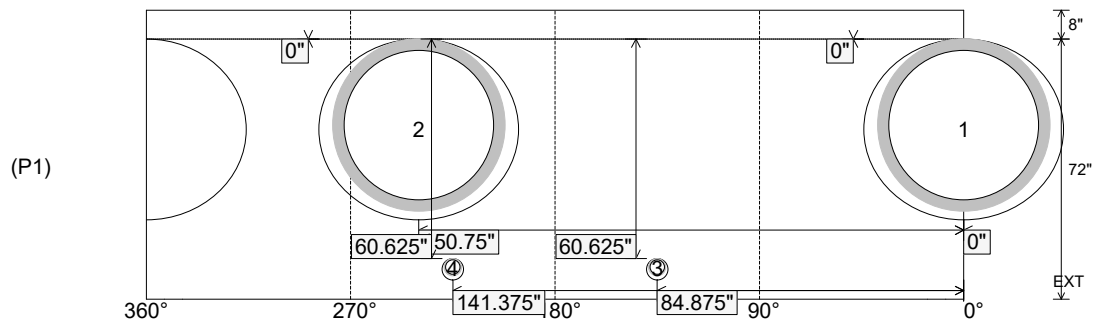
Position	Elev	Angle	Ext. (cw)	Pipe	Pipe OD	Connector	Hole	Horz Size	Up ( )	Offset
Invert 1	375.17'	0°	0"	42" HDPE	47.7"	Hole 50	50"	55.271"	0"	0"
Invert 2	375.17'	240°	180.125"	42" HDPE	47.7"	Hole 50	50"	55.271"	0"	0"
Invert 3	380'	135°	101.375"	4" HDPE (perf pipe)	4.8"	Hole 6	6"	6.007"	60.625"	0"
Invert 4	380'	225°	168.875"	4" HDPE (perf pipe)	4.8"	Hole 6	6"	6.007"	60.625"	0"
Invert 5										
Invert 6										
Invert 7										
Invert 8										

RIGHT-SIDE UP VIEW (int. dimensions)

UPSIDE-DOWN VIEW (int. dimensions)



INSIDE WALL DIMENSIONS



Coating (Int): Coating (Ext):	Seam Up: Flat Seam Dn: n/a	Wall Thickness: 7" Floor Height: 8"	Height (Int): 72" Height (Ext): 80"	Weight (Net): 11857 lb Volume (Net): 3.03cu.yd
----------------------------------	-------------------------------	--	--	---